

Hall closed loop variable range current sensor

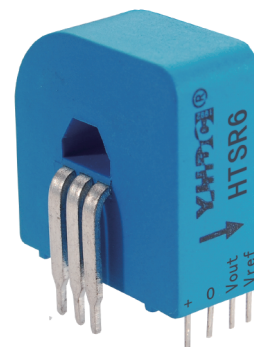


Model: HTSR6-3

Closed loop, busbar built-in, PCB welding type;
Change the connection mode of a bus variable three range.

Technical Index:

- Flame resistance: UL94-V0
- Working temperature: $-25 \sim +70^{\circ}\text{C}$
- Storage temperature: $-25 \sim +70^{\circ}\text{C}$
- Band width: DC \sim 150kHz
- Dielectric strength: 3KV 50Hz 1min

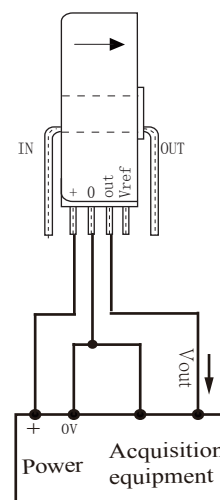


Electrical parameters:

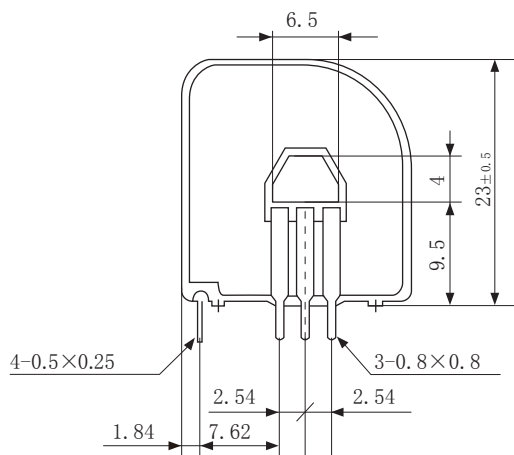
| | | | |
|--------------|-----------------------------|------------------|---------------------|
| I_P | Rated input | ± 6 | A |
| I_{PM} | Input measured range | ± 9 | A |
| V_{OUT} | Rated output | 1.65 ± 0.625 | V |
| X | Accuracy | 1 | % |
| ϵ_L | Linearity | 0.1 | % |
| V_C | Supply voltage($\pm 5\%$) | +3.3 | V |
| I_C | Current consumption | ≤ 20 | mA + I _s |
| R_L | Load impedance | $\geq 10K$ | Ω |
| V_{OE} | Zero offset TA=25 C | $\leq \pm 15$ | mV |
| T_R | Response time | ≤ 0.5 | μs |
| N.W | Weight | 9 | g |

| Primary turns | Rated input (A) | Rated output (V) | connection way of primary pins |
|---------------|-----------------|------------------|--------------------------------|
| 1 | ± 6 | 1.65 ± 0.625 | |
| 2 | ± 3 | 1.65 ± 0.625 | |
| 3 | ± 2 | 1.65 ± 0.625 | |

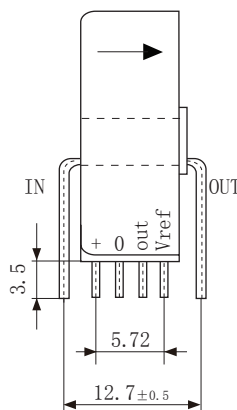
Connection diagram:



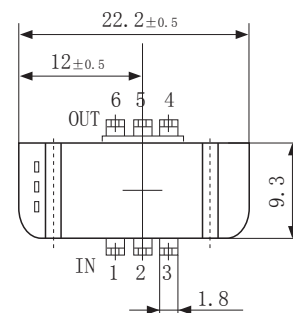
Dimensions (in mm) :



Front view



Side view



Bottom view