

Hall closed loop variable range current sensor **YHDC**® 1992

Model: HTS15-3

Closed loop, busbar built-in, PCB welding type;
Change the connection mode of a bus variable three range.

Technical Index:

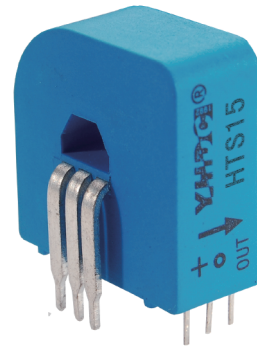
Flame resistance: UL94-V0

Working temperature: -25~+70℃

Storage temperature: -25~+70℃

Band width: DC~150kHz

Dielectric strength: 3KV 50Hz 1min

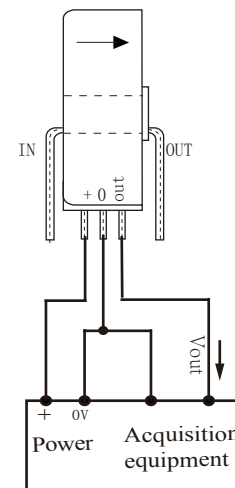


Electrical parameters:

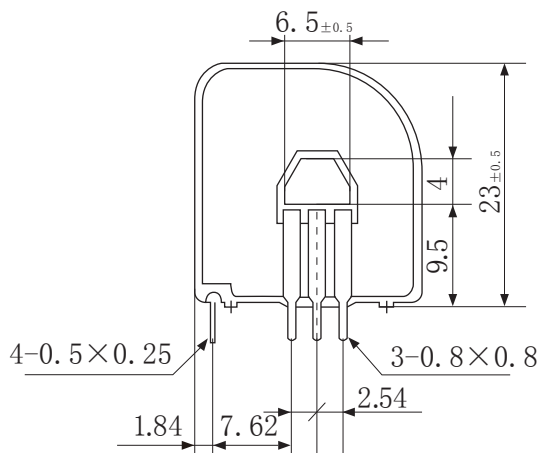
I_{PN}	Rated input	± 15	A
I_{PM}	Input measured range	± 22.5	A
V_{OUT}	Rated output	1.65 ± 0.625	V
X	Accuracy	1	%
ϵ_L	Linearity	0.1	%
V_C	Supply voltage(±5%)	+3.3	V
I_C	Current consumption	≤ 20	mA+I _s
R_L	Load impedance	$\geq 10K$	Ω
V_{OE}	Zero offset TA=25℃	$\leq \pm 15$	mV
T_R	Response time	≤ 0.5	μs
N.W	Weight	9	g

Primary turns	Rated input (A)	Rated output (V)	connection way of primary pins
1	± 15	1.65 ± 0.625	
2	± 7.5	1.65 ± 0.625	
3	± 5	1.65 ± 0.625	

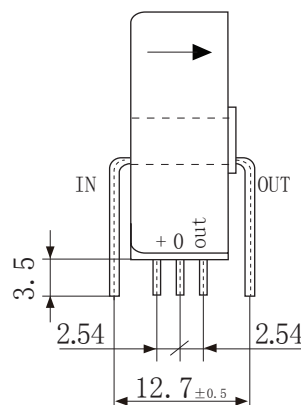
Connection diagram:



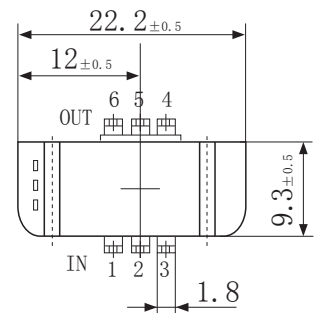
Dimensions (in mm) :



Front view



Side view



Bottom view