

HSTS08L/G



Detect DC, AC and pulse current, high insulation between primary side and the vice side circuit.

Product picture printing is for reference only, subject to the actual product

Product application

- Metallurgy
- Welding machine
- Robot
- Inverter power
- Inverter speed controller
- UPS uninterruptible power supply

Product features

- Light weight
- Low power consumption
- No insertion loss
- Fast response time
- Small size and beautiful appearance
- Suspended mounting and easy to use



Electrical parameters: the following parameters are typical values, the actual values shall be subject to the actual measurement of the product

Rated input	±10A	±20A
Input measurement range	±20A	±20A
Rated output	2.5V±0.625V	
Accuracy	1% (-10~+70°C)	
Linearity	0.2%	
Rated supply voltage	+5V±5%	
Absolute maximum voltage	< 7V ^{(1) (2)}	
Current consumption	≤12mA+I _s	
Load impedance	≥10KΩ	
Zero offset voltage	≤±15mV	
Response time	≤1μs	
Weight	22g	
Operation temperature	-25~+70°C	
Storage temperature	-25~+70°C	
Band width	DC	
Dielectric strength	2.5KV 50Hz 1min	

Calculation formula: $2.5V \pm 0.625V$

Forward direction: $2.5 + (I/I_{PN}) * 0.625$

Reverse direction: $2.5 - (I/I_{PN}) * 0.625$

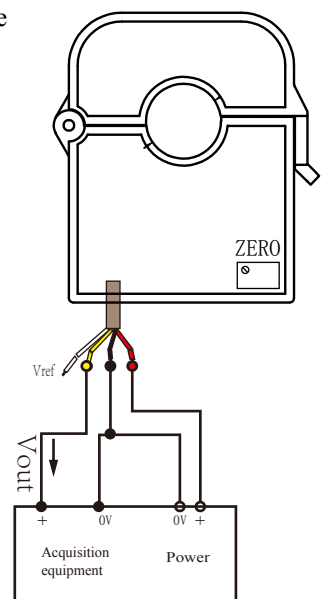
I: Actual measured current

I_{PN}: Rated input current

Cable specification:

0.1mm² four-core shielding wire
Four core colors: red, black, yellow and white
Cable length: 50cm

Wiring diagram



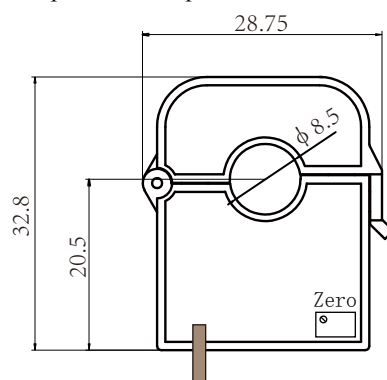
Cable definition:

Red: V+
Black: 0V
Yellow: Vout
White: Vref

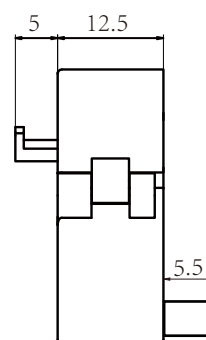
Noted:

- (1) The supply voltage exceeding the absolute maximum rating may cause permanent damage to the sensor!
- (2) Prolonged exposure to any absolute maximum rating condition may affect the reliability and service life of the sensor!
- (3) Need power protection circuit or other specifications please contact customer service!

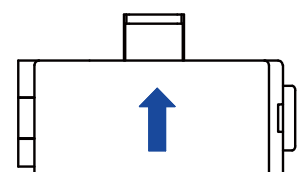
Dimensions (in mm±0.5) :



Front view



Side view



Top view