

# HKS2416/A



Detect DC, AC and pulse current, high insulation between primary side and the vice side circuit.

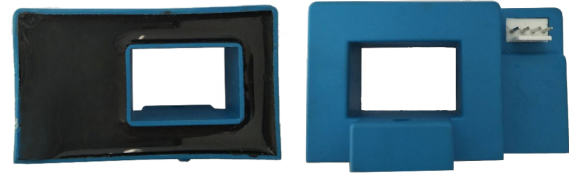
Product picture printing is for reference only, subject to the actual product

### Product application

- Metallurgy
- Welding machine
- Robot
- Inverter power
- Inverter speed controller
- UPS uninterruptible power supply

### Product features

- Light weight
- Low power consumption
- No insertion loss
- Fast response time
- Small size and beautiful appearance
- Sub-plate mounting installation and easy to use



### Calculation formula: $2.5V \pm 2V$

Forward direction:  $2.5 + (I/I_{PN}) * 2$

Reverse direction:  $2.5 - (I/I_{PN}) * 2$

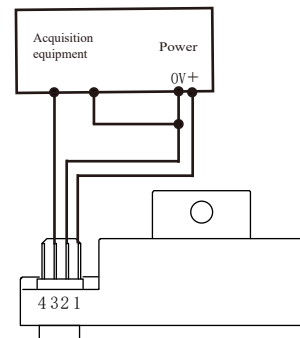
I: Actual measured current

$I_{PN}$ : Rated input

### Pin definition:

- 1: V+
- 2: 0V
- 3: Vout
- 4: Vref

### Wiring diagram:



### Factory commissioning:

Debugging is based on 0V

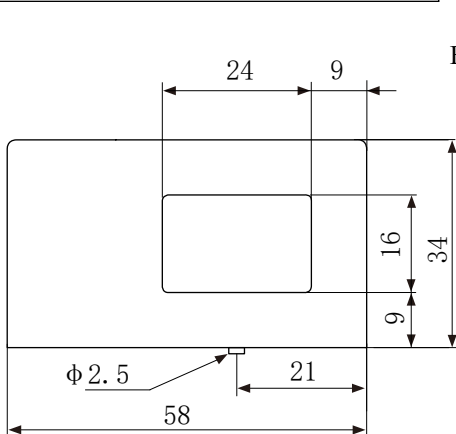
### Noted:

- (1) The supply voltage exceeding the absolute maximum rating may cause permanent damage to the sensor!
- (2) Prolonged exposure to any absolute maximum rating condition may affect the reliability and service life of the sensor!
- (3) Need power protection circuit or other specifications please contact customer service!

Electrical parameters: the following parameters are typical values, the actual values shall be subject to the actual measurement of the product

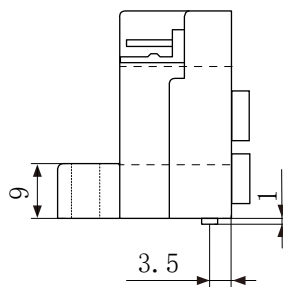
Rated input	$\pm 100A$	$\pm 200A$	$\pm 400A$	$\pm 500A$	$\pm 600A$	$\pm 800A$
Input measurement range	$\pm 100A$	$\pm 200A$	$\pm 400A$	$\pm 500A$	$\pm 600A$	$\pm 800A$
Rated output	$2.5V \pm 2V$					
Accuracy	1% (-10~+70°C)					
Linearity	1%					
Rated supply voltage	$+5V \pm 5\%$					
Absolute maximum voltage	$< 6V^{(1)(2)}$					
Current consumption	$\leq 26mA$					
Load impedance	$\geq 10K\Omega$					
Zero offset voltage	$\leq \pm 15mV$					
Response time	$\leq 10\mu s$					
Weight	71g					
Operation temperature	$-10 \sim +70^\circ C$					
Storage temperature	$-25 \sim +70^\circ C$					
Band width	DC~25KHz					
Dielectric strength	$2.5KV$ 50Hz 1min					

### Dimensions (in mm $\pm 0.5$ ):



Front view

Current direction  
Epoxy surface ← Positive

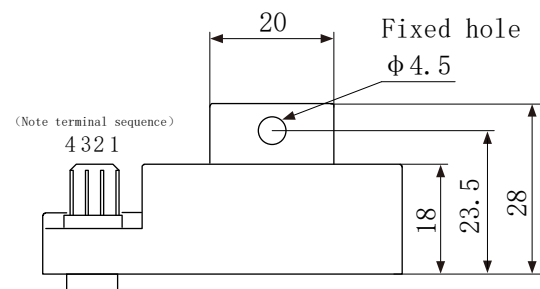


Side view

### Connector:



Quick plug which spacing 2.54 mm



Bottom view