

HKBS16/A



Detect DC, AC and pulse current, high insulation between primary side and the vice side circuit.

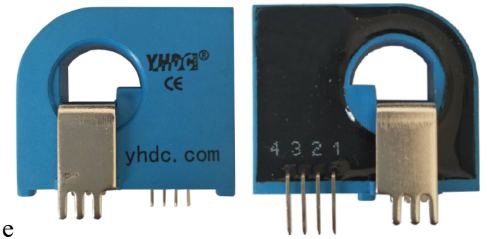
Product picture printing is for reference only, subject to the actual product

Product application

- Metallurgy
- Welding machine
- Robot
- Inverter power
- Inverter speed controller
- UPS uninterruptible power supply

Product features

- Light weight
- Low power consumption
- No insertion loss
- Fast response time
- Small size and beautiful appearance
- PCB installation and easy to use



Calculation formula: $2.5V \pm 2V$

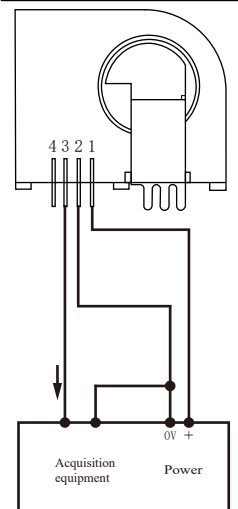
Forward direction: $2.5 + (I/I_{PN}) * 2$

Reverse direction: $2.5 - (I/I_{PN}) * 2$

I: Actual measured current

I_{PN} : Rated input

Wiring diagram:



Pin definition:

- 1: V+
- 2: 0V
- 3: Vout
- 4: Vref

Factory commissioning:

Debugging is based on 0V

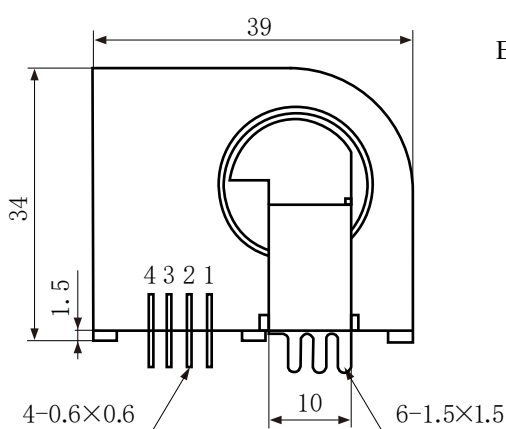
Noted:

- (1) The supply voltage exceeding the absolute maximum rating may cause permanent damage to the sensor!
- (2) Prolonged exposure to any absolute maximum rating condition may affect the reliability and service life of the sensor!
- (3) Need power protection circuit or other specifications please contact customer service!

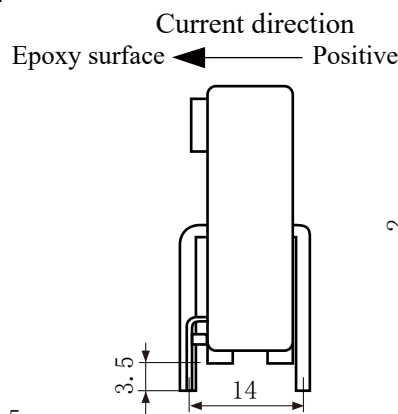
Electrical parameters: the following parameters are typical values, the actual values shall be subject to the actual measurement of the product

Rated input	±50A	±100A	±200A	±300A	±400A
Input measurement range	±50A	±100A	±200A	±300A	±400A
Rated output	2.5V ± 2V				
Accuracy	1% (-10 ~ +70 °C)				
Linearity	1%				
Rated supply voltage	+5V ± 5%				
Absolute maximum voltage	< 6V ⁽¹⁾ (2)				
Current consumption	≤ 26mA				
Load impedance	≥ 10KΩ				
Zero offset voltage	≤ ±15mV				
Response time	≤ 10μs				
Weight	29g				
Operation temperature	-10 ~ +70 °C				
Storage temperature	-25 ~ +70 °C				
Band width	DC ~ 25KHz				
Dielectric strength	2.5KV 50Hz 1min				

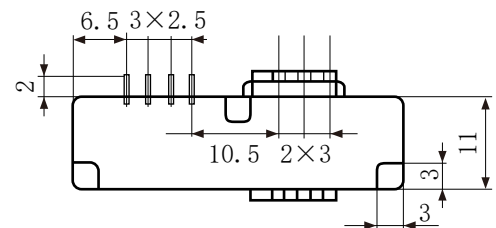
Dimensions (in mm ± 0.5) :



Front view



Side view



Bottom view