

Hall open loop current sensor

Model: HK18-60

Open loop hall circuit, Bus-bar built-in, PCB welding type, Detect DC, AC and pulse current.

Technical Index:

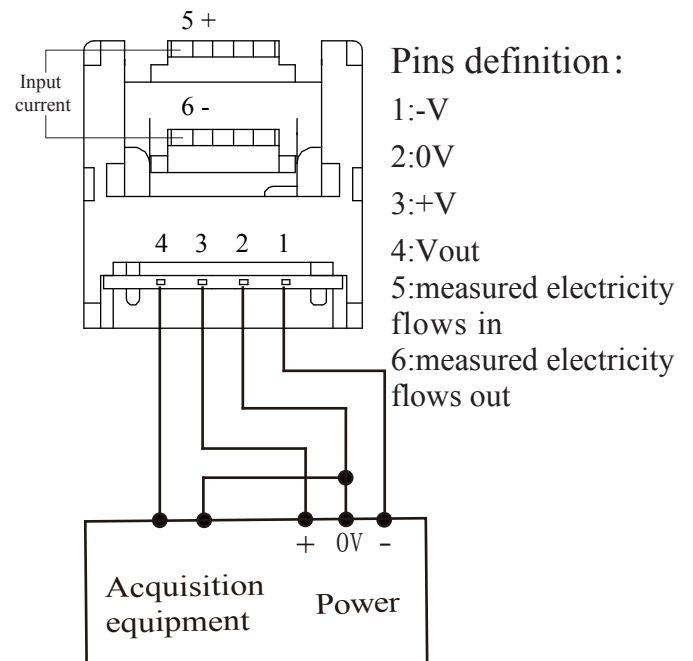
- Flame resistance: UL94-V0
- Working temperature: $-10^{\circ}\text{C} \sim +70^{\circ}\text{C}$
- Storage temperature: $-25^{\circ}\text{C} \sim +70^{\circ}\text{C}$
- Band width: DC \sim 25KHz
- Dielectric strength: 3KV 50Hz 1min



Connection diagram:

Electrical parameters:

I_P	Rated input	± 40	± 50	± 60	A
I_{PM}	Input measured range	± 60	± 75	± 90	A
V_{OUT}	Rated output	± 4			V
X	Accuracy	1			%
ϵ_L	Linearity	1			%
V_C	Supply voltage($\pm 5\%$)	$\pm 12/\pm 15$			V
I_C	Current consumption	$\leq \pm 15$			mA
R_L	Load impedance	≥ 10			K Ω
V_{OE}	Zero offset TA= 25°C	$\leq \pm 15$			mV
T_R	Response time	≤ 5			μs
N.W	Weight	39			g



Dimensions (in mm) :

