

Hall closed loop variable range current sensor **YHDC**®

Model: HAX25

Closed loop, busbar built-in, PCB mounting type;
Detect DC, AC and pulse current.

Technical index:

- Flame resistance: UL94-V0
- Working temperature: $-25 \sim +70^{\circ}\text{C}$
- Storage temperature: $-25 \sim +70^{\circ}\text{C}$
- Band width: -
- Dielectric strength: 2.5KV 50Hz 1min

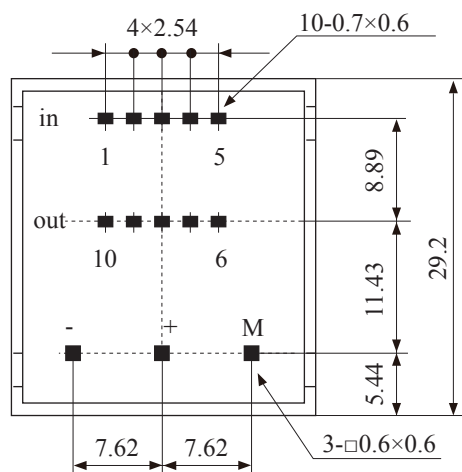


Electrical parameters:

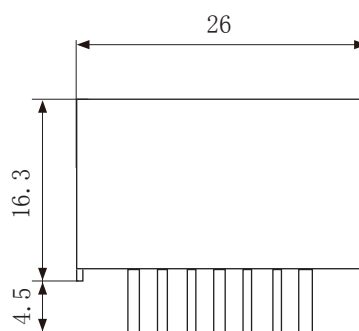
I_{PN}	Rated input	± 25	A
I_{PM}	Input measured range	± 37.5	A
I_{OUT}	Rated output	± 25	mA
X	Accuracy	0.5	%
ϵ_L	Linearity	0.1	%
V_C	Supply voltage($\pm 5\%$)	$\pm 12V/\pm 15$	V
I_C	Current consumption	± 12	mA+Im
R_L	Load impedance	-	Ω
I_{OE}	Zero offset TA=25 C	$\leq \pm 0.15$	mA
T_R	Response time	≤ 40	μs
N.W	Weight	23	g

Serial number	Rated current	Measuring range	Output	Busbar short connection
1	25	36	25	
2	12	18	24	
3	8	12	24	
4	6	9	24	
5	5	7	25	

Dimensions (in mm) :



Bottom view



Side view

Connection diagram:

