

Hall closed loop current sensor



Model: HAB55

Closed loop, PCB welding type; Detect DC, AC and pulse current.

Technical Index:

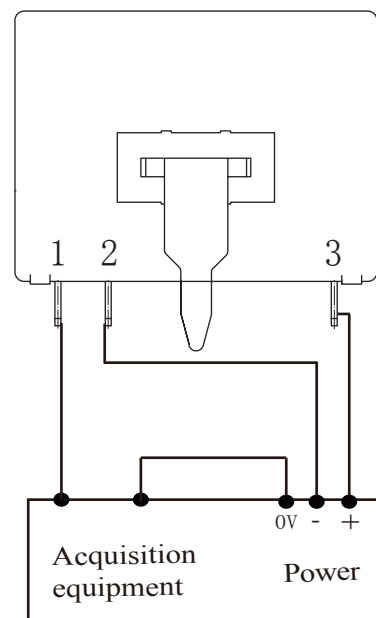
- Flame resistance: UL94-V0
- Working temperature: -25 ~ +70 °C
- Storage temperature: -25 ~ +70 °C
- Band width: DC ~ 100KHz
- Dielectric strength: 2.5KV 50Hz 1min



Electrical parameters:

I_{PN}	Rated input	±50	±100	A
I_{PM}	Input measured range	±75	±150	A
I_{OUT}	Rated output	±50		mA
X	Accuracy	0.5		%
ϵ_L	Linearity	0.5		%
V_C	Supply voltage(±5%)	±12/±15		V
I_C	Current consumption	±12		mA+Is
R_L	Load impedance	-		Ω
I_{OE}	Zero offset TA=25 °C	≤±0.15		mA
T_R	Response time	≤1		μs
N.W	Weight	18		g

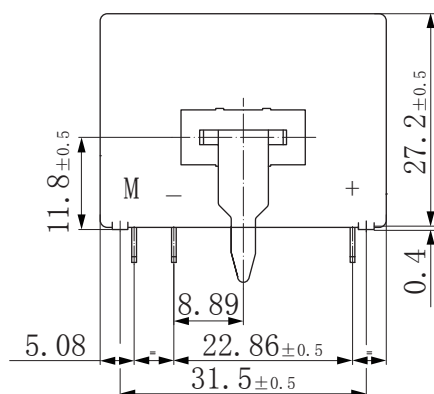
Connection diagram:



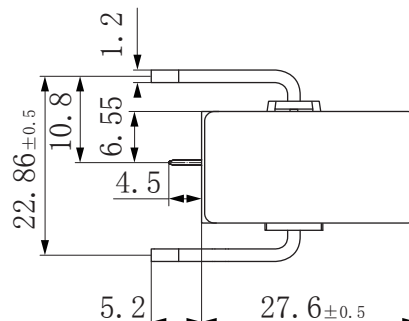
Pins definition:

- 1:M
- 2:-15V
- 3:+15V

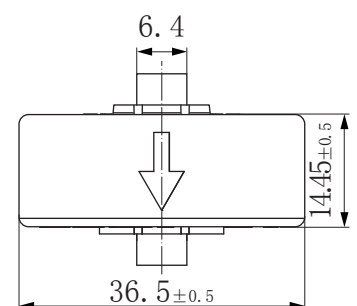
Dimensions (in mm) :



Front view



Side view



Top View