

# Hall closed loop current sensor



Model: HA25

Closed loop, basbar built-in, PCB welding type:  
Detect DC, AC and pulse current.

## Technical Index:

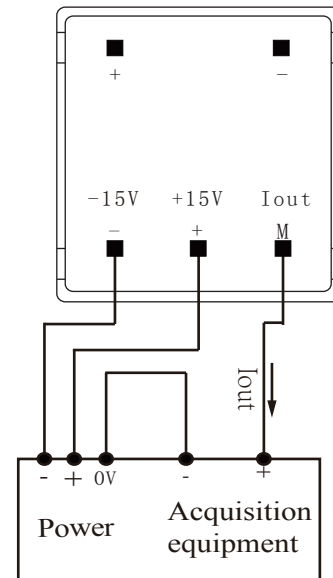
- Flame resistance: UL94-V0
- Working temperature:  $-25 \sim +70^{\circ}\text{C}$
- Storage temperature:  $-25 \sim +70^{\circ}\text{C}$
- Bandwidth: -
- Dielectric strength: 2.5KV 50Hz 1min



## Electrical parameters:

$I_{PN}$ Rated input	$\pm 0.25$ $\pm 0.5$ $\pm 1$ $\pm 1.5$ $\pm 2$ $\pm 3$ $\pm 5$	A
$I_{PM}$ Input measured range	$\pm 0.38$ $\pm 0.75$ $\pm 1.5$ $\pm 2.25$ $\pm 3$ $\pm 4.5$ $\pm 7.5$	A
$I_{OUT}$ Rated output	25 25 25 24 24 24 25	mA
X Accuracy	0.5	%
$\epsilon_L$ Linearity	0.2	%
$V_C$ Supply voltage ( $\pm 5\%$ )	$\pm 12/\pm 15$	V
$I_C$ Current consumption	$\pm 12$	mA + $I_s$
$R_L$ Load impedance	200	$\Omega$
$I_{OE}$ Zero offset $T_A=25^{\circ}\text{C}$	$\leq \pm 0.15$	mA
$T_R$ Response time	40~200	$\mu\text{s}$
N.W Weight	22	g

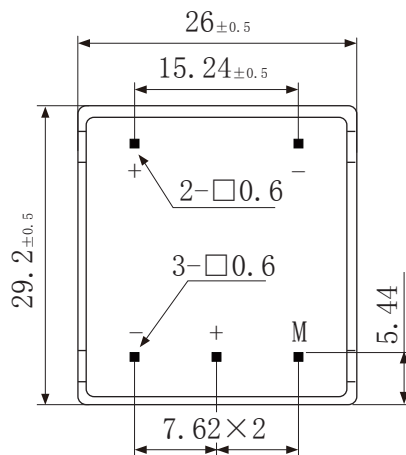
## Connection diagram:



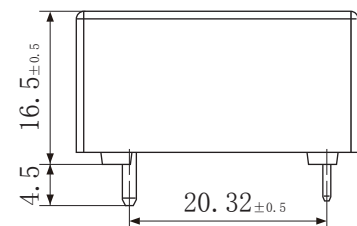
## Dimensions ( in mm ) :



Top view



Bottom view



Side view