

Hall closed loop current sensor



Model: HA25

Closed loop, basbar built-in, PCB welding type:
Detect DC, AC and pulse current.

Technical Index:

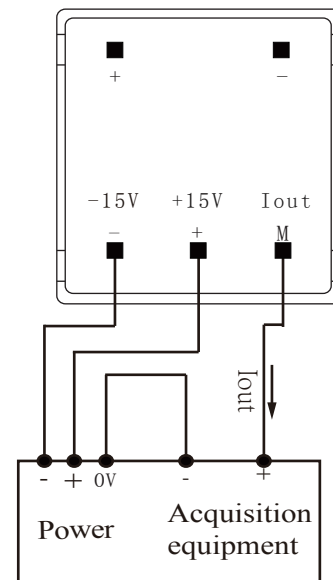
- Flame resistance: UL94-V0
- Working temperature: $-25 \sim +70^{\circ}\text{C}$
- Storage temperature: $-25 \sim +70^{\circ}\text{C}$
- Bandwidth: -
- Dielectric strength: 2.5KV 50Hz 1min



Electrical parameters:

I_p Rated input	± 0.25	± 0.5	± 1	± 1.5	± 2	± 3	± 5	A
I_{PM} Input measured range	± 0.38	± 0.75	± 1.5	± 2.25	± 3	± 4.5	± 7.5	A
I_{OUT} Rated output	25	25	25	24	24	24	25	mA
X Accuracy	0.5						%	
ϵ_L Linearity	0.2						%	
V_C Supply voltage ($\pm 5\%$)	$\pm 12 / \pm 15$						V	
I_C Current consumption	± 12						mA + I_s	
R_L Load impedance	200						Ω	
I_{OE} Zero offset $T_A = 25^{\circ}\text{C}$	$\leq \pm 0.15$						mA	
T_R Response time	40~200						μs	
N.W Weight	22						g	

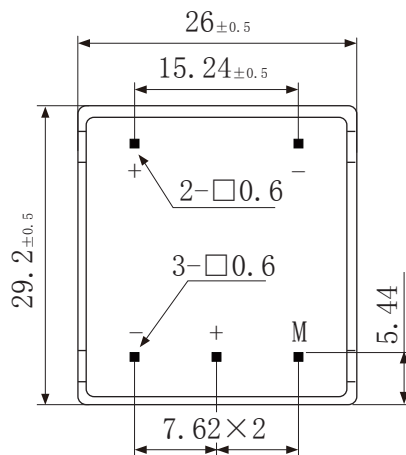
Connection diagram:



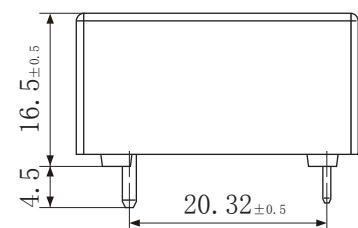
Dimensions (in mm) :



Top view



Bottom view



Side view