

# Hall closed loop current sensor



## Model: HA125

Closed loop, basbar built-in, PCB mounting type;  
Detect DC, AC and pulse current.

### Technical index:

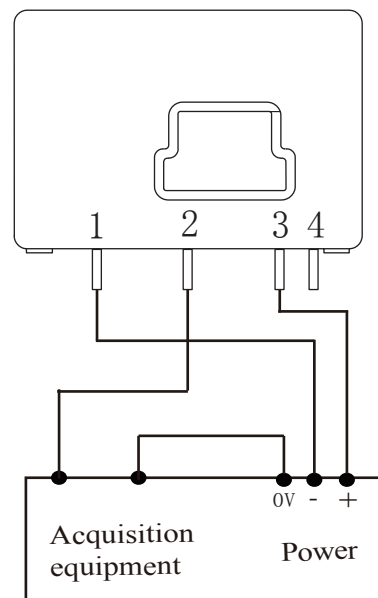
- Flame resistance: UL94-V0
- Working temperature: -25 ~ +70 °C
- Storage temperature: -25 ~ +70 °C
- Bandwidth: DC ~ 100kHz
- Dielectric strength: 2.5KV 50Hz 1min



### Electrical parameters:

$I_{PN}$	Rated input	$\pm 125$	A
$I_{PM}$	Input measured range	$\pm 187.5$	A
$I_{OUT}$	Rated output	$\pm 125$	mA
X	Accuracy	0.5	%
$\epsilon_L$	Linearity	0.5	%
$V_C$	Supply voltage( $\pm 5\%$ )	$\pm 12/\pm 15$	V
$I_C$	Current consumption	$\leq \pm 12$	mA+Is
$R_L$	Load impedance	-	$\Omega$
$I_{OE}$	Zero offset TA=25 °C	$\leq \pm 0.15$	mA
$T_R$	Response time	$\leq 1$	$\mu s$
N.W	Weight	39	g

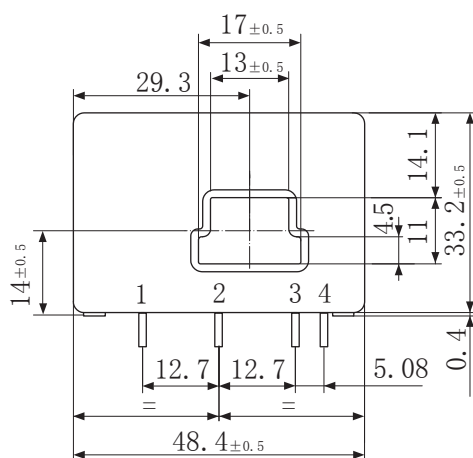
### Connection diagram:



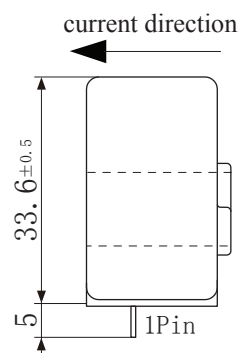
### Pins definition:

- 1: -15V
- 2: M
- 3: +15V
- 4: N.C

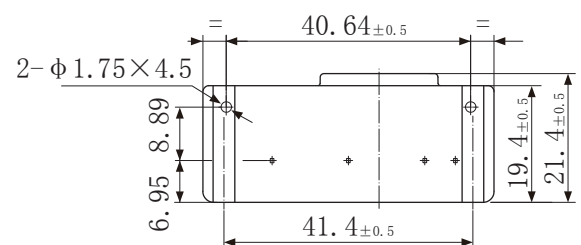
### Dimensions ( in mm ) :



Front view



Side view



Bottom view