

Hall closed loop current sensor



Model: HA125

Closed loop, basbar built-in, PCB mounting type;
Detect DC, AC and pulse current.

Technical index:

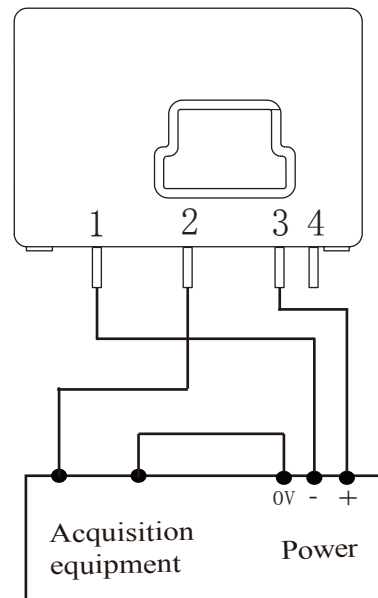
- Flame resistance: UL94-V0
- Working temperature: $-25 \sim +70^{\circ}\text{C}$
- Storage temperature: $-25 \sim +70^{\circ}\text{C}$
- Bandwidth: DC \sim 100kHz
- Dielectric strength: 2.5KV 50Hz 1min



Electrical parameters:

I_P	Rated input	± 125	A
I_{PM}	Input measured range	± 187.5	A
I_{OUT}	Rated output	± 125	mA
X	Accuracy	0.5	%
ϵ_L	Linearity	0.5	%
V_C	Supply voltage($\pm 5\%$)	$\pm 12/\pm 15$	V
I_C	Current consumption	$\leq \pm 12$	mA+Is
R_L	Load impedance	-	Ω
I_{OE}	Zero offset TA=25 $^{\circ}\text{C}$	$\leq \pm 0.15$	mA
T_R	Response time	≤ 1	μs
N.W	Weight	39	g

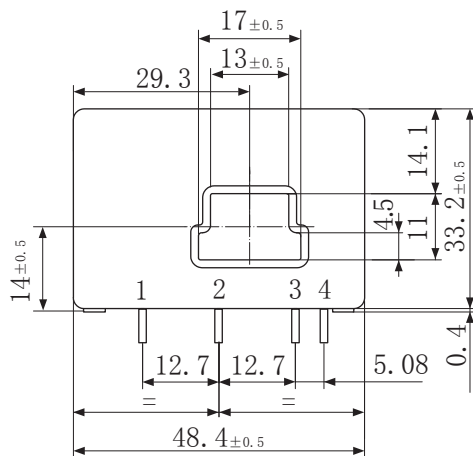
Connection diagram:



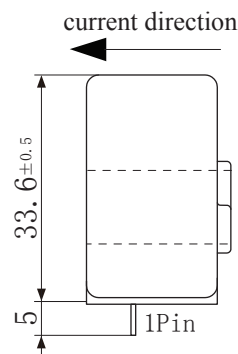
Pins definition:

- 1: -15V
- 2: M
- 3: +15V
- 4: N.C

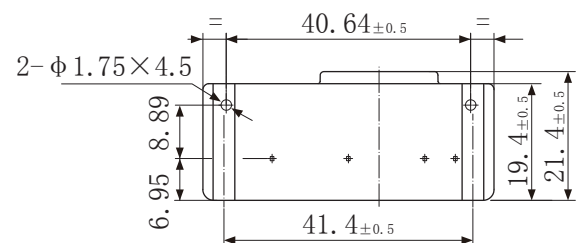
Dimensions (in mm) :



Front view



Side view



Bottom view