

Model:D4225-311

characteristics:

It is used to drive IGBT,MOS pipe and transmit high-frequency signal isolation.

Technical indicators:

Installation method: PCB

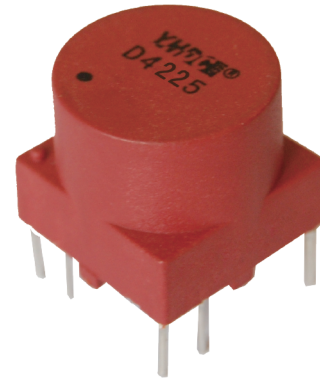
Flame resistance: UL94-V0

Operating temperature: $-40^{\circ}\text{C} \sim +85^{\circ}\text{C}$

Storage temperature: : $-40^{\circ}\text{C} \sim +85^{\circ}\text{C}$

Frequency range: 1KHz~50KHz

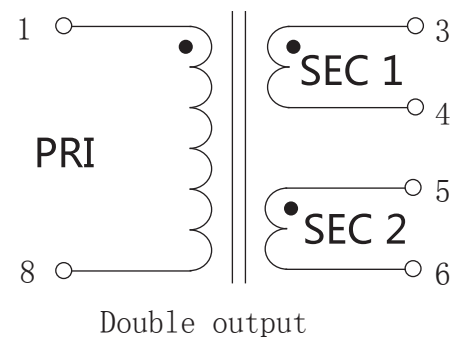
Dielectric strength: 4.5KV 50Hz 10s



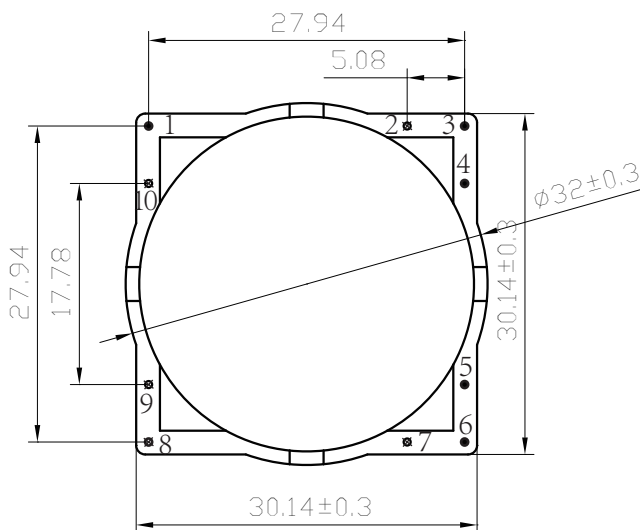
Electrical parameters:

| | | |
|--------------------------------|------------|----------------|
| Vout microsecond integral | 1000 | μVs |
| Pulse width (D=1:2) | 33 | μs |
| Ratio | 3 : 1 : 1 | |
| Input amplitude | 20 | V |
| Output amplitude | 8 | V |
| Load impedance | 20 | Ω |
| Leading edge time | ≤ 0.5 | μs |
| Main circuit operating voltage | 500 | V |
| Weight | | g |

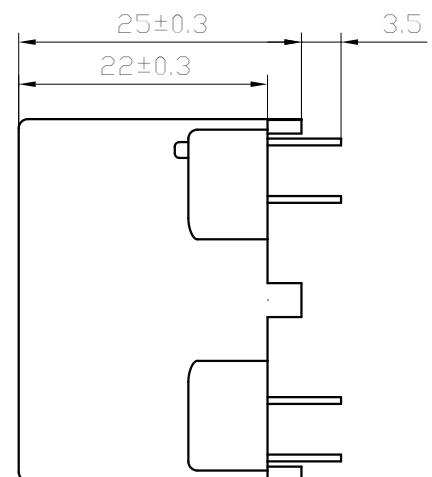
Connection diagram:



Dimensions (in mm) :



Bottom View



Side View