

Model:D4225-301

characteristics:

It is used to drive IGBT,MOS pipe and transmit high-frequency signal isolation.

Technical indicators:

Installation method: PCB

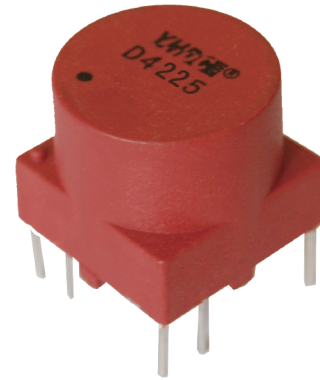
Flame resistance: UL94-V0

Operating temperature:  $-40^{\circ}\text{C} \sim +85^{\circ}\text{C}$

Storage temperature: :  $-40^{\circ}\text{C} \sim +85^{\circ}\text{C}$

Frequency range: 1KHz $\sim$ 50KHz

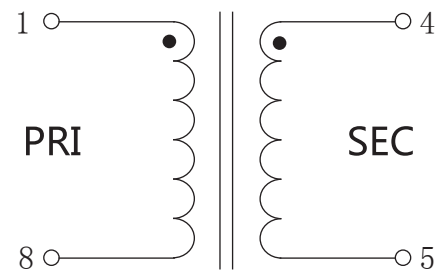
Dielectric strength: 4.5KV 50Hz 10s



Electrical parameters:

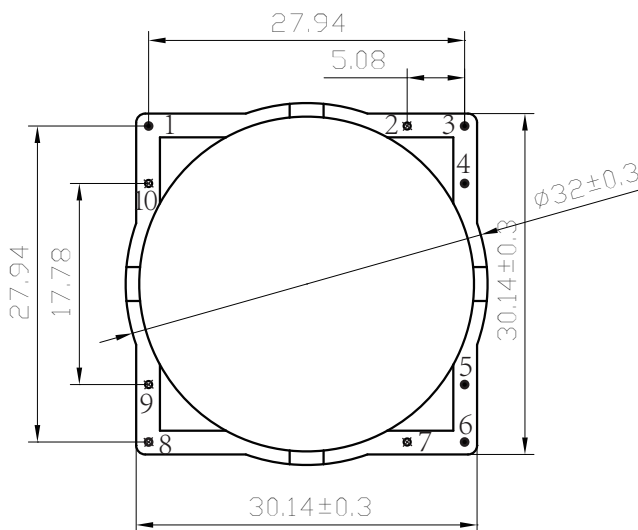
Vout microsecond integral	1000	$\mu\text{Vs}$
Pulse width (D=1:2)	33	$\mu\text{s}$
Ratio	3 : 1	
Input amplitude	30	V
Output amplitude	8	V
Load impedance	20	$\Omega$
Leading edge time	$\leq 0.5$	$\mu\text{s}$
Main circuit operating voltage	500	V
Weight		g

Connection diagram:

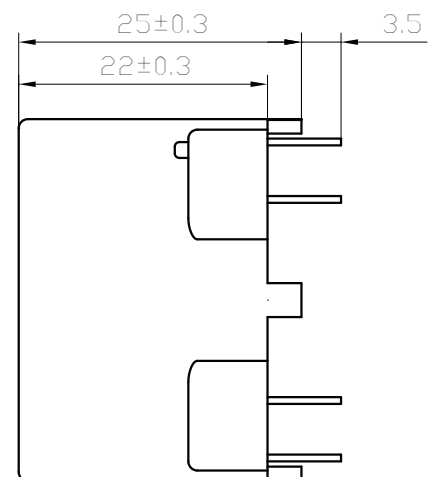


3.6 is empty  
Single output

Dimensions ( in mm ) :



Bottom View



Side View