

Model:D4225-111

characteristics:

It is used to drive IGBT,MOS pipe and transmit high-frequency signal isolation.

Technical indicators:

Installation method: PCB

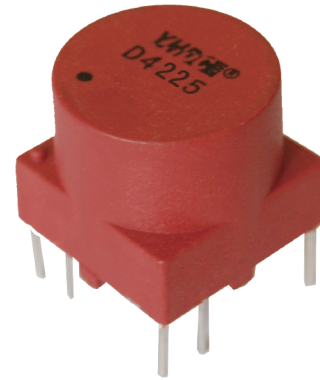
Flame resistance: UL94-V0

Operating temperature:  $-40^{\circ}\text{C} \sim +85^{\circ}\text{C}$

Storage temperature: :  $-40^{\circ}\text{C} \sim +85^{\circ}\text{C}$

Frequency range: 1KHz $\sim$ 50KHz

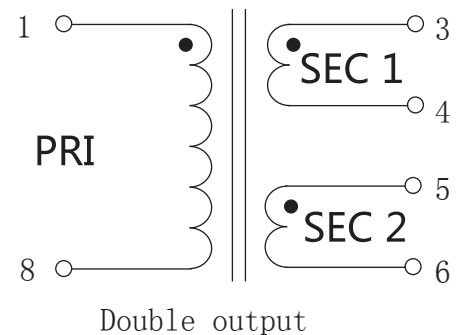
Dielectric strength: 4.5KV 50Hz 10s



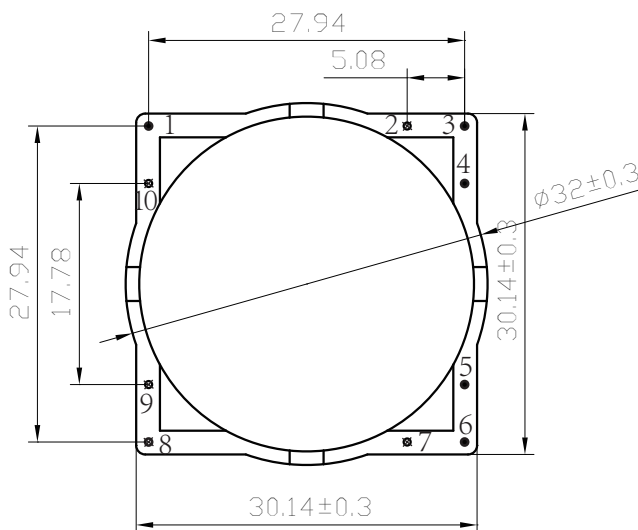
Electrical parameters:

Vout microsecond integral	1000	$\mu\text{Vs}$
Pulse width (D=1:2)	67	$\mu\text{s}$
Ratio	1 : 1 : 1	
Input amplitude	15	V
Output amplitude	13	V
Load impedance	20	$\Omega$
Leading edge time	$\leq 0.5$	$\mu\text{s}$
Main circuit operating voltage	500	V
Weight		g

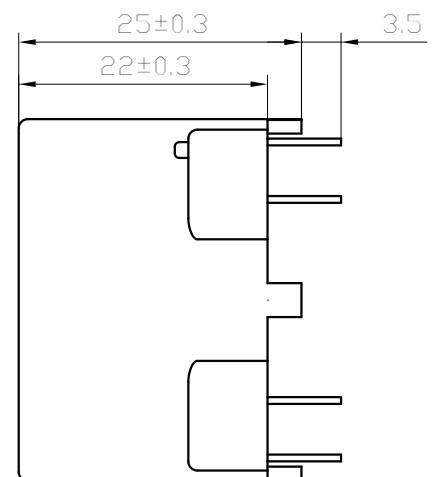
Connection diagram:



Dimensions ( in mm ) :



Bottom View



Side View