

Model:D4225-101

characteristics:

It is used to drive IGBT,MOS pipe and transmit high-frequency signal isolation.

Technical indicators:

Installation method: PCB

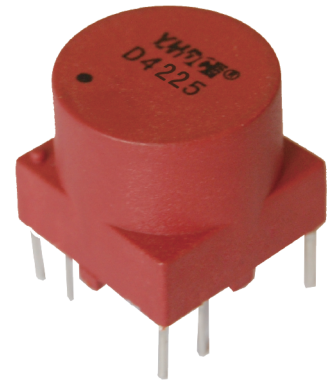
Flame resistance: UL94-V0

Operating temperature: $-40^{\circ}\text{C} \sim +85^{\circ}\text{C}$

Storage temperature: $-40^{\circ}\text{C} \sim +85^{\circ}\text{C}$

Frequency range: 1KHz \sim 50KHz

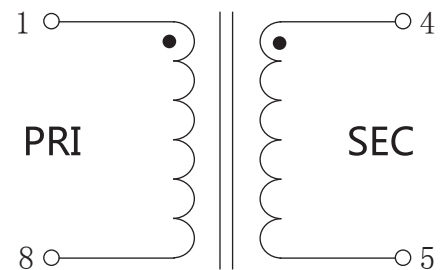
Dielectric strength: 4.5KV 50Hz 10s



Electrical parameters:

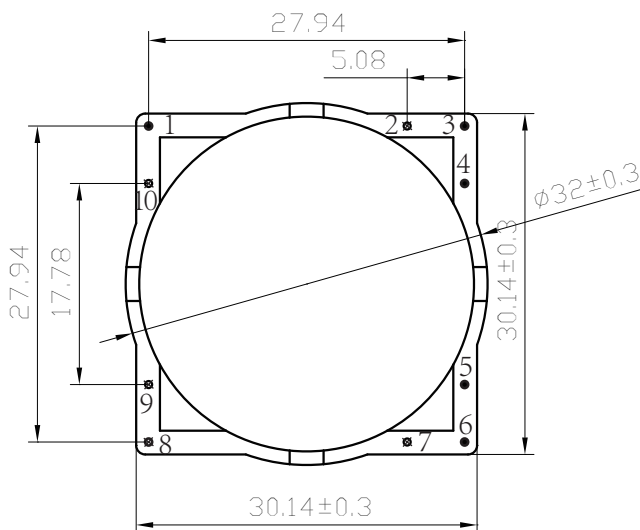
Vout microsecond integral	1000	μVs
Pulse width (D=1:2)	67	μs
Ratio	1 : 1	
Input amplitude	15	V
Output amplitude	13	V
Load impedance	20	Ω
Leading edge time	≤ 0.5	μs
Main circuit operating voltage	500	V
Weight		g

Connection diagram:

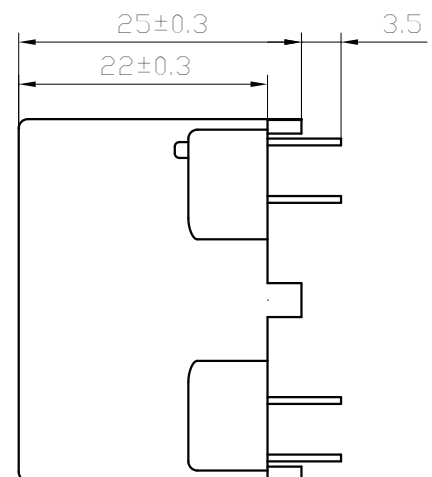


3.6 is empty
Single output

Dimensions (in mm) :



Bottom View



Side View