

---



---

# Solid core power distribution current transformer



Front view



Quantity\*4

Sub-plate mounting

Accessories drawing



Quantity\*2

Platen mounting

Accessories drawing

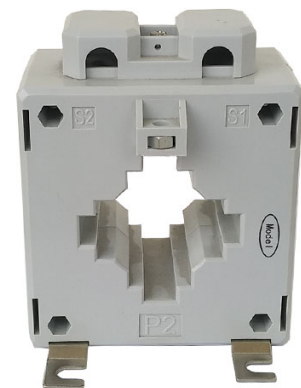
## Product features

- Through cable or copper row
- Terminal output
- Two mounting methods for sub-plate/platen

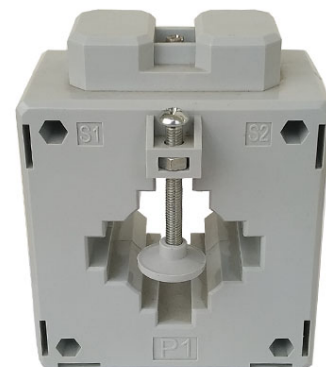
## Product application

Current measurement, monitoring and protection of:

- AC motor
- Lighting device
- Complete cabinet
- Industrial network
- Air compressors



Sub-plate mounting



Platen mounting

## Product advantage

- Economical and practical, improve efficiency
- The terminal design has sufficient safety distance at both ends
- The end cap is a buckled structure with high mechanical strength
- Available in a variety of sizes (other models in the same series)

**Typical technical index:**

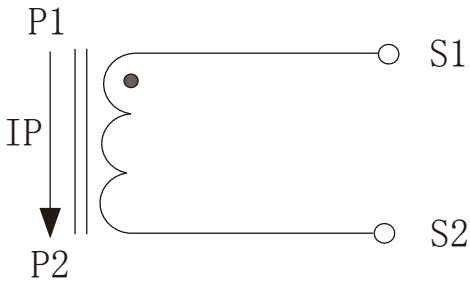
- Material of core——Silicon steel sheet
- Working voltage——Phase voltage  $\leq 720V$
- Working temperature—— $-20^{\circ}C \sim +85^{\circ}C$
- Storage temperature—— $-25^{\circ}C \sim +90^{\circ}C$
- Frequency range—— $50Hz \sim 60Hz$
- Fair resistance——UL94-V0
- Dielectric strength——Output/Outer shell AC 6KV/1min 5mA 50Hz
- Weight--613g

**Electrical parameters:** (The following parameters are typical values and actual values will be subject to product testing)

**Can be customized parameters**

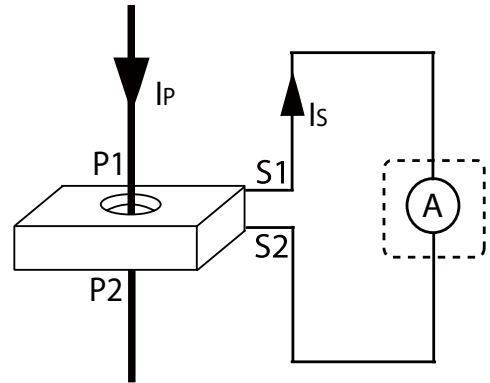
	Input current	Output current	Rated output powerVA					Number of turns
	A	A	0.2S grade	0.2 grade	0.5S grade	0.5 grade	1 grade	
0.1A Output	400A	0.1A	-	30	-	30	30	1
	500A	0.1A	-	30	-	30	30	1
	600A	0.1A	-	30	-	30	30	1
	750A	0.1A	-	30	-	30	30	1
	800A	0.1A	-	30	-	30	30	1
	1000A	0.1A	-	30	-	30	30	1
1A Output	300A	1A	1.5	1.5	2.5	7.5	10	1
	400A	1A	5	7.5	5	12.5	15	1
	500A	1A	5	7.5	5	15	20	1
	600A	1A	7.5	10	7.5	15	20	1
	750A	1A	7.5	10	7.5	15	20	1
	800A	1A	10	12.5	10	20	30	1
	1000A	1A	12.5	20	12.5	30	30	1
5A Output	300A	5A	1.5	1.5	2.5	7.5	10	1
	400A	5A	5	7.5	5	12.5	15	1
	500A	5A	5	7.5	5	15	20	1
	600A	5A	7.5	10	7.5	15	20	1
	750A	5A	7.5	10	7.5	15	20	1
	800A	5A	10	12.5	10	20	30	1
	1000A	5A	12.5	20	12.5	30	30	1
	1200A	5A	12.5	20	12.5	30	30	1

Wiring schematic diagram:

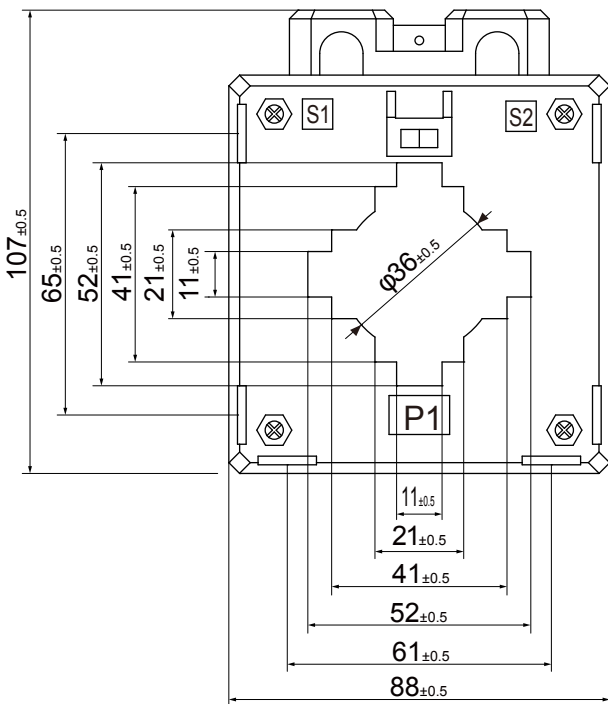


Current output type

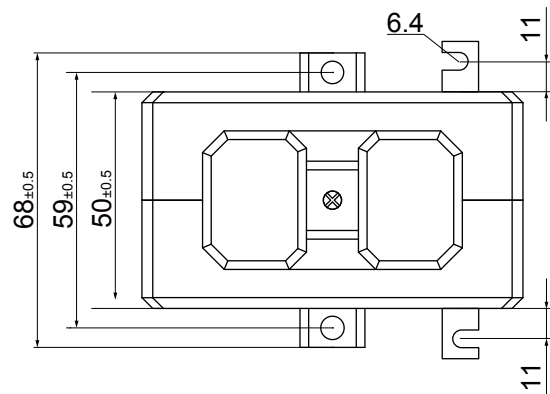
Secondary doesn't allow open circuit



Dimensions: (in:mm ± 0.5)



Front view



Bent lug size view