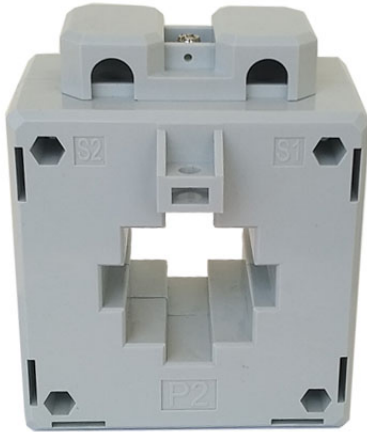


Closed type power distribution transformer



Front view



Quantity*4

Sub-plate mounting

Accessories drawing



Quantity*2

Platen mounting

Accessories drawing

Product features

- Through cable or copper row
- Terminal output
- Two mounting methods for sub-plate/platen

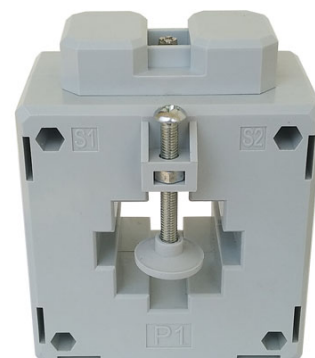
Product application

Current measurement, monitoring and protection of:

- AC motor
- Lighting device
- Complete cabinet
- Industrial network
- air compressors



Sub-plate mounting



Platen mounting

Product advantage

- Economical and practical, improve efficiency
- The terminal design has sufficient safety distance at both ends
- The end cap is a buckled structure with high mechanical strength
- Available in a variety of sizes (other models in the same series)

Typical technical index:

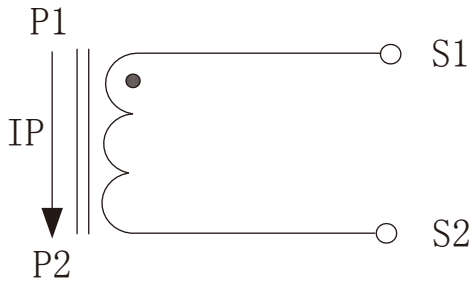
- Material of core——Silicon steel sheet
- Working voltage——Phase voltage $\leq 720V$
- Working temperature—— $-20^{\circ}C \sim +85^{\circ}C$
- Storage temperature—— $-25^{\circ}C \sim +90^{\circ}C$
- Frequency range—— $50Hz \sim 60Hz$
- Fair resistance——UL94-V0
- Dielectric strength——Output/Outer shell AC 6KV/1min 5mA 50Hz
- Weight--523g

Electrical parameters: (The following parameters are typical values and actual values will be subject to product testing)

Can be customized parameters

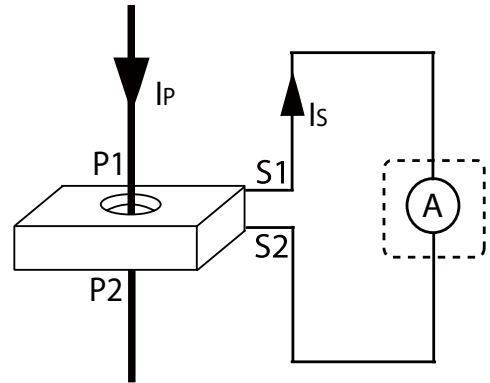
	Input current A	Output current A	Rated output powerVA					Number of turns
			0.2S grade	0.2 grade	0.5S grade	0.5 grade	1 grade	
0.1A Output	150A	0.1A	-	30	-	30	30	1
	200A	0.1A	-	30	-	30	30	1
	300A	0.1A	-	30	-	30	30	1
	400A	0.1A	-	30	-	30	30	1
	500A	0.1A	-	30	-	30	30	1
	600A	0.1A	-	30	-	30	30	1
	750A	0.1A	-	30	-	30	30	1
	800A	0.1A	-	30	-	30	30	1
1A Output	150A	1A	2.5	2.5	2.5	3.75	5	1
	200A	1A	2.5	2.5	2.5	5	7.5	1
	300A	1A	5	10	5	10	15	1
	400A	1A	5	10	7.5	15	20	1
	500A	1A	5	10	7.5	15	20	1
	600A	1A	5	10	10	20	30	1
	750A	1A	7.5	15	15	30	30	1
	800A	1A	10	15	15	30	30	1
5A Output	150A	5A	-	2.5	2.5	3.75	5	1
	200A	5A	2.5	5	2.5	5	7.5	1
	300A	5A	5	10	5	10	15	1
	400A	5A	5	10	7.5	15	20	1
	500A	5A	5	10	10	20	30	1
	600A	5A	5	10	10	20	30	1
	750A	5A	7.5	15	15	30	30	1
	800A	5A	10	15	15	30	30	1
	1000A	5A	10	15	15	30	30	1

Wiring schematic diagram:

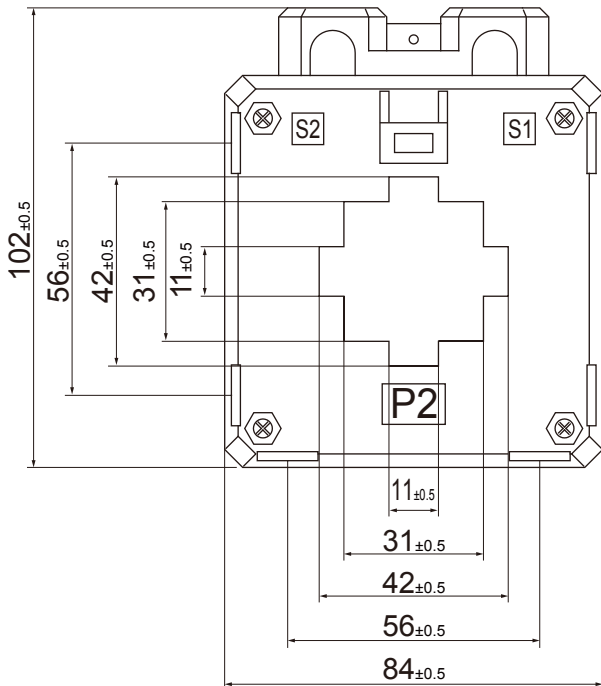


Current output type

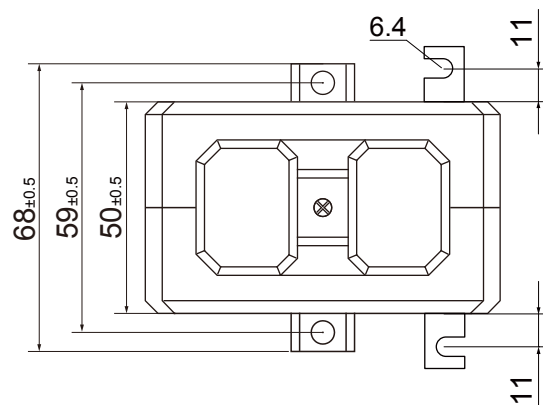
Secondary doesn't allow open circuit



Outline size: (in:mm ± 0.5) :



Front view



Bent lug size View