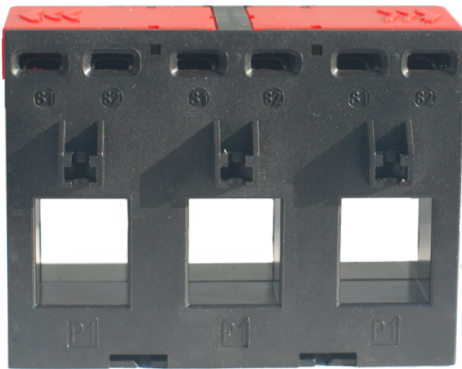


Three-phases power distribution transformer



Front view



Quantity*4

Sub-plate mounting

Accessories drawing



Quantity*6

Platen mounting

Accessories drawing



Quantity*2

35mm din-rail mounting

Accessories drawing

Product features

- Through cable or copper row
- Terminal output
- Three mounting methods for sub-plate / platen / din-rail

Product application

- Ac motor
- Lighting equipment
- Complete sets of cabinets
- Industrial city network
- Current measurement, monitoring and protection for air compressor etc.



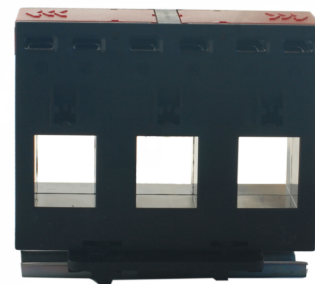
Sub-plate mounting



Platen mounting

Product advantage

- Economic and practical, improve efficiency
- High permeability silicon steel, good linearity, high sensitivity
- Terminal design have enough safe distance at both ends
- The end cover is of buckle structure with high mechanical strength
- Various sizes available (other models of the same series)



Din-rail mounting

Typical technical index:

- Material of core——Silicon steel sheet
- Working voltage——Phase voltage $\leq 720V$
- Working temperature—— $-20^{\circ}C \sim +60^{\circ}C$
- Storage temperature—— $-25^{\circ}C \sim +65^{\circ}C$
- Frequency range—— $50Hz \sim 60Hz$
- Flame resistance——with UL94-V0
- Dielectric strength——Output/Outer shell AC 3.5KV/1min 5mA 50Hz
- Weight--110g

Electrical parameters: (The following parameters are typical values and actual values will be subject to product testing)

Can be customized parameters

	Input current A	Output current A	Rated output powerVA					Number of turns
			0.2Sgrade	0.2grade	0.5Sgrade	0.5grade	1grade	
5A Output	100A	5A	-	-	-	-	1.5	1
	150A	5A	-	-	-	1.5	2.5	1
	200A	5A	-	-	-	1.5	3.75	1
	250A	5A	-	-	-	2.5	5	1

Instructions:

1. For the primary thread direction P1 \rightarrow P2
2. For the secondary current direction S1 \rightarrow S2

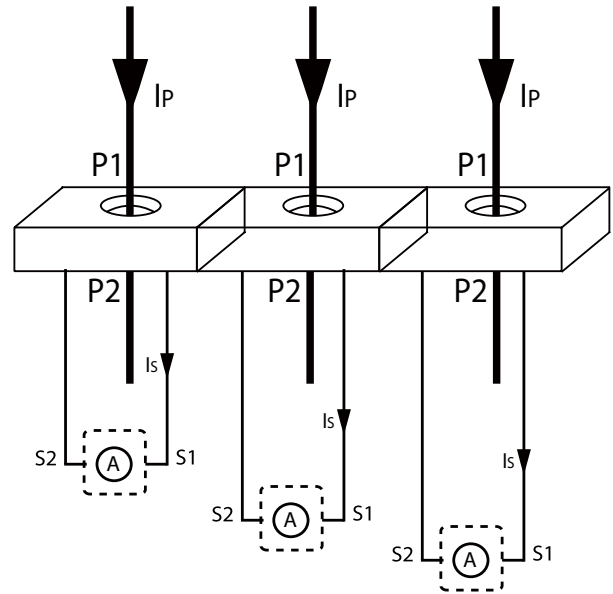
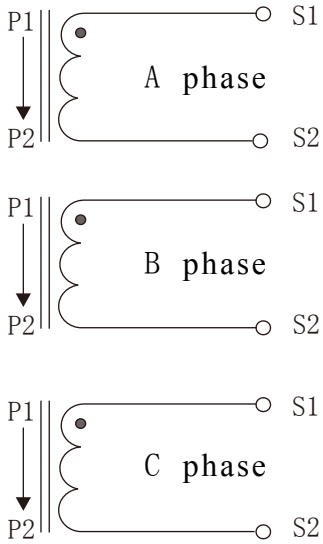
Safe operation:

- *Please read this specification carefully before using the product.
- *When the product needs to be replaced, please be sure to power off and unplug all the connecting cables.
- *If any damage is found to the enclosure, fasteners, connecting cables, or connected equipment, please deal with it immediately.
- *If there is any doubt about the safe operation of the equipment, the equipment and the corresponding accessories should be closed immediately and the investigation should be carried out within the shortest time.

Declaration:

As our products have been continuously improved and updated, we reserve the right to modify the contents of this specification without prior notice.

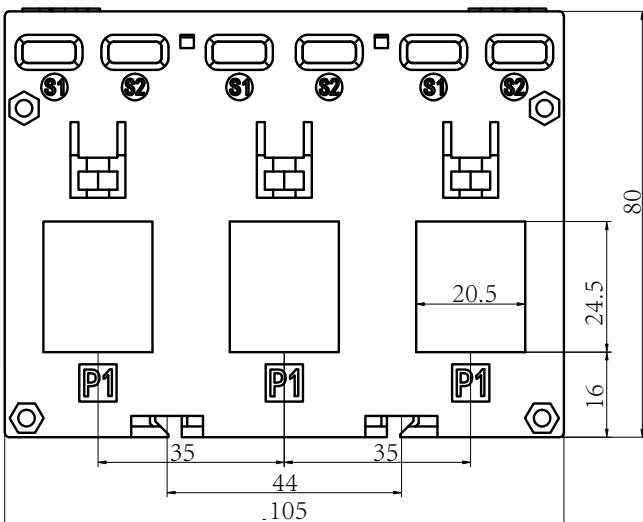
Wiring schematic diagram:



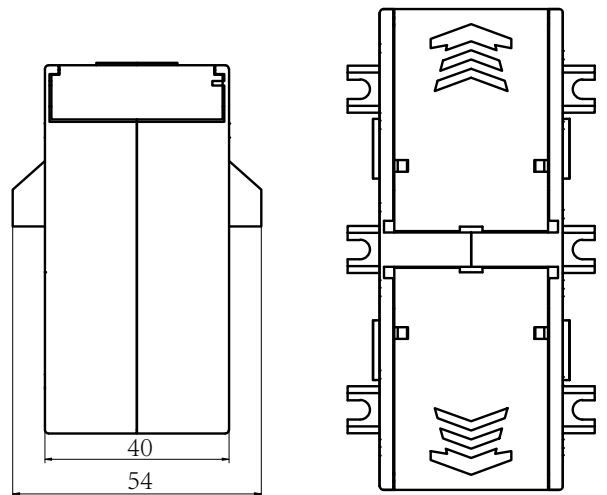
Current output type

Secondary is not allowed to open circuit

Dimension: (in:mm ± 0.5)



Front view



Side view