

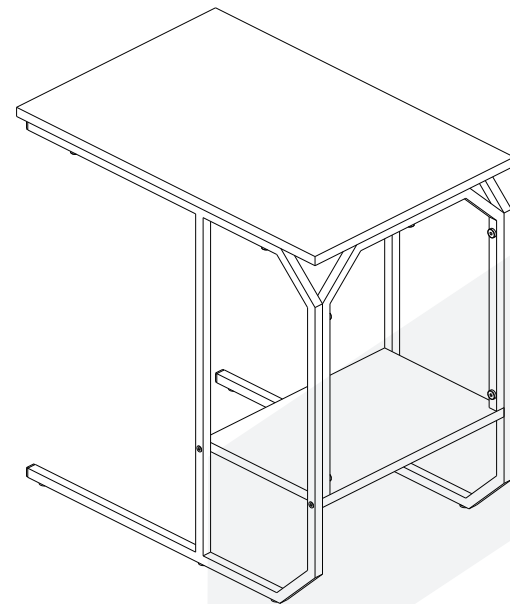


 service@cubiker.com

Thank you for choosing our product.

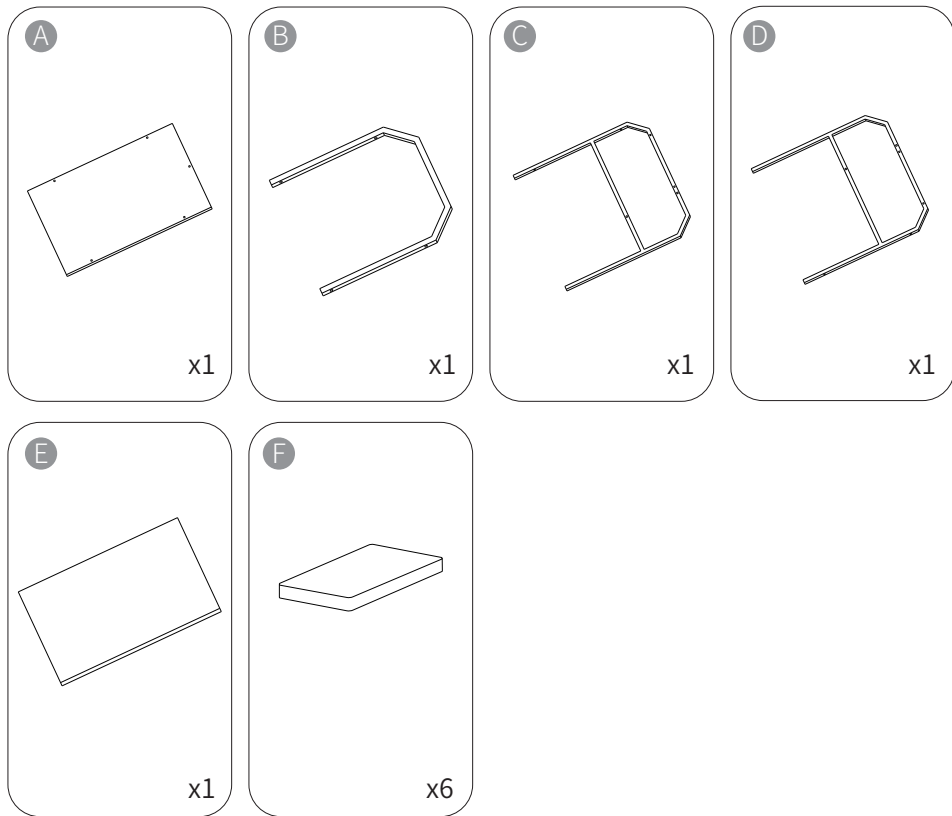
Please share your product experience if you are happy with it. Feel free to contact us on Amazon in case of any problem regarding assembling or the product itself.

 **Cubiker**

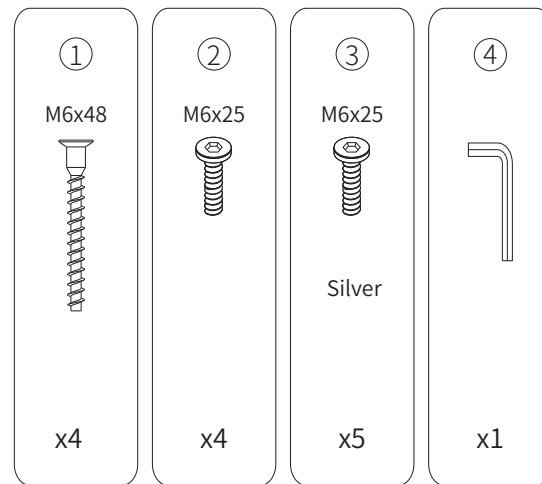


Cubiker Dual-Use End Table (CK-ET-CC)
Installation Instruction

Parts List



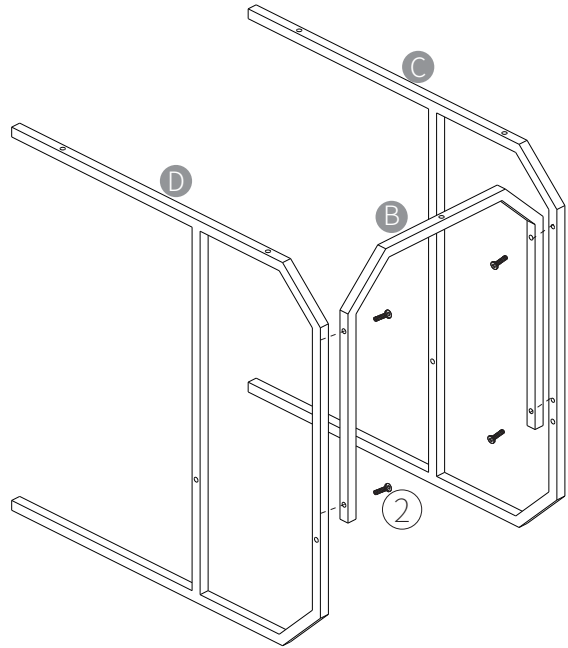
Parts List



Important

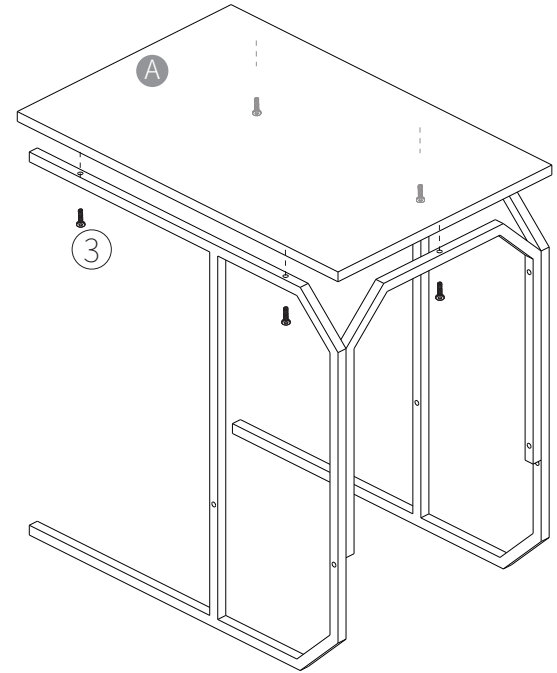
1. Before you begin: Lay out all parts on a clean surface to check if the tags and numbers are correct.
2. It is recommended to install this desk by two people.
3. Don't screw tightly before all the screws are put into the corresponding holes.

Assembly Instruction
Step 1



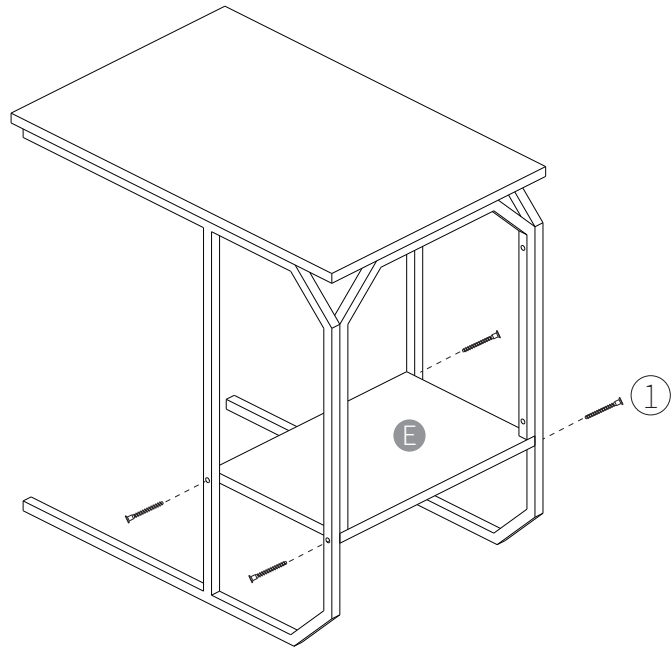
② x 4

Step 2



③ x 5

Step 3



① x 4

Step 4

