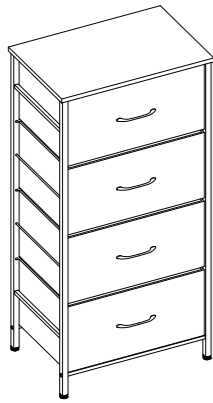




Enjoy your Drawer Chest

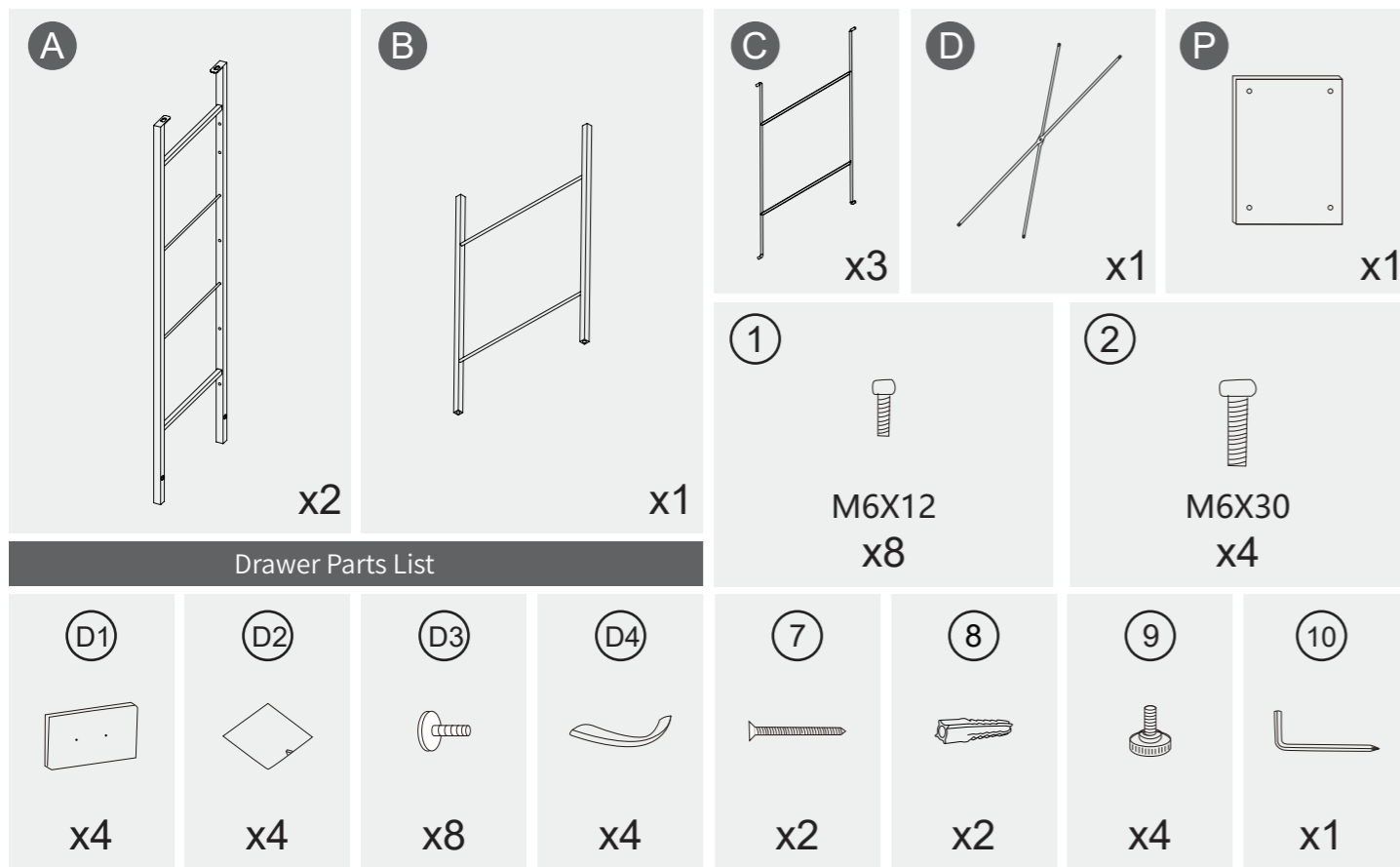
cubicubi

Important:



1. Before you begin: Lay out all parts on a clean surface to check if the tags and numbers are correct.
2. Please use the screws correctly, otherwise you might damage the desk panel.
3. We highly recommend you to watch the installation guide video on our Amazon product page when you begin to assemble the Drawer Chest.

Parts List



Thank you for choosing our product.

We are happy to invite you to share your purchase experience if our products satisfy you.

Feel free to contact us on Amazon or service@icubicubi.com in case of any problem regarding assembling or the product itself.

Your satisfaction is our highest pursuit.

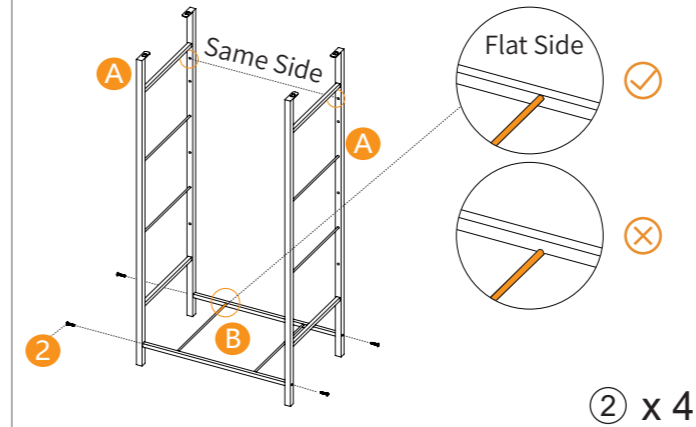
Cubicubi



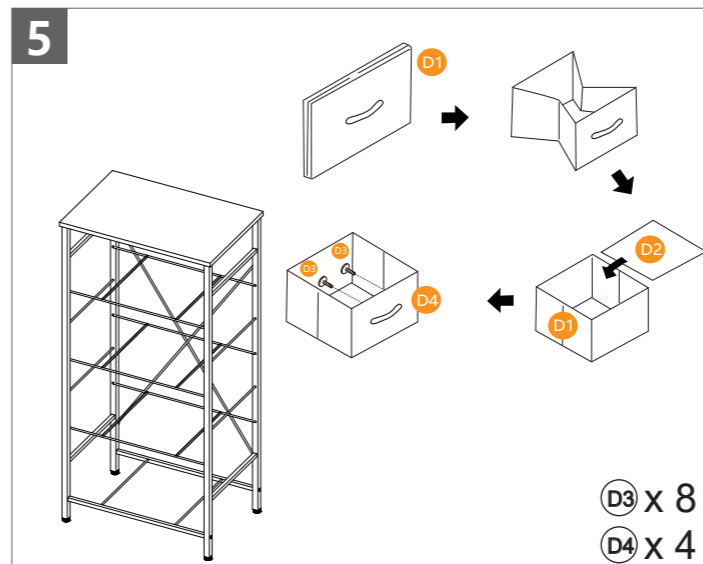
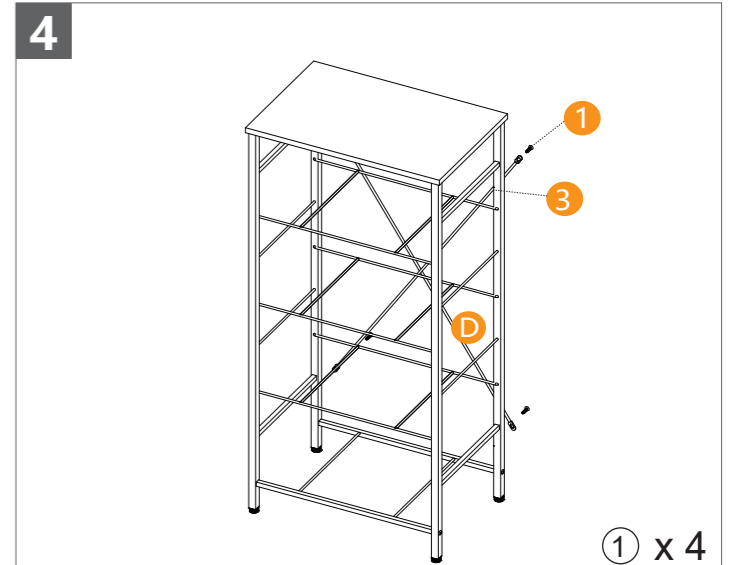
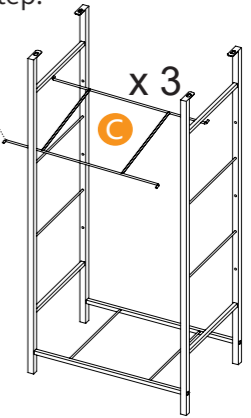
service@icubicubi.com

Assembly Instruction

- 1** Please note the hole of part **A** on the same side and keep the flat side of part **B** up.



- 2** Tilt part **C** and insert one side into the hole, and presses in another side gently, and moves up. Insert it into the 2 holes on the other side. Repeat this step.



- 6** If you need to fix the dresser drawer on the wall, please use a power drill to make holes in the wall, inset **8** expansion screws, and fix the dresser with **7** screw.

