

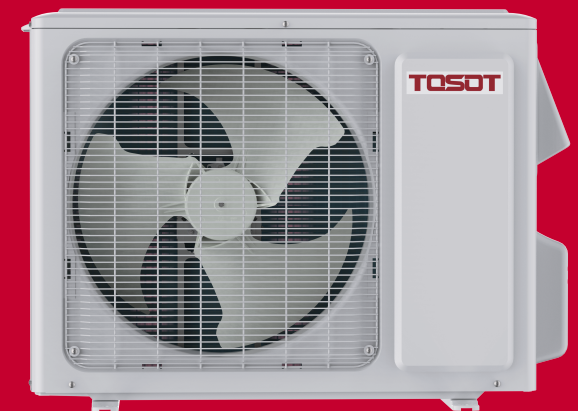
# TOSOT

- Durable
- Low Noise
- Powerfully Efficient
- Cooling and Heating

## MUSE SERIES

Ductless Mini-Split Heat Pump A/C

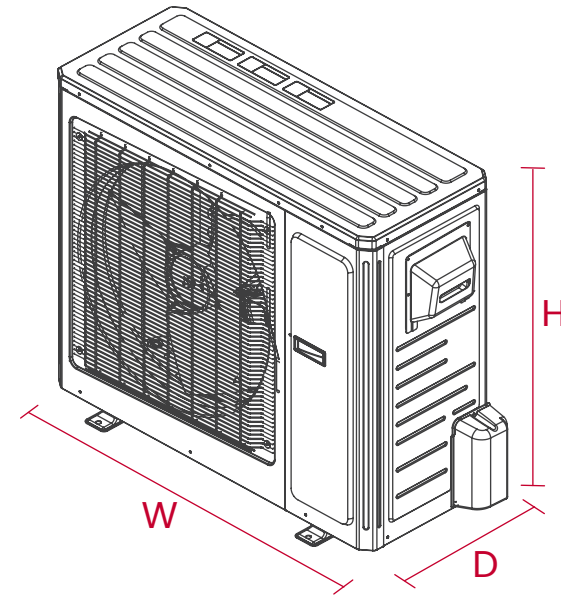
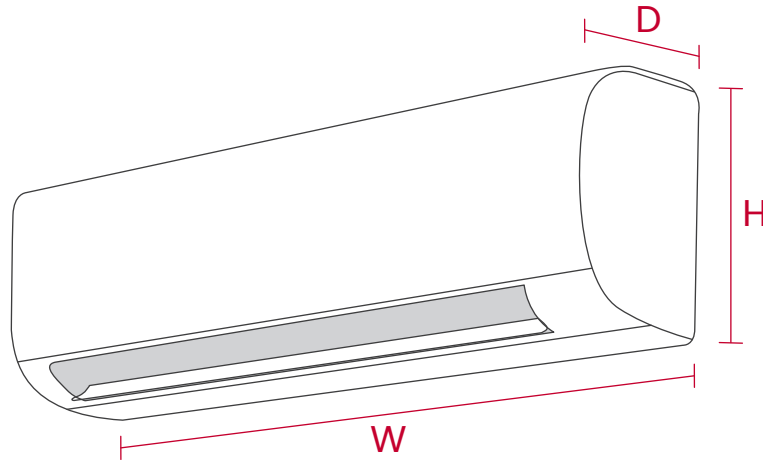
GWH09AFC-A3DNA1A / GWH12AFC-A3DNA1A / GWH18AFD-D3DNA1A



# TECHNICAL SPECIFICATIONS (Split-type Inverter)

Model number		GWH09AFC-A3DNA1A	GWH09AFC-D3DNA1A	GWH12AFC-A3DNA1A	GWH12AFC-D3DNA1A	GWH18AFD-D3DNA1A	
<b>Capacity &amp; Performance</b>							
EER	(Btu/h)/w	12.30	12.80	10.24	11.0	10.59	
COP	(Btu/h)/w	10.58	12.80	11.09	11.55	11.08	
SEER	--	21	21	20.5	20.00	19.00	
HSPF	--	9	9	9	9.10	9.80	
Air Flow Volume	m3/h	580/530/450/300	630/580/500/400	680/540/430/330	630/500/400/310	900/750/700/570	
Dehumidifying Volume	PINT/D	2.96	2.96	2.96	2.96	3.80	
Application Area	ft2	450	450	650	650	850	
Cooling Capacity	Btu/h	9100	9000	12100	12000	18000	
Heating Capacity	Btu/h	10000	10000	13000	13000	18000	
Indoor unit	Noise Level	dB (A)	40/37/32/24	42/39/34/29	42/39/35/29	42/39/35/29	47/42/38/31
	Fuse Current	A	3.15	3.15	3.15	3.15	3.15
	Set Temperature Range	°F	61-86	61-86	61-86	61-86	61-86
Outdoor unit	Noise Level	dB (A)	52	50	56	53	57
	Moisture Protection	--	IPX4	IPX4	IPX4	IPX4	IPX4
	Cooling Operation Ambient Temperature Range	°F	-4~115	-4~115	-4~115	-4~115	-4~115
	Heating Operation Ambient Temperature Range	°F	-13~75	-13~75	-13~75	-13~75	-13~75
	Outdoor Unit Air Flow Volume	m <sup>3</sup> /h	2200	1600	2200	2200	3200
<b>Electrical Data</b>							
Power Supply	Ph-V-Hz	115V~60Hz, 1Ph	208~230V~60Hz, 1Ph	115V~60Hz, 1Ph	208~230V~60Hz, 1Ph	208~230V~60Hz, 1Ph	
Rated Input	W	1250	1450	1550	1600	2450	
Rated Current	A	11.15	5.95	12.6	6.60	12.00	
Cooling Power Input	W	740	700	1182	1089	1700	
Cooling Current	A	8.91	3.25	10.3	4.73	7.50	
Heating Power Input	W	945	780	1172	1126	1625	
Heating Current	A	11.15	3.75	10.2	4.90	7.00	
Rated Heating Current	A	12.35	6.50	13.5	6.96	12.00	
Max. Over Current Protection	A	20	15	30	15	20	
Min. Current (MCA)	A	13	9	21	9	13	

# TECHNICAL SPECIFICATIONS (Split-type Inverter)



Model number			GWH09AFC-A3DNA1A	GWH09AFC-D3DNA1A	GWH12AFC-A3DNA1A	GWH12AFC-D3DNA1A	GWH18AFD-D3DNA1A
<b>Dimensions &amp; Weights</b>							
Indoor unit	Unit Dimension (W×H×D)	inch	35.2 × 11.5 × 8.3	35.2 × 11.5 × 8.3	35.2 × 11.5 × 8.3	35.2 × 11.5 × 8.3	40 × 12 × 8.7
	Shipping Dimension (W×H×D)	inch	37.32 × 14.37 × 11.38	37.32 × 14.37 × 11.38	37.32 × 14.37 × 11.38	37.32 × 14.37 × 11.38	42.5 × 14.9 × 12.4
	Net Weight	lb	23.2	23.2	23.2	23.2	29.8
	Gross Weight	lb	27.6	27.6	27.6	27.6	36.4
Outdoor unit	Unit Dimension (W×H×D)	inch	33.4 × 23.4 × 13	30.8 × 21.3 × 12.6	33.4 × 23.4 × 13	33.4 × 23.4 × 13	38 × 27.6 × 15.6
	Shipping Dimension (W×H×D)	inch	34.69 × 25.39 × 14.29	32.40 × 23.43 × 14.09	34.69 × 25.39 × 14.29	34.69 × 25.39 × 14.29	40.5 × 29.5 × 18
	Net Weight	lb	69.5	66.2	71.1	72.8	104.7
	Gross Weight	lb	76.1	71.7	78.3	79.4	114.7
<b>Piping &amp; Refrigerant</b>							
Refrigerant R410A	oz	R410A/33.5	R410A/28.9	R410A/35.3	R410A/35.3	R410A/49.4	R410A/49.4
Outer Diameter of Liquid Pipe/Gas Pipe	inch	1/4"-3/8"	1/4"-3/8"	1/4"-3/8"	1/4"-3/8"	1/4"-1/2"	1/4"-1/2"

# TOSOT

## Quality Product, Quality Life

✉ [support@tosotdirect.com](mailto:support@tosotdirect.com)

🌐 [www.tosotdirect.com](http://www.tosotdirect.com)

