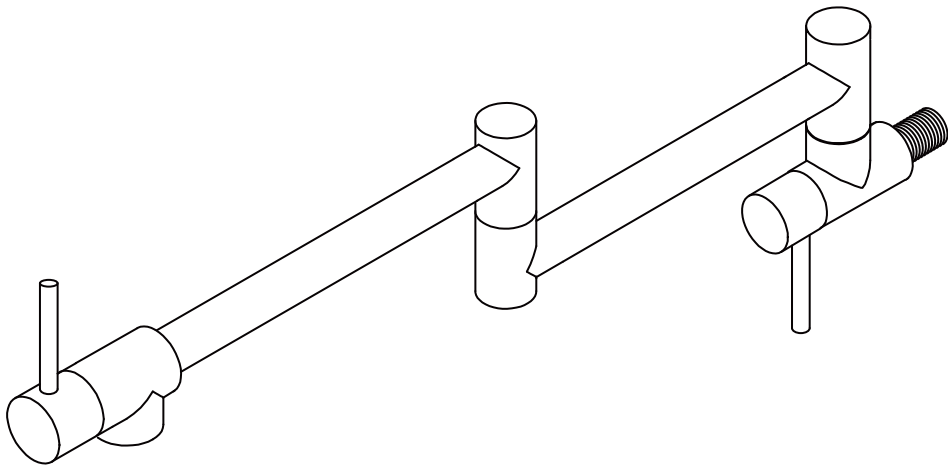


RAZORRI

Pot Filler Faucet

Quick Guide for Pot Filler Faucet

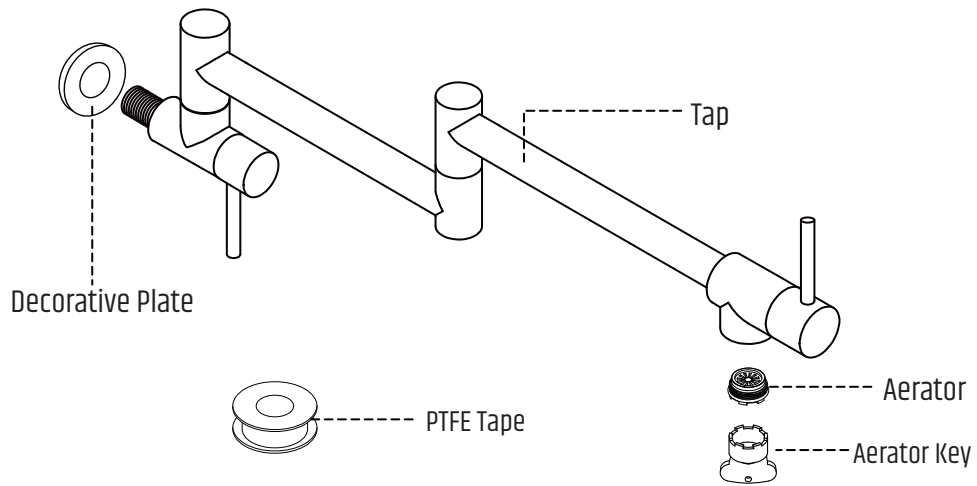


RAZORRI



support@razorri.com
www.razorri.com

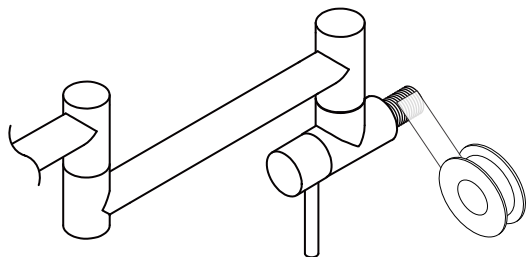
RECOMMENDS THAT ALL PLUMBING PRODUCTS BE INSTALLED
BY A LICENSED PROFESSIONAL



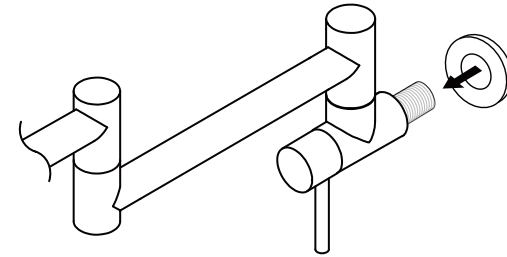
You May Need:



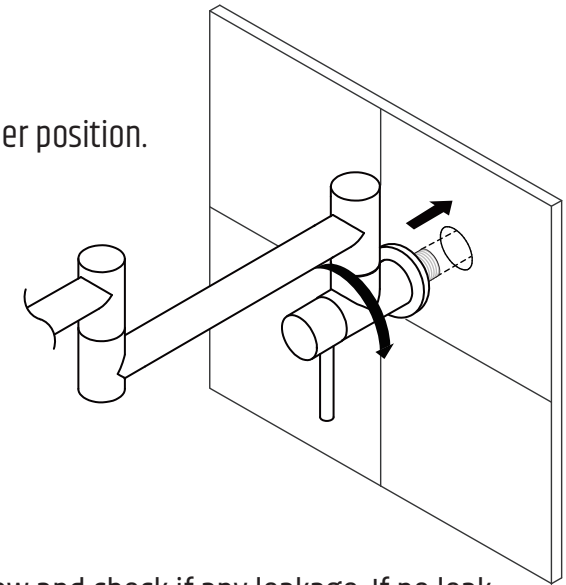
1. Wrap the adapter with PTFE tape.



2. Slide **Decorative Plate** onto inlet of faucet.



3. Screw the **Tap** to the proper position.



4. Open the **Tap** for water flow and check if any leakage. If no leak, attach the **Decorative Plate** tightly to the wall.

