

## Product Description

LED SION grow light provide a bright and flexible rack lighting solution to maximizes the grow space and better quality, create the most advanced spectrum for plant growth, Whether growing cannabis, food or ornamental plants, the grow light was designed for single or multi-tier growers who want to optimize their grow space for the maximum crop yield while producing the highest quality crops.



## Advantage

1. Full spectrum with enhanced red for full grows.
2. Efficacy is up to 3.0 umol/J.
3. Easy to install, just plug and play.
4. Using UL certified driver;
5. Using Samsung LM301b & Osram LED Chip.



## Applications

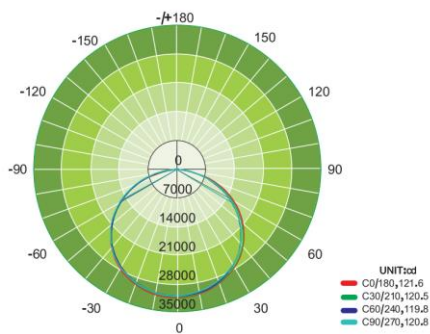
Grow Lighting.



## Specifications

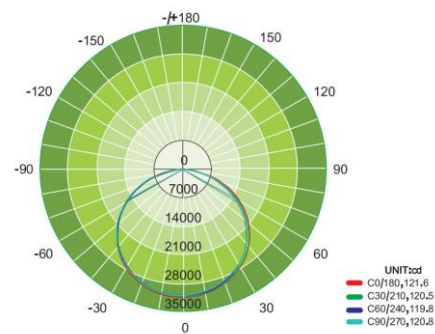
<b>Model No.</b>	LSMB2-660W-Compact	LSMB2-720W
<b>Input Power</b>	660W	720W
<b>PPF</b>	1980 $\mu\text{mol/s}$	2160 $\mu\text{mol/s}$
<b>Efficacy</b>	3.0 $\mu\text{mol/J}$	3.0 $\mu\text{mol/J}$
<b>Weight</b>	24lbs/10kg	26.46lbs/12kg
<b>Spectrum</b>	V1 F1 E1 T1 (Default V1)	
<b>AC Input Voltage</b>	120-277V AC, 347-480V AC, 50/60Hz	
<b>Mounting Height</b>	$\geq 6''$ (15.2cm) Above Canopy	
<b>Viewing Angle</b>	130°	
<b>Thermal Management</b>	Passive	
<b>Max. Ambient Temperature</b>	90°F/35°C	
<b>Dimming</b>	0-10V Dimmable	
<b>Total Harmonic Distortion (THD)</b>	< 15%	
<b>Warranty</b>	5 years	

## Photometrics



AVERAGE BEAM ANGLE(50%):120.7 DEG

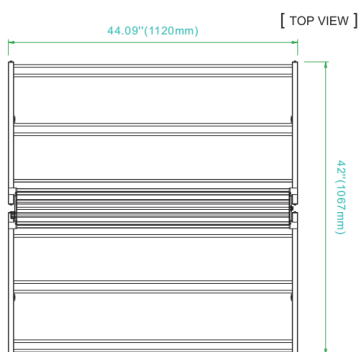
660W



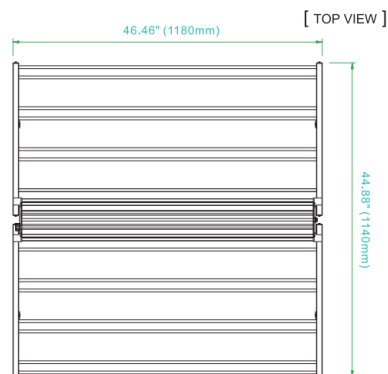
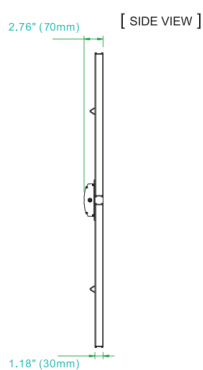
AVERAGE BEAM ANGLE(50%):120.7 DEG

720W

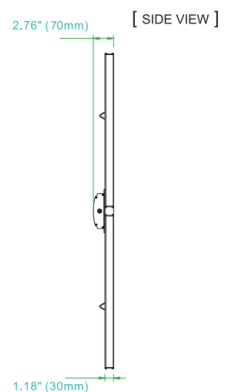
## Dimensions



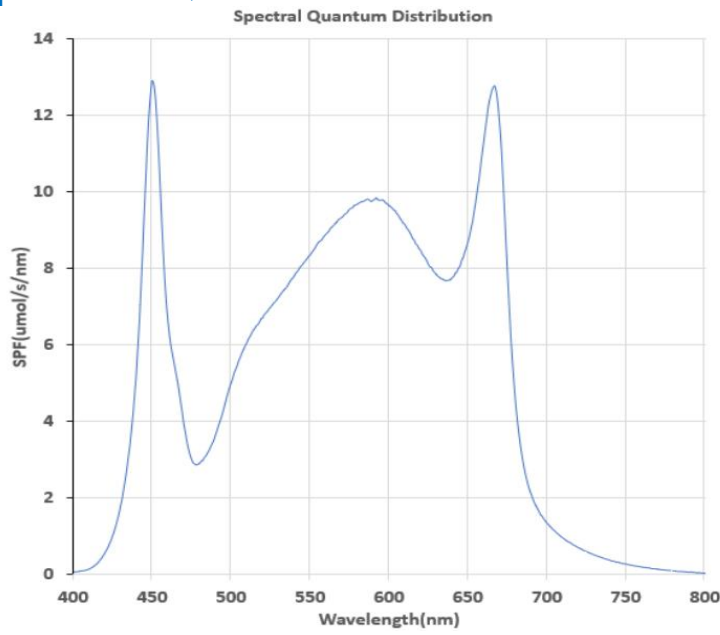
660W



720W

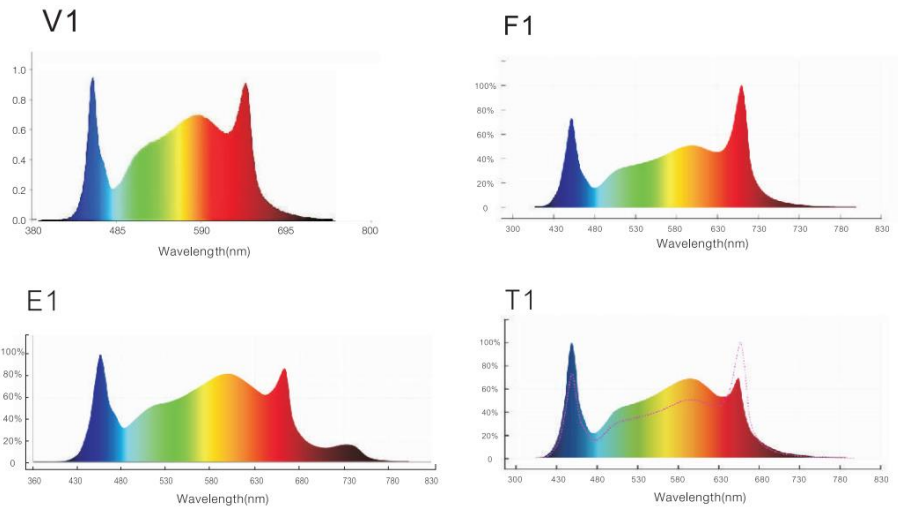


## Par Value (3.0 $\mu\text{mol}/\text{m}^2/\text{s}$ )

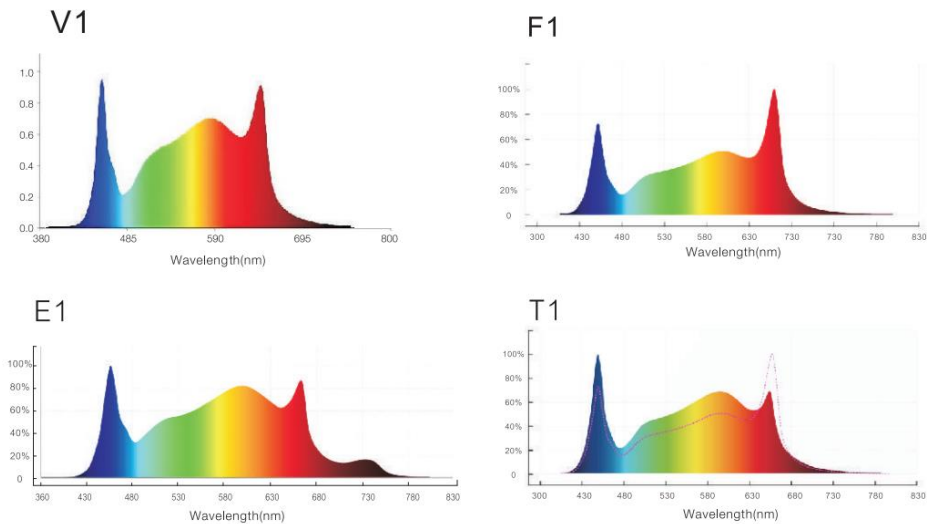


## Spectra

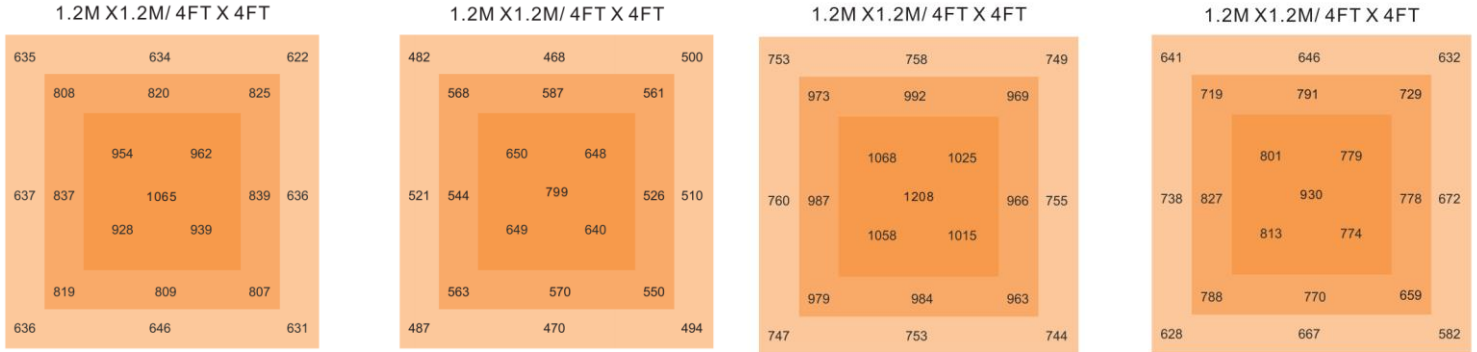
### 1. 660W



### 2. 720W

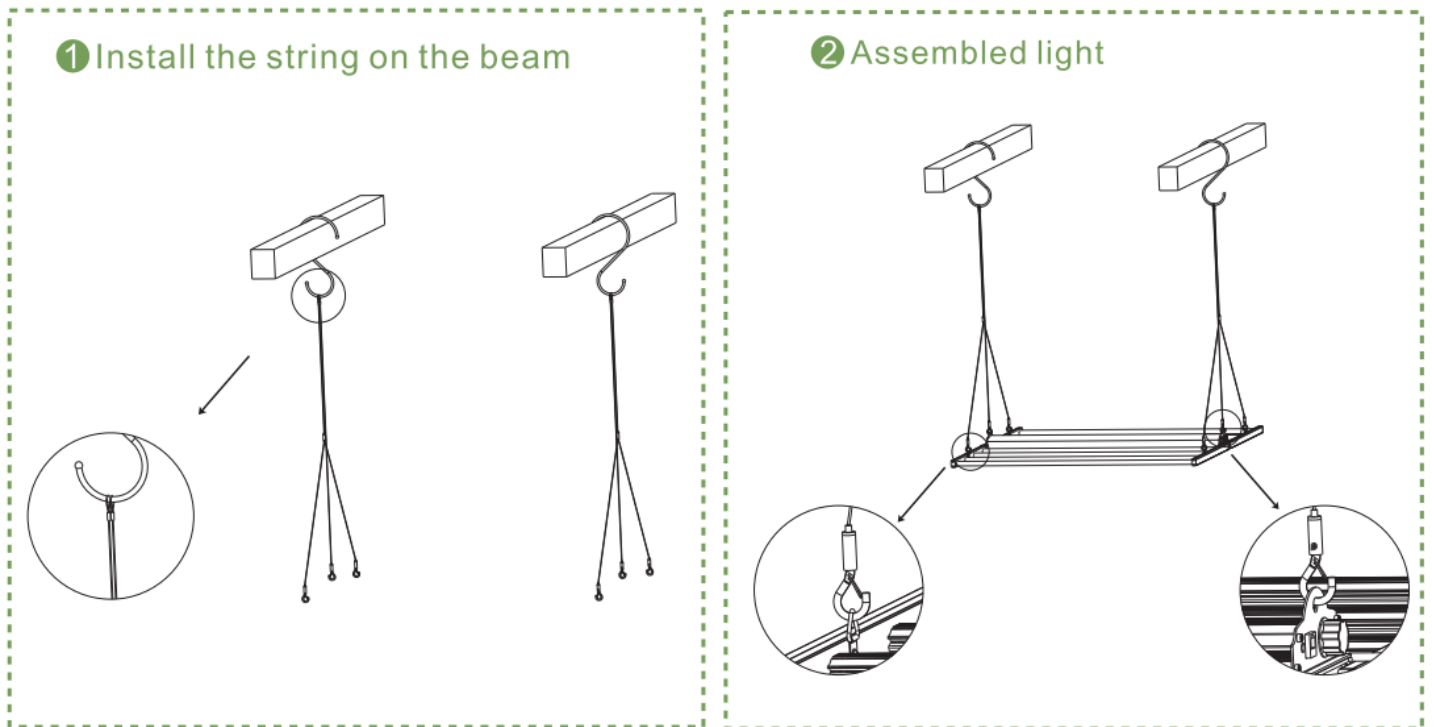


## PPFD Distribution



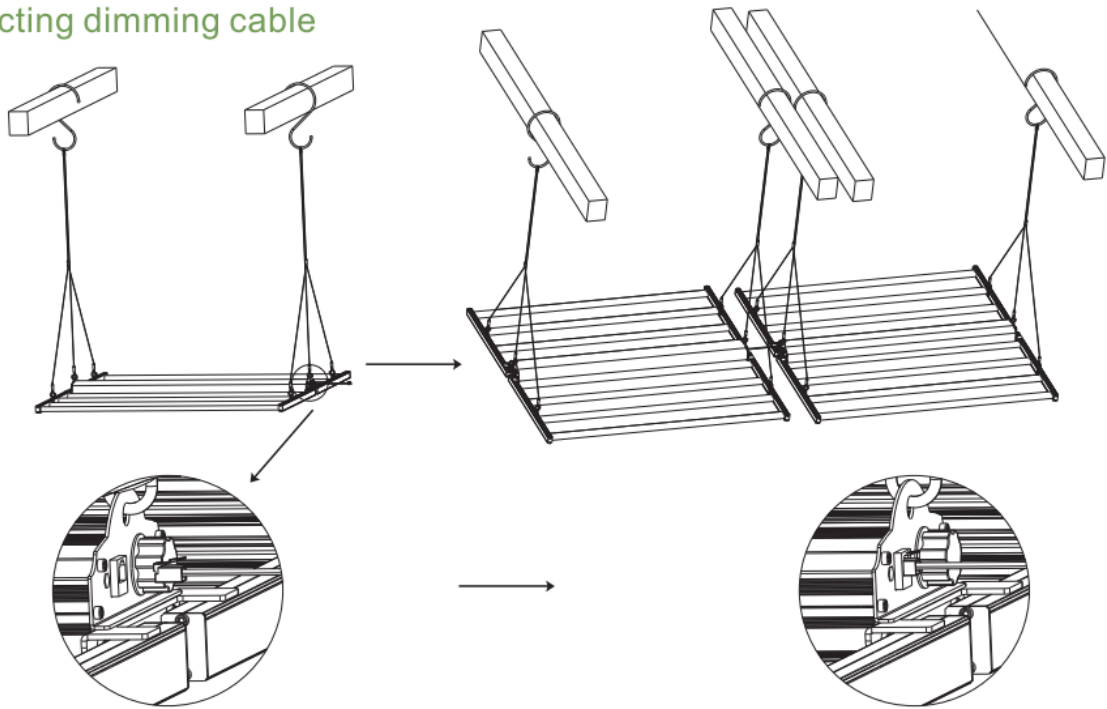
## Installation steps:

The LED Chips are fragile, please don't touch it



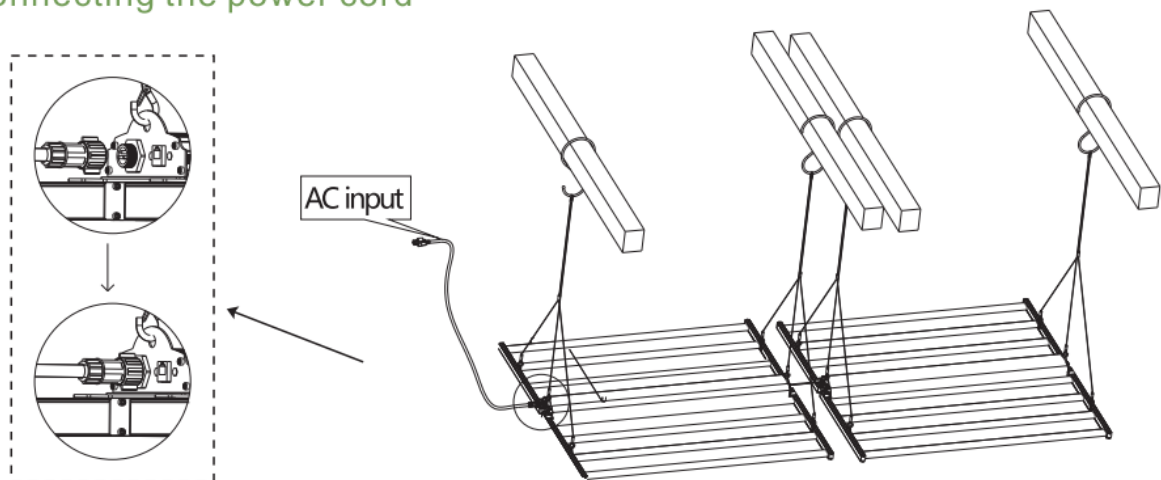


### ③ Connecting dimming cable

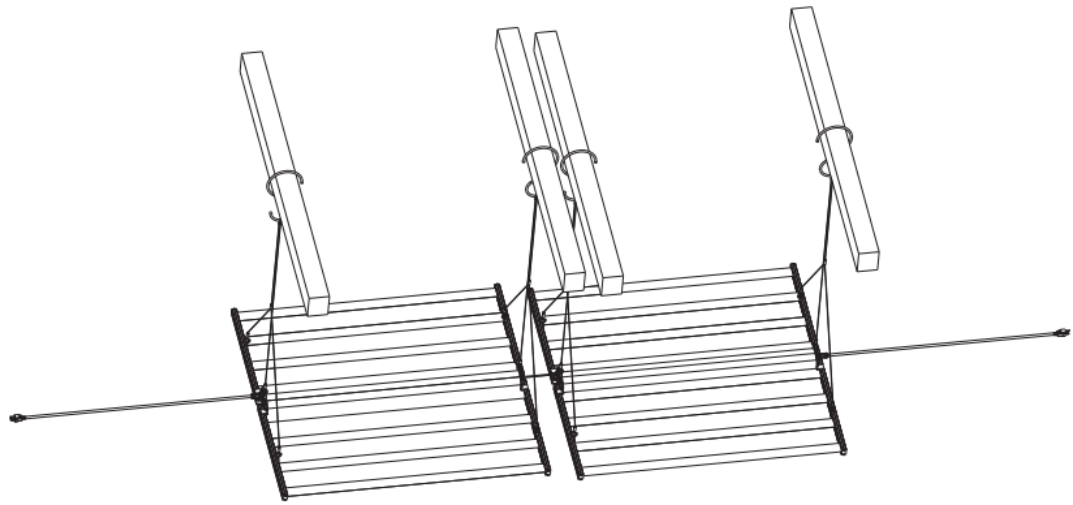


The connections of the second light refers to the first light

### ④ Connecting the power cord



5 All set



## Notice For User

- ◆ Please turn off power before install or change assembly parts.
- ◆ The input voltage and lamps should be matched, after connecting the power line, Please make sure the wiring section is insulated.
- ◆ No-professionals, must not install and disassemble the lamps.

## Trouble Shootings

Troubles	Check points
Flickering of the light	Turn off the power and turn on again in 3 minutes. If same phenomena occur, then call agencies.
Out of working	Please check the connection.