

# LED SION LED PARKING GARAGE AREA LUMINAIRE



Project Information \_\_\_\_\_

Type \_\_\_\_\_

Name \_\_\_\_\_

Voltage \_\_\_\_\_

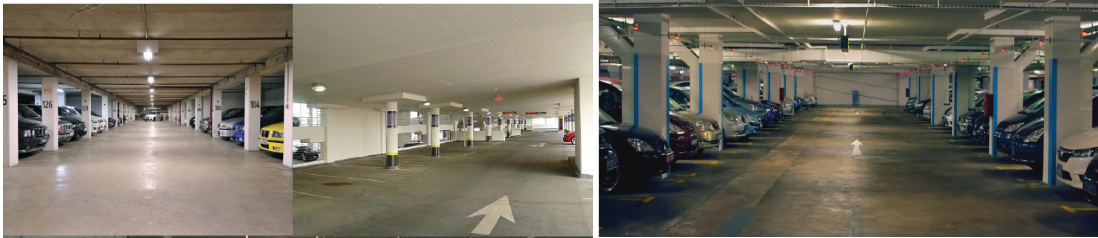
## Product Description

LED SION canopy light has a traditional canopy light look design intended for outdoor ceiling mounted applications, combines the latest in LED technology including weathertight IP65 LED driver LED driver and thermal management. high-performance illumination that lasts 50,000HRS, Its ideal for replacing 80-100W metal halide, with typical energy savings of 80%.



## Application

Widely used in gas station, service station, underground parking lot, warehouse, garage, Work floor, factory, etc.



## Electric Characteristic

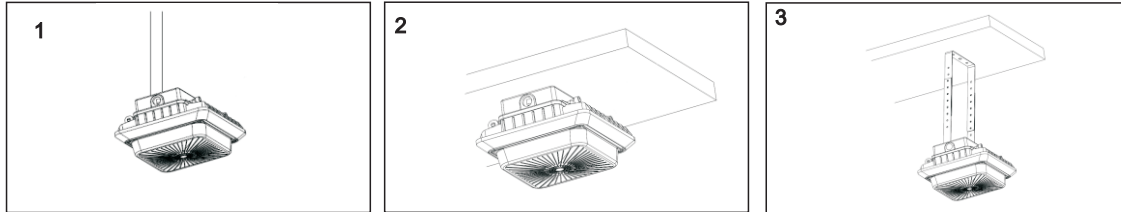
Specification/Model	LS-NCPV4-40WAAN-aaK
LED Chips	SMD 2835
Input power	40W
Lumens output	5200LM
Efficiency	130LM/W
CRI	>80Ra
Color Temperature	4000K/4500K/5000K/5700K
Input voltage	100-277V China Brand Driver
Lighting beam Angle	160D
Waterproof Rating	IP 65
Working temperature	-20~+45°C
Junction temperature	<75°C
lamps efficiency	≥90%
Certificates	DLC UL
Equivalent	80-100W MH/HPS

## Ordering Information

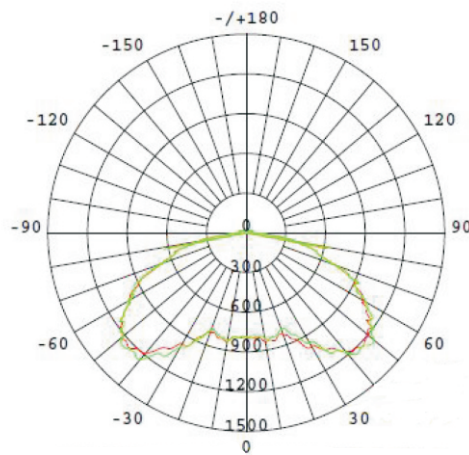
Example: LS-NCPV4-40WAAN-40K-N-T

Product	Power	Replacement	Color Temperature	Motion sensor	Furnish
LS-NCPV4-40WAAN-aaK	40W	80-100W MH/HPS	40K 4000K 45K 4500K 50K 5000K 57K 5700K	Y=Yes N=No	T-White

## Installation Options



## Photometrics

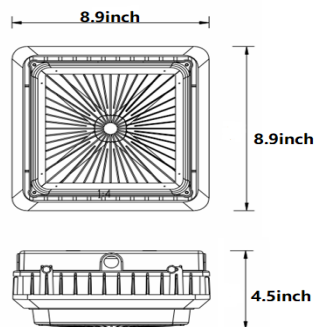


## Projected LED Lumen Maintenance

Operating hours	0	25000	50000
Lumen maintenance factor	1	0.91	0.8

Data references the extrapolated performance projections for the Parking Garage LED platform in a 25°C ambient, based on 10,000 hours of LED testing (tested per IESNA LM-80-08 and projected per IESNA TM-21-11).

## Dimensions:



## After sale Service:

The product refers to electricians knowledge. Please don't disassemble it by yourself. If any quality problem happens, please contact the factory for warranty details.

NOTE: Actual performance may differ as a result of end-user environment and application. All values are without notice.