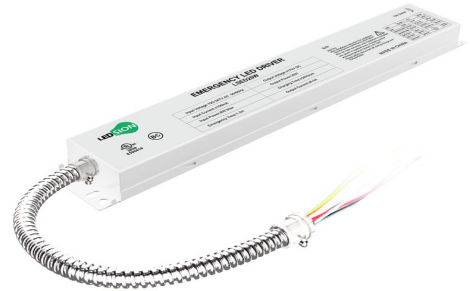




100-347Vac

EMERGENCY LED DRIVER

LSED20W



HIGH VOLTAGE OUTPUT
175VDC

CONSTANT POWER
EMERGENCY OUTPUT

Self Test

CAUTION: The Emergency LED driver must connect to 0/1-10V dimming wires(DIM+,DIM-) of the fixture if the LED luminaire power is exceed the emergency LED driver power.

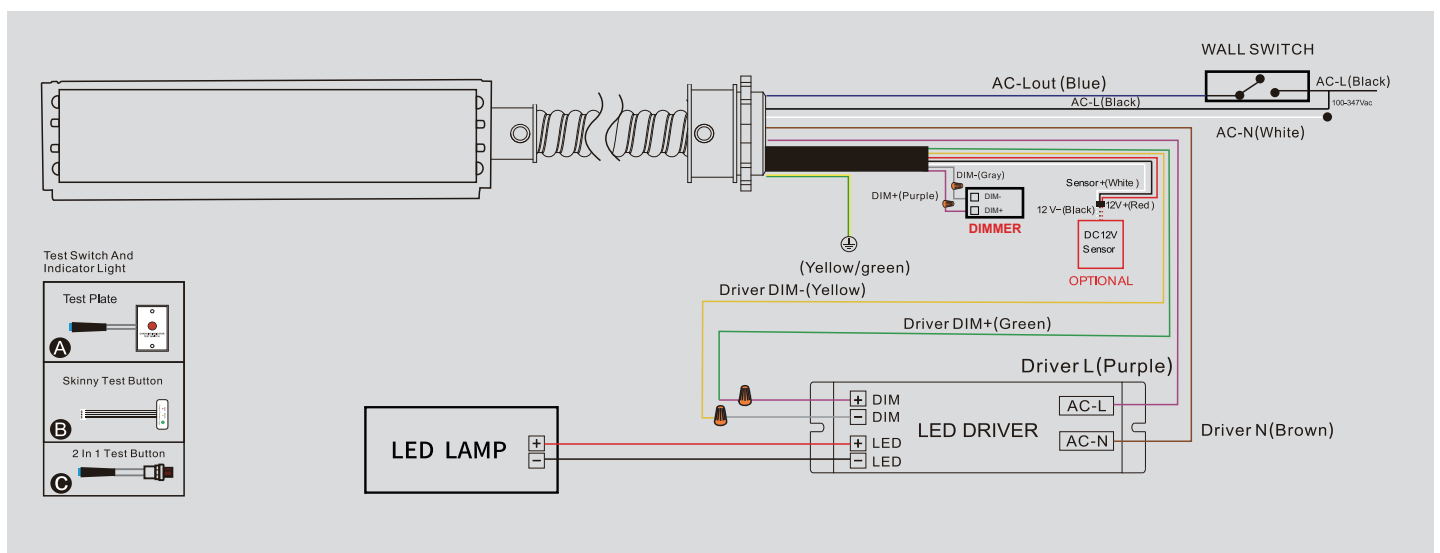
MODEL NO.	LSED20W	Discharging Time	≥90 Minutes
Input Voltage	100-347Vac , 50/60Hz	Charging Time	≥24 Hours
Input Current	≤100mA	Conduit length	17.7 "(450mm)
Input Power	8W max	Battery	Li-ion Battery
Output Voltage	≤175Vdc	Full Warranty	5 Years
Output Power	20W	Dimensions	12.91" x1.9" x0.94" (328x50x23.8mm)
Application	① ≤150W(0/1-10V Dimmable Fixture) ② ≤20W LED Lamps without dimming function	Ambient temperature	0 C to+50 C (32°F to122°F)

Wiring Diagram

Wiring 1 : For LED Driver With Input Power Higher Than Emergency Output Power

0/1-10V Dimmable LED Driver + Dimmer Switch

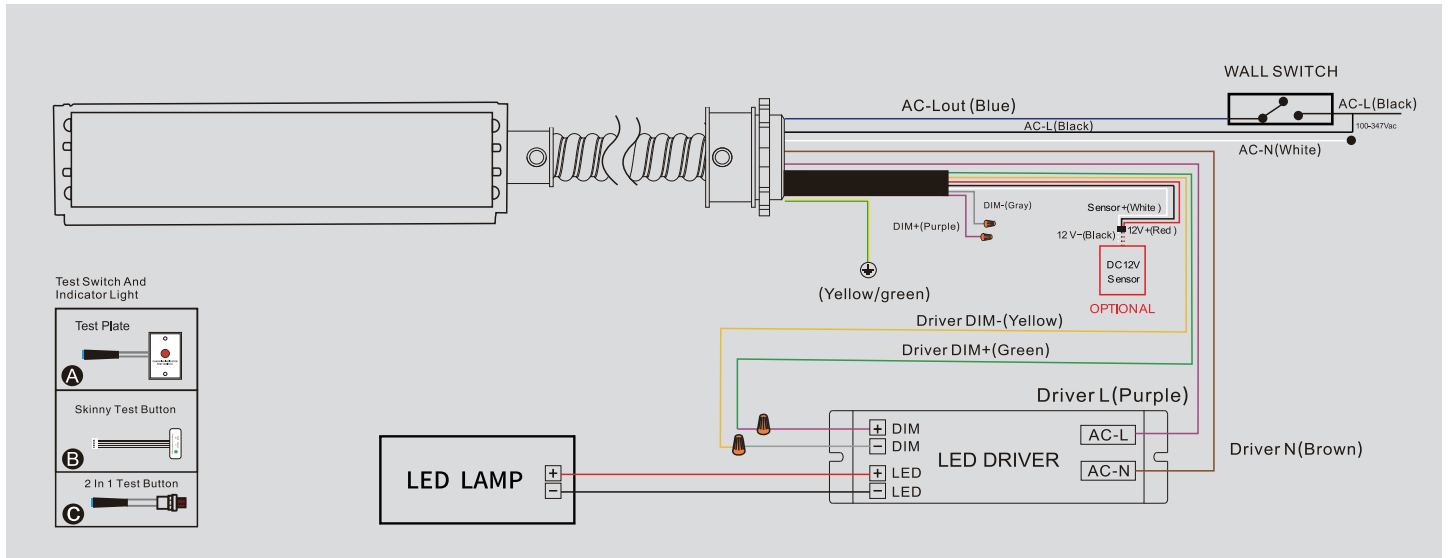
Emergency Driver Dim+(Green) , Driver Dim-(Yellow) Have to connect with LED driver DIM+ and DIM-



Wiring 2 : For LED Driver With Input Power Higher Than Emergency Output Power

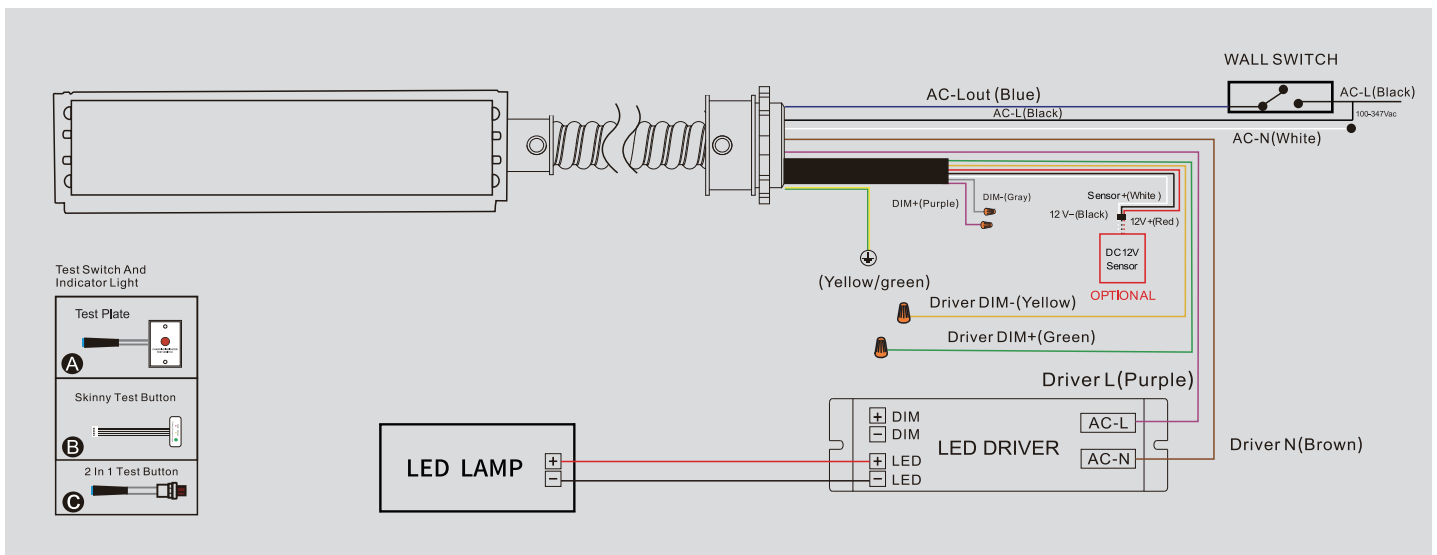
0/1-10V Dimmable LED Driver + Wall Switch

Emergency Driver Dim+(Green) , Driver Dim-(Yellow) Have to connect with LED driver DIM+ and DIM-



Wiring 3 : For LED Driver With Input Power Less Than Emergency Output Power

NON Dimmable LED Driver



IMPORTANT SAFEGUARDS

When using electrical equipment, basic safety precautions should always be followed including the following

PLEASE READ AND FOLLOW ALL SAFETY INSTRUCTIONS.

IMPORTANT: Before installing, make certain the AC Power to the fixture is off to avoid electric shock.

IMPORTANT: Do not connect battery connector until all wires are completely installed and before the AC power to the fixture is back on.

IMPORTANT: An un-switched AC power source of 100VAC to 347VAC is required. This device is designed for use in fixtures listed for dry and damp locations.

IMPORTANT: Verify that all replacement lamp types marked on the installed luminaire are also identified as suitable for use with this emergency battery pack.

IMPORTANT: It is recommended to charge the battery within half a year to prevent over discharge

CAUTION: Make sure all electrical connections conform to the National Electrical Code and all applicable local regulations.

CAUTION: Do not let power supply cords touch hot surfaces.

CAUTION: Do not mount near gas or electric heaters