

Product Description

LED SION UFO Highbay light use unique Elliptical concave surface which can gives the best lighting performance, use high grade aluminum housing, anti-corrosion painting IP65 design.

High-performance illumination which can lasts 50,000HRS, Replace 600-1000W MH/HPS.

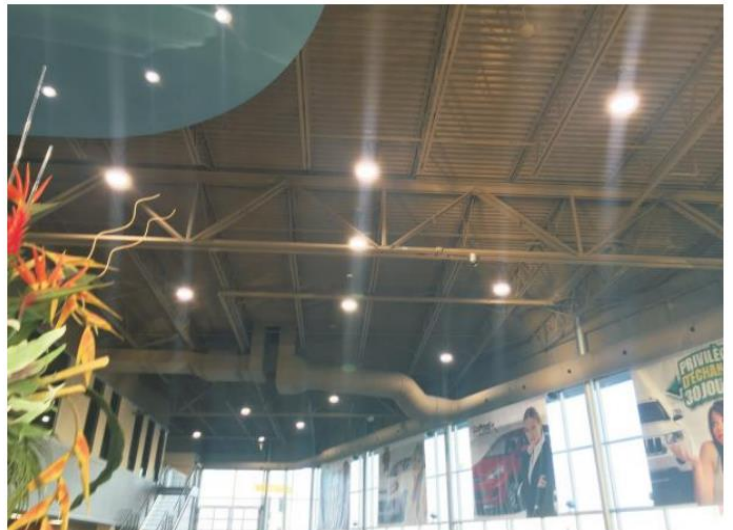
Advantage

- UL cUL certificate.
- Brightest SMD LED, high CRI.
- IP65 driver, input voltage 100-277VAC.
- No UV or IR in the beam.
- Easy to install and operate.
- Energy saving, long lifespan.
- Instant start, NO flickering, NO humming
- Green and eco-friendly without mercury
- Output constant current lever can be adjusted through output cable with 0-10V PWM Resistance three in one dimming.



Applications

Food Warehouse, factory and workshops; Highway toll station and gas station; Exhibition hall; Gymnasium and supermarkets, etc.

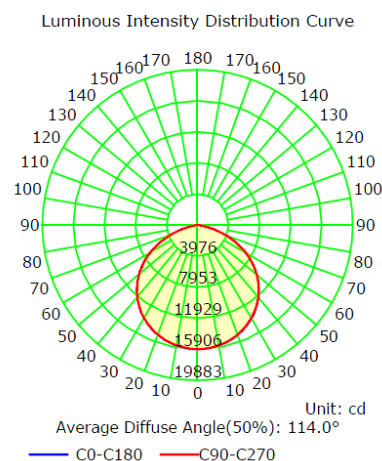


7G UFO High Bay

Specifications

Model No.	LS7EHB300WSBCGD1-abcd
Input Power	300W
Lumen	42000-55000 lm
Lumen Efficacy	140-150 LM/W
Color Temperature	4000K, 4500K, 5000K, 5700K
CRI	>80
Viewing Angle	110°
Input Voltage	100-277VAC 50/60Hz
PF	≥0.9
THD	≤20%
Driver Brand	China Brand Driver (1-10V/PWM/Resistance three in one dimming)
Optional Accessory	Motion Sensor/Surge-Protective Device
LED Type	SMD 2835 (0.5W)
LED QTY	1008pcs
Housing	Aluminum + Tempered Glass
Housing Color	Any color
Waterproof Rating	IP65
Operating Temperature	-40°C TO 45°C
Operating Humidity	20%-90% RH
Storage Temperature	-40°C TO 80°C
Storage Humidity	10%-95% RH
Warranty Time	5 Years
Note	<p>LS=Company Name; 7EHB=Product series, LED UFO Highbay; 300W=Rating Power S= Driver manufacturer, SOSEN; B= LED manufacturer, Lumileds 2835. CG=cover type, could be Flat clear glass. D1 = Version number a=Stand for lamp color, Can be any two letters b= Surge-Protective Device, Can be S or blank c= Motion Sensor, can be M or blank, d=CCT,40=4000K, 45=4500K, 50=5000K 57=5700K</p>

Photometrics



<http://www.ledsion.com>

FREE:1-9729517795

E-mail:info@ledsion.com

Add:3#GUANLAN OPTO INDUSTRIAL PARK,SHENZHEN,GUANGDONG,CHINA



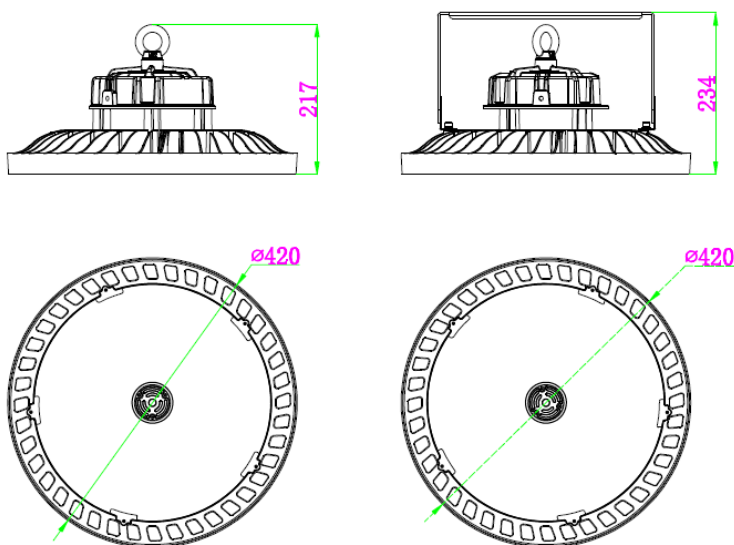
7G UFO High Bay

Projected LED Lumen Maintenance

Operating hours	0	25000	50000
Lumen maintenance factor	1	0.91	0.8

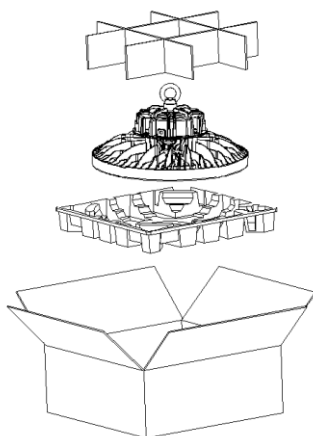
Data references the extrapolated performance projections for the LED Bollard LED platform in a 25°C ambient, based on 10,000 hours of LED testing (tested per IESNA LM-80-08 and projected per IESNA TM-21-11).

Dimensions



Package Info.

Model	Carton Dimension	Qty/Carton	N.W	G.W
300W	480*480*225mm	1PCS	6.8KG	8.5kg



<http://www.ledsion.com>

FREE:1-9729517795

E-mail:info@ledsion.com

Add:3#GUANLAN OPTO INDUSTRIAL PARK,SHENZHEN,GUANGDONG,CHINA



7G UFO High Bay

Notice For User

- ◆ Please turn off power before install or change assembly parts.
- ◆ The input voltage and lamps should be matched, after connecting the power line, Please make sure the wiring section is insulated.
- ◆ No-professionals, must not install and disassemble the lamps.

Trouble Shootings

Troubles	Check points
Flickering of the light	Turn off the power and turn on again in 3 minutes. If same phenomena occur, then call agencies.
Out of working	Please check the connection.