

NEO-ANGLE SHOWER

INSTALLATION MANUAL

WARNING! Unpack your shower kit with care. Glass panels are fragile.

Place glass panels in an upright, safe location to avoid damage.

DO NOT PLACE GLASS PANELS ON A HARD SURFACE.

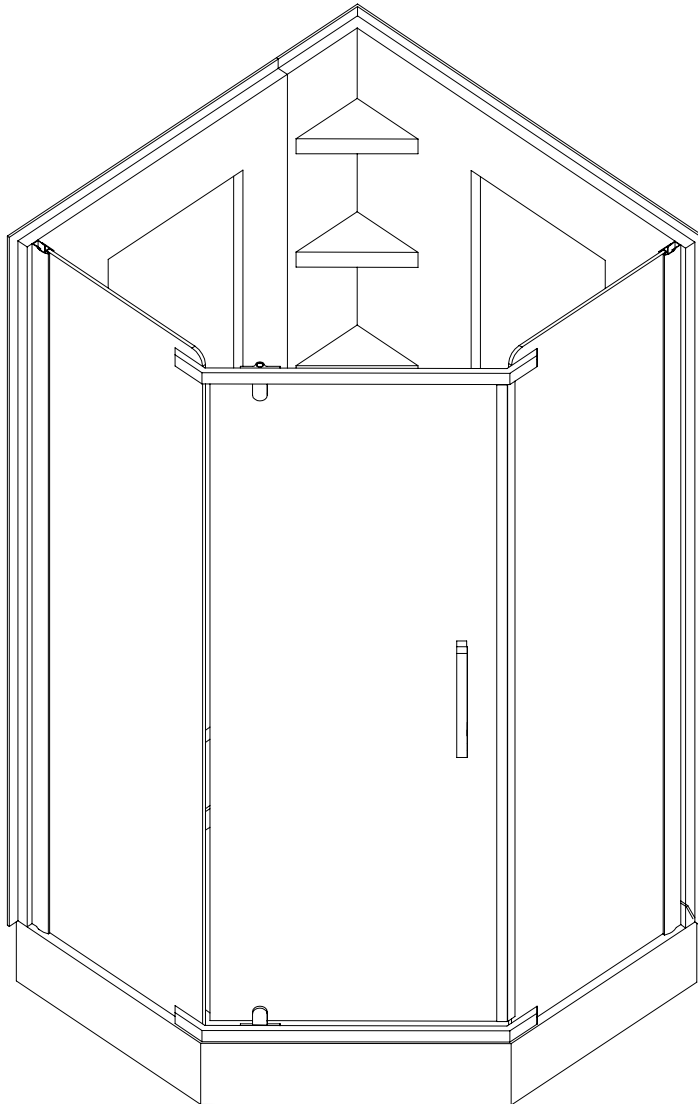
Read all instructions carefully before product installation.

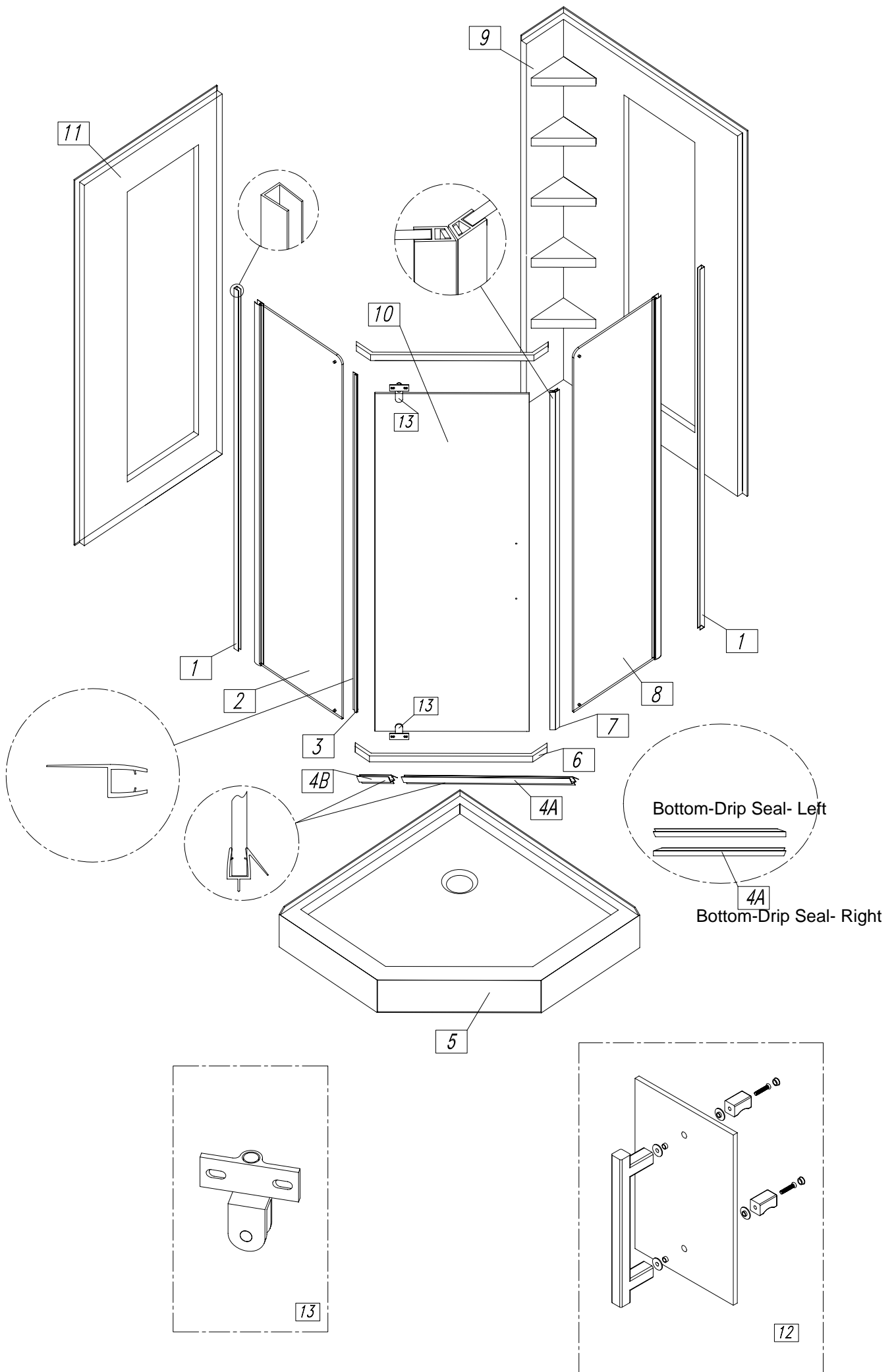
Thoroughly inspect your product before proceeding with the installation.

The warranty will be void if the product is installed with a conspicuous defect.












CAUTION

Save this manual for the future reference.

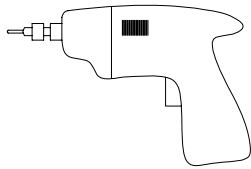




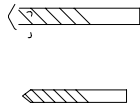
PARTS LIST

 Ref. : A	Ref	DESCRIPTION	Qty.
	1	Wall Channel	2
	2	Stationary Panel-Left	1
 Ref. : B	3	Door Seal (Hinge-Side)	1
	4A	Bottom Drip Seal-Right	1
	4B	Bottom Drip Seal-Left	1
 Ref. : C	5	Shower Base	1
	6	Door Pull Bar	2
 Ref. : D	7	Magnetic Door Seal Strips	2
	8	Stationary Panel-Right	1
	9	Shower Wall-Right	1
 Ref. : E	10	Glass Door Panel	1
	11	Shower Wall- Left	1
 Ref. : F	12	Door Handle	1
	13	Glass Clamp	2
 Ref. : G	A	M4X30 Truss Head Screw	8
 Ref. : H	B	ST4.2X10 Self-Drilling Screw	6
 Ref. : I	C	Door Pull Bar Screw M8X22	8
 Ref. : J	D	Door Clamp Screw M6X12	2
 Ref. : K	E	Shower Wall Combined Screw	5
	F	M8 Screw Washer	8
	G	M8 Screw Cover	8
	H	COVER A for ST4.2X10 Self-Drilling Screw	6
	I	M6 Screw Cover	2
	J	M8 Plastic Washer	8
	K	Cover B for ST4.2X10 Self-Drilling Screw	6
	L	Handle Screw Cover	2
	M	Plastic Washer Of Handle Screw	4
	N	Handle Screw Washer	2
	O	Handle Screw M5X25	2

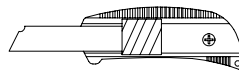
TOOLS AND MATERIALS REQUIRED



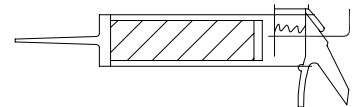
DRILL



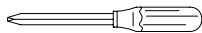
MASONRY, 1/4"ET, 1/8" DRILL BITS



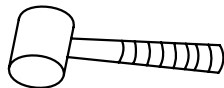
PRECISION KNIFE



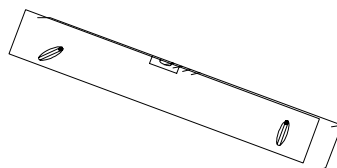
SILICONE



SCREWDRIVER



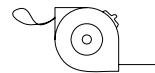
MALLET



LEVEL



PENCIL



MEASURING TAPE

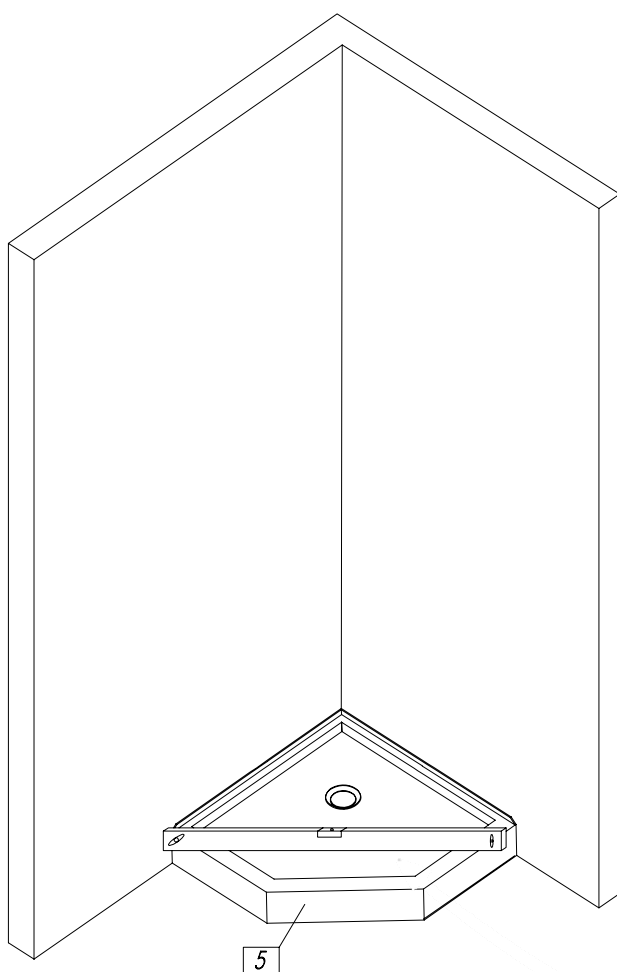
1.BASE INSTALLATION PREPARATION

It is very important to make sure that the Base is level and properly supported.

To compensate for any irregularities in your floor,adjust the legs underneath the base by turning the screw until the correct position is reached.

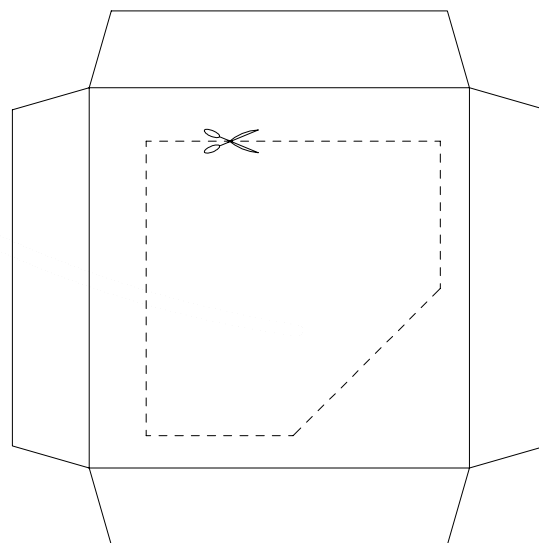
WARNING!

Walls in your bathroom must be leveled and square for an optimal installation.



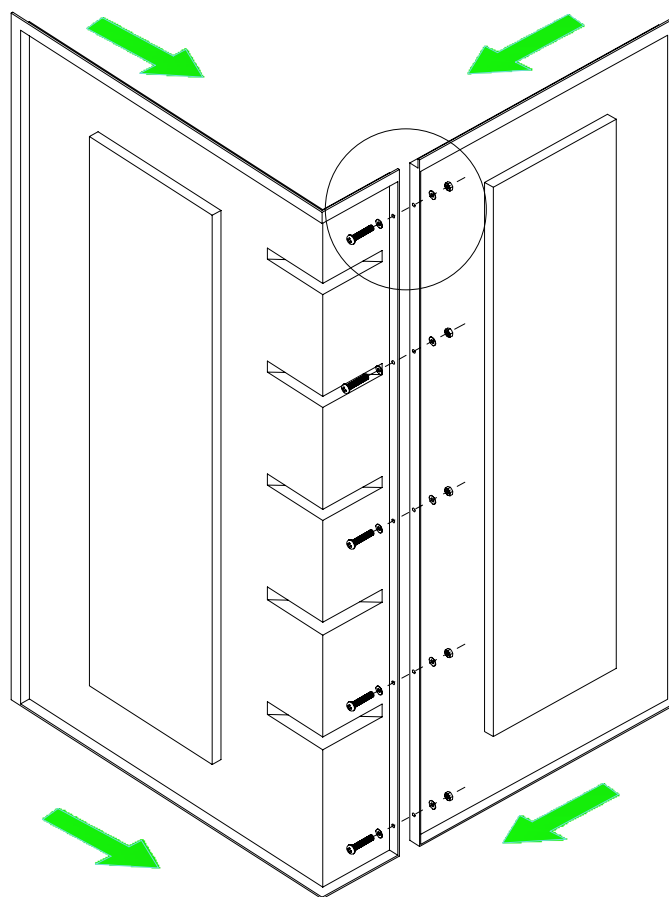
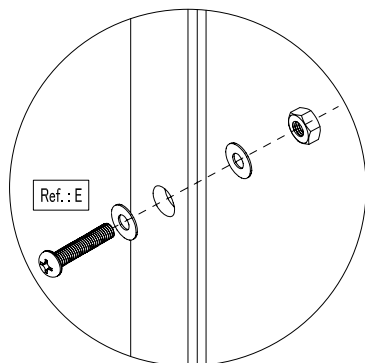
SHOWER BASE

MAKE SURE THE BASE IS LEVEL



Please note:The base should be installed on cement.Any tiled wall must be finished down to the base ledge,covering the base lip.

2.SHOWER ENCLOSURE ASSEMBLY

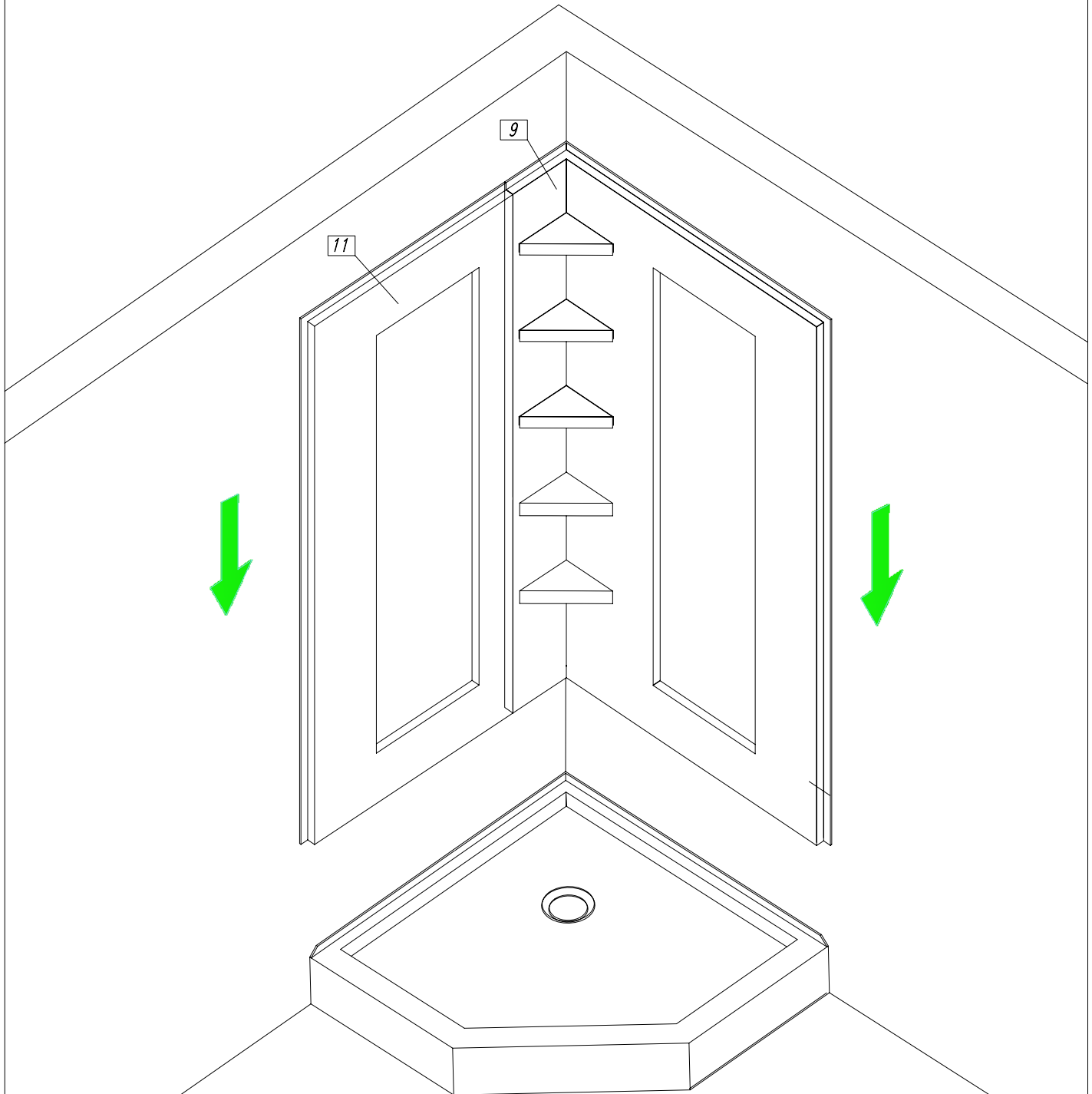


3. INSTALL THE SHOWER ENCLOSURE ON THE BASE

Please note: Throughout these instructions, installation is shown with the optional shower enclosure. The installation may also be done with tiled and properly waterproofed walls.

The installation procedure is the same for installation on tiled walls.

The only difference resides in the wall channel installation, which will be screwed directly into the wall instead of the shower enclosure.



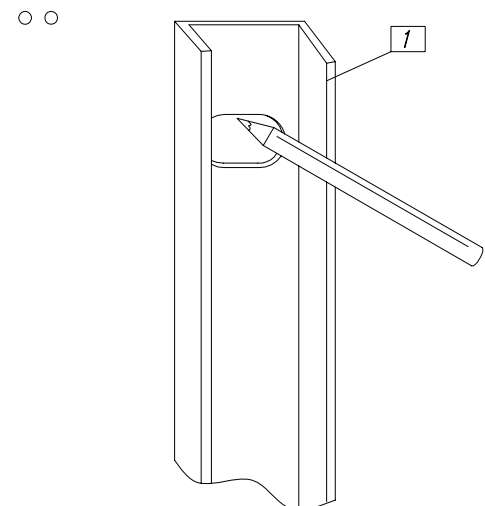
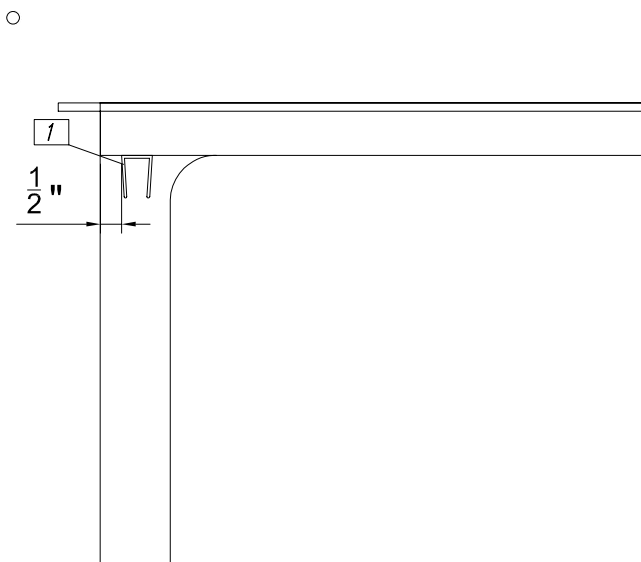
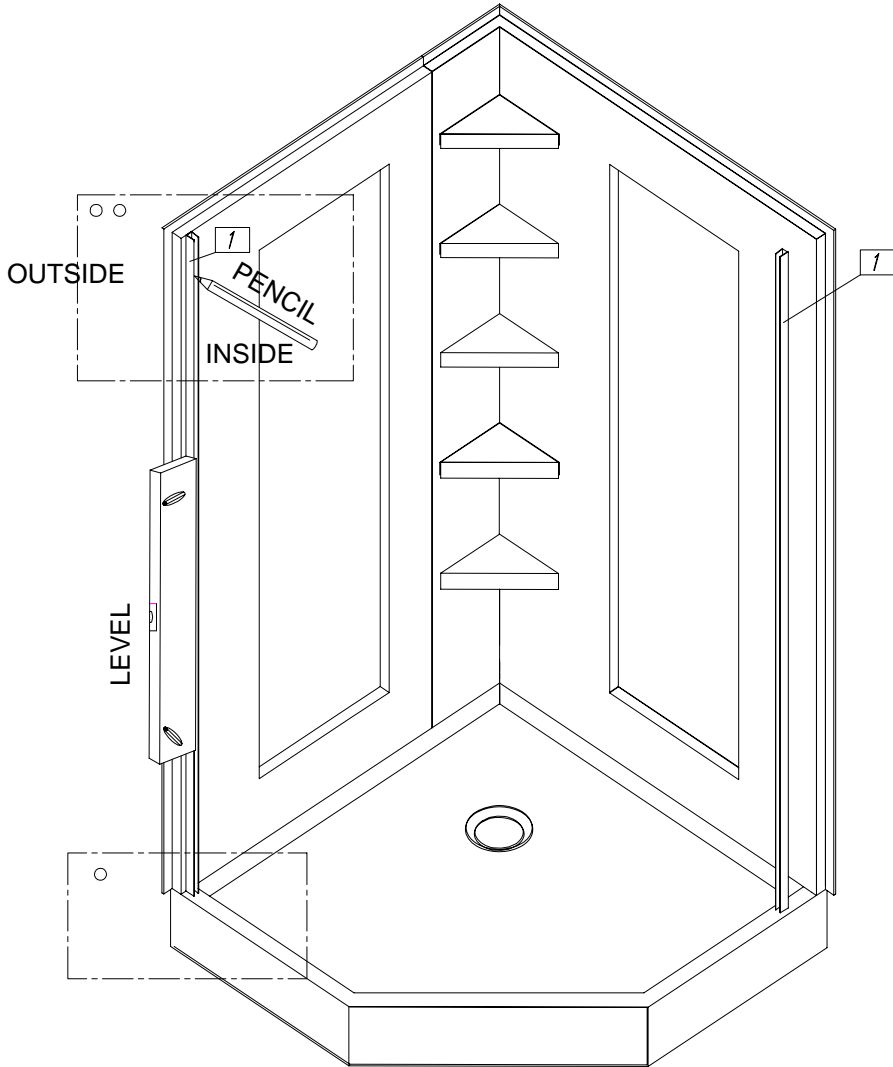
Please note: The shower enclosure rests directly on the base.
No screws are required.

4.WALL CHANNELS POSITIONING

Use a level to plumb wall channels against the edges of the shower enclosure.

Mark all mounting holes with a pencil on the inside of the wall channel.

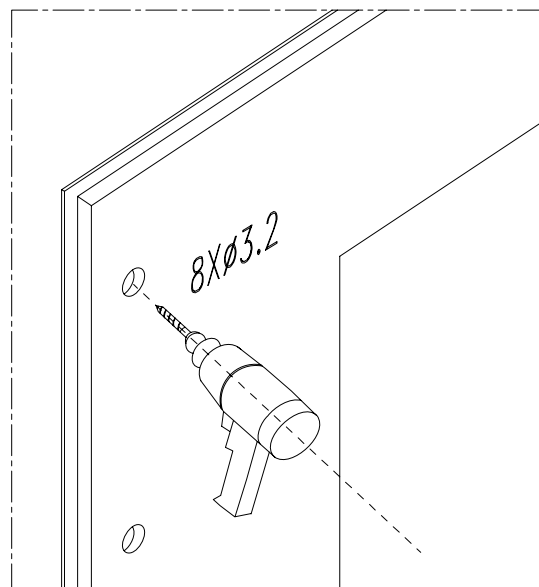
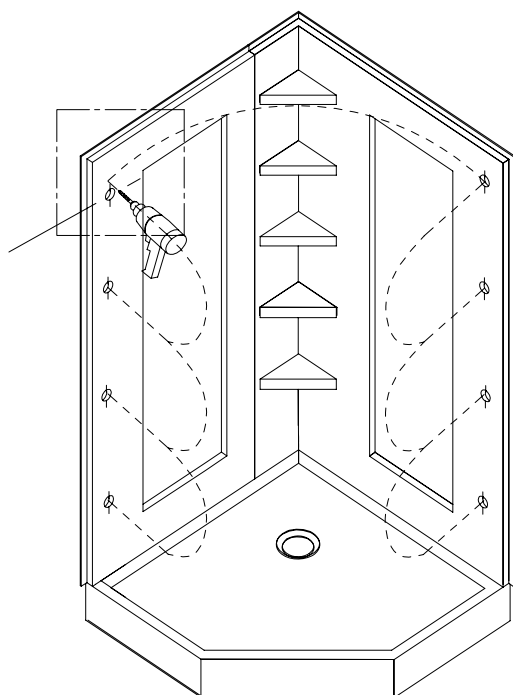
Repeat on the other side.



5.WALL CHANNELS INSTALLATION

Remove wall channels and drill holes at each mounting hole location.

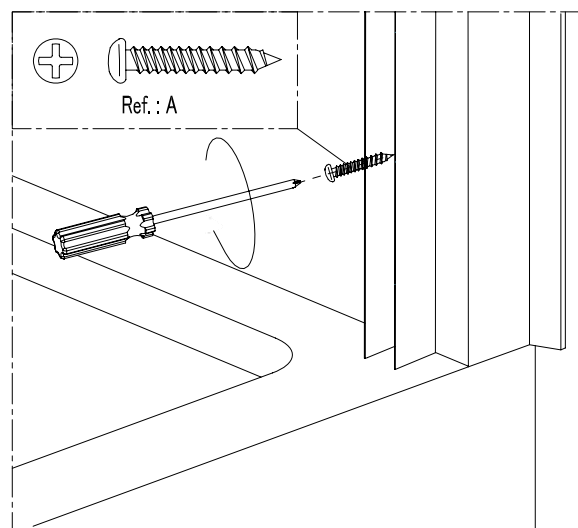
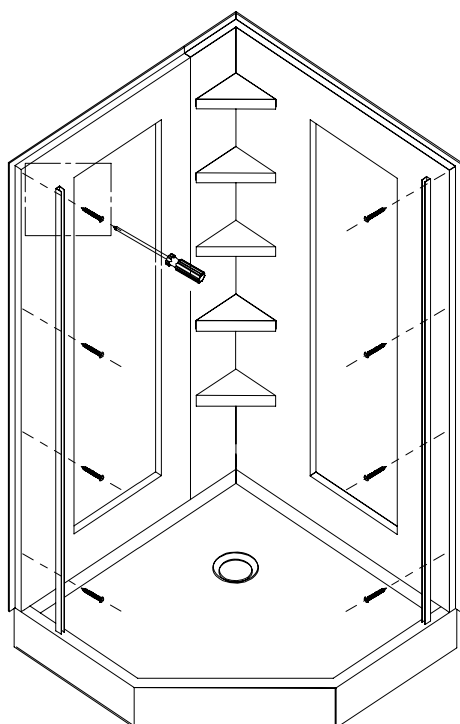
Repeat on the other side.



After drilling,insert wall anchors.

Replace wall channels and secure to walls with M4X30 truss head screws.

Repeat on the other side.



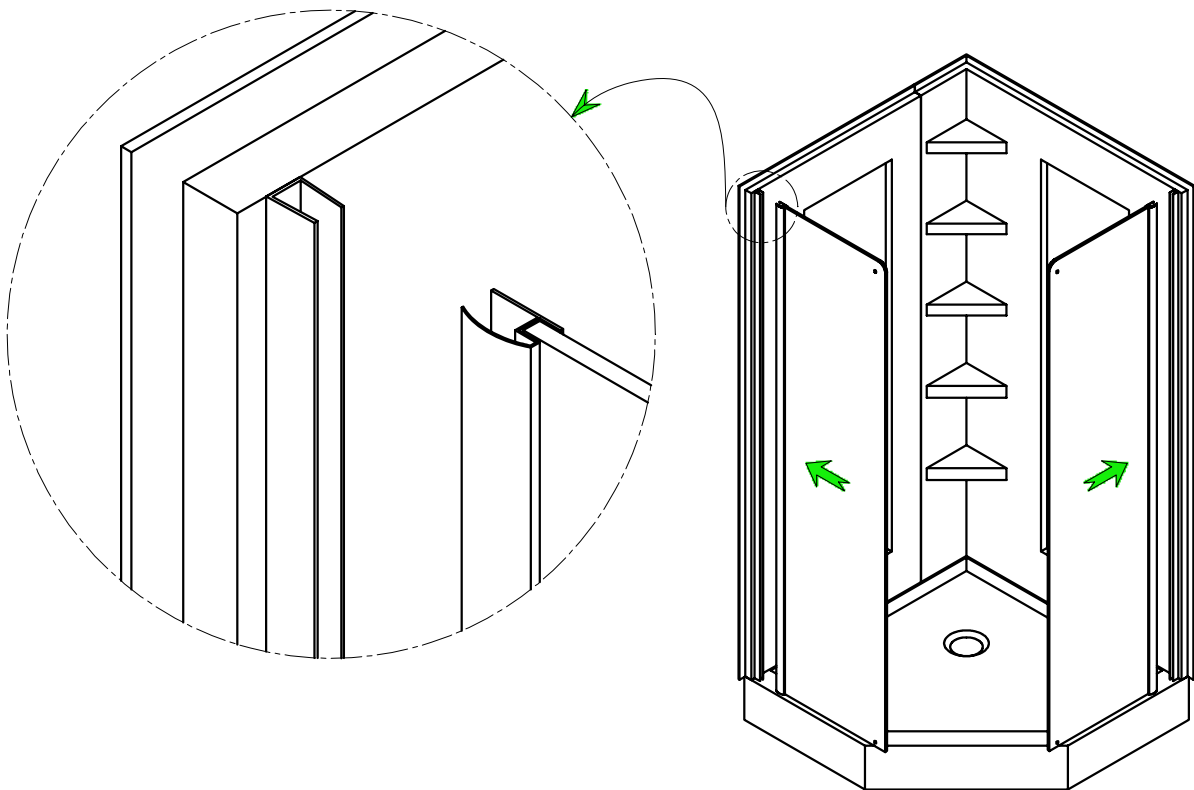
6. GLASS DOOR INSTALLATION

When installing glass panels, make sure that you have a firm grip on the glass.

Insert the back of glass panel into the wall channel as shown. Repeat on the other side.

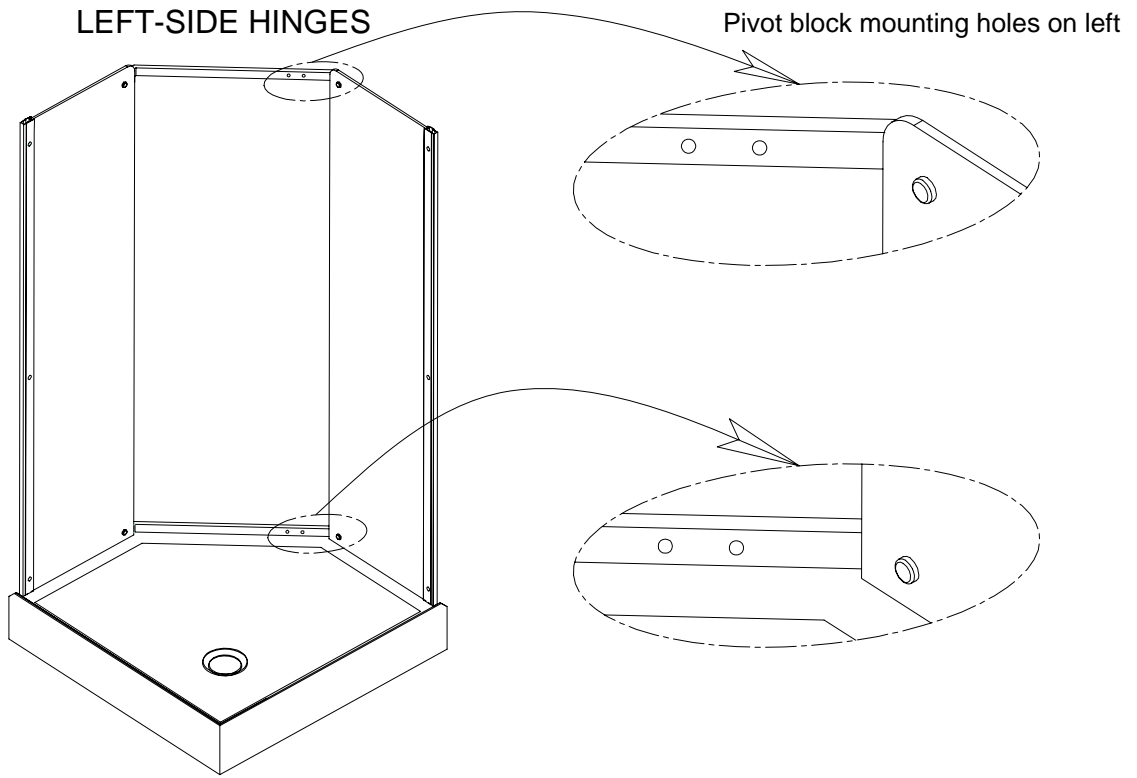
When orienting the glass panels, make sure that bent channels are on the outside of the shower.

NOTE: If glass panels have a pattern, the pattern should go to the outside.



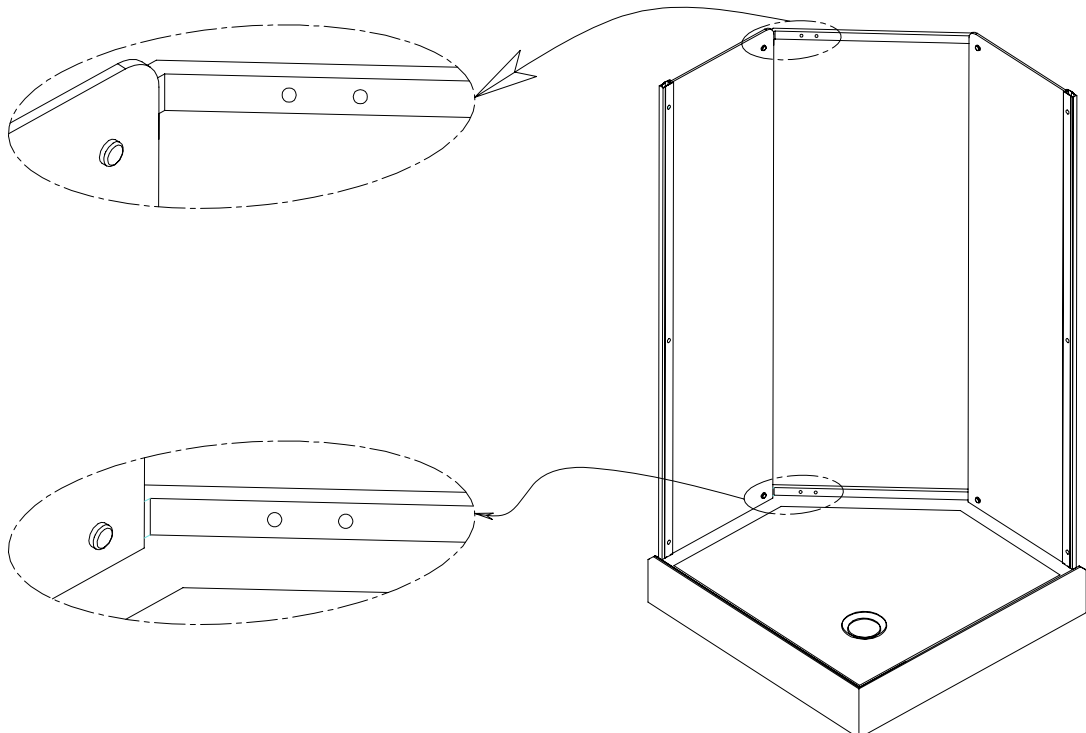
7. LEFT OR RIGHT HINGE INSTALLATION

LEFT-SIDE HINGES



Pivot block mounting holes on right

RIGHT-SIDE HINGES



8. GLASS DOOR PULL BAR INSTALLATION

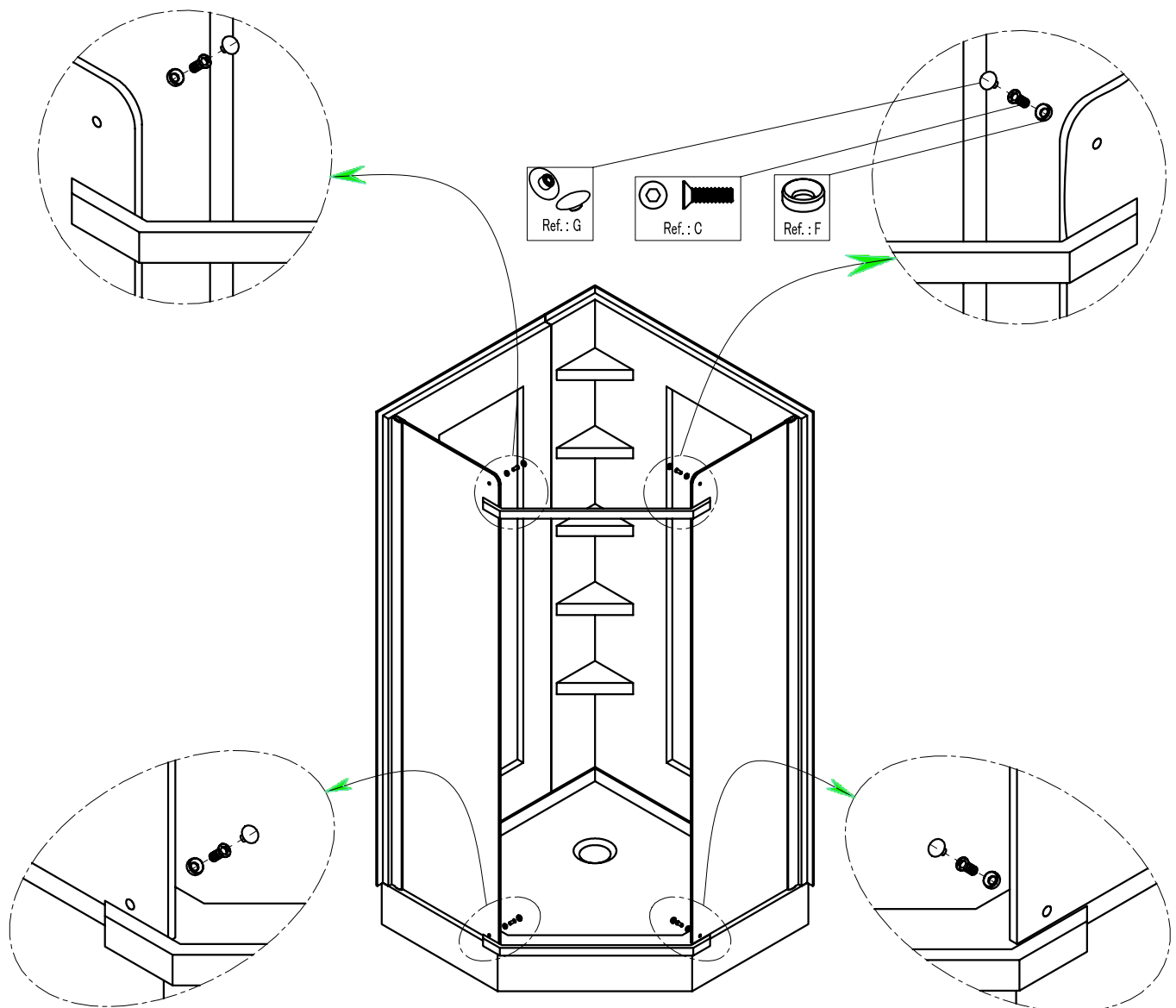
First decide whether you want the door to open on the right (hinges on the left side) or open on the left (hinges on the right side).

Please note: For information purposes, the shower illustrated throughout this manual has hinges on the left side.

Push screw through hole in cup-end of snap cap washer, then screw in.

Caps may require a light tapping.

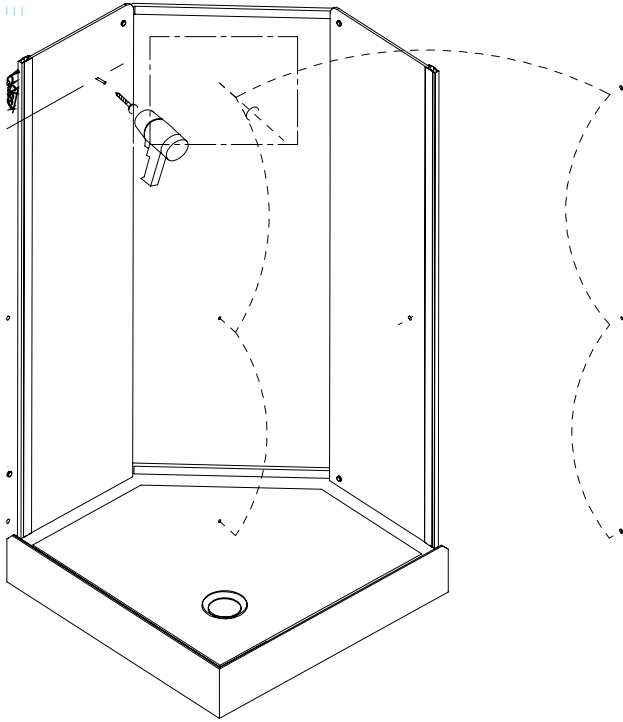
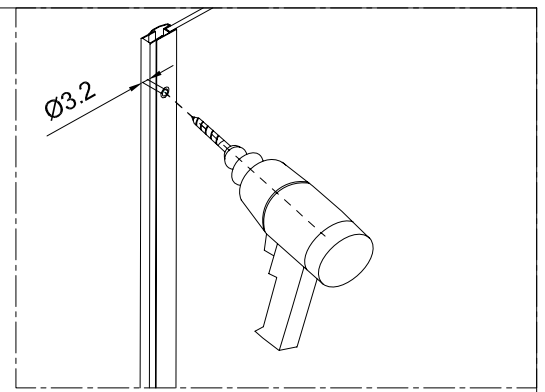
NOTE: Install snap caps once the shower installation is completed.



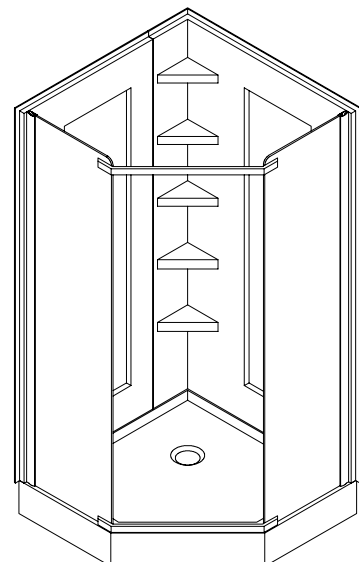
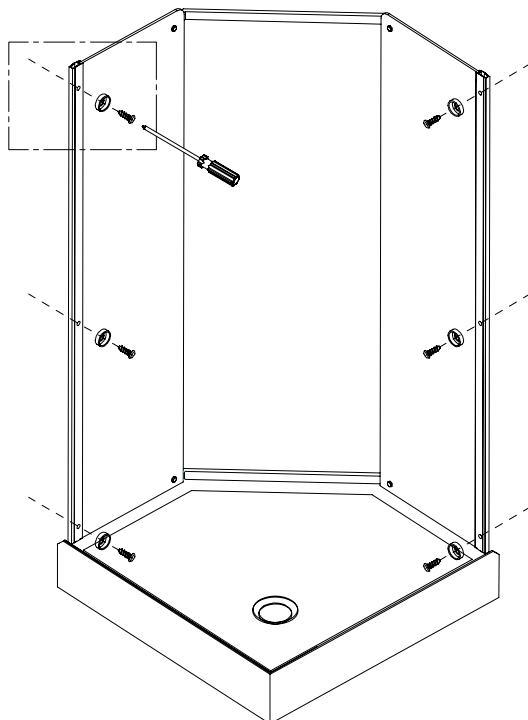
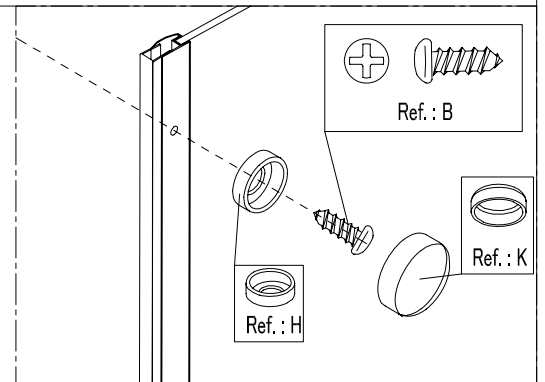
9. STATIONARY PANEL INSTALLATION

Make sure that the shower enclosure is sitting flat and even on the base.

With the 3.2 drill bit provided, drill holes through each of the six holes in the wall panels and into the wall channels.

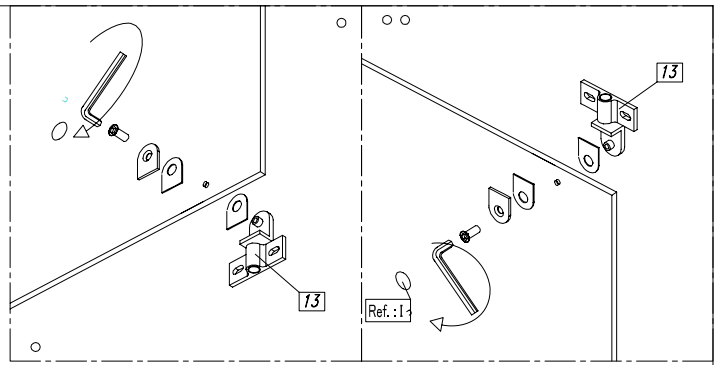
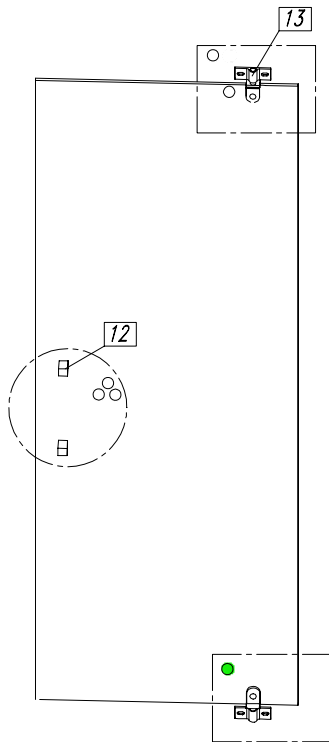


Secure the shower to the wall channel with ST3.3X13 self-drilling screws.



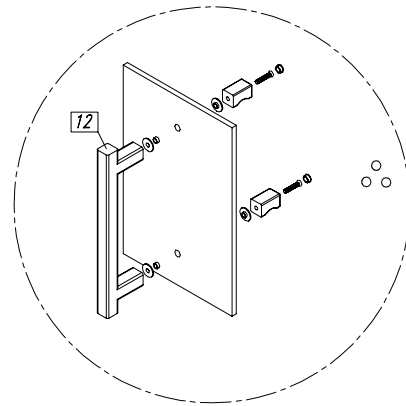
10. INSTALL DOOR HINGES

Please note: Use the allen key to install hinges on the glass door.

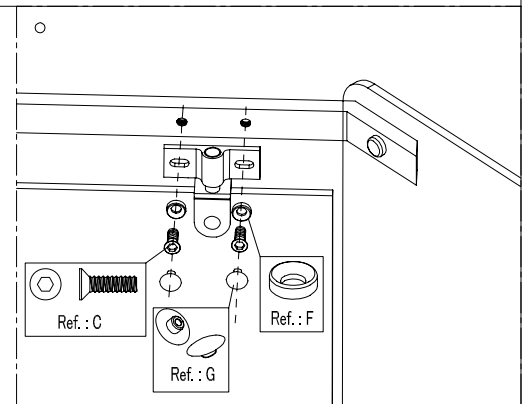
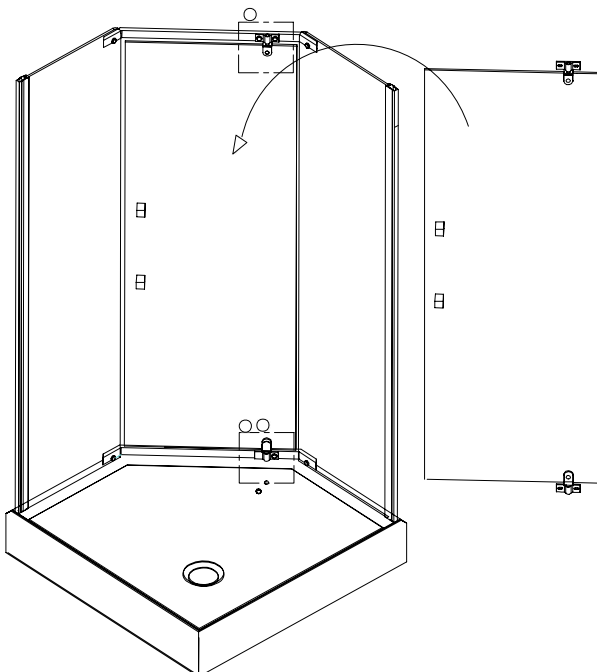


Install hinges as shown.

Install the door handle as shown.

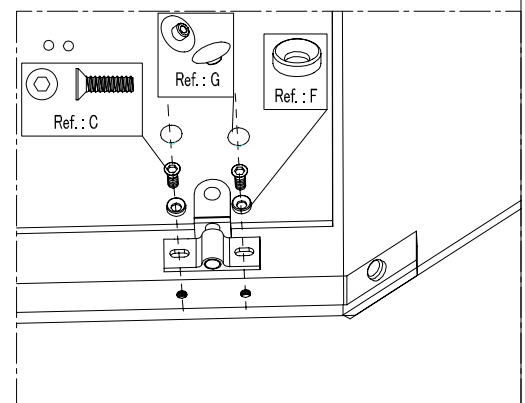


11. INSTALL GLASS DOOR



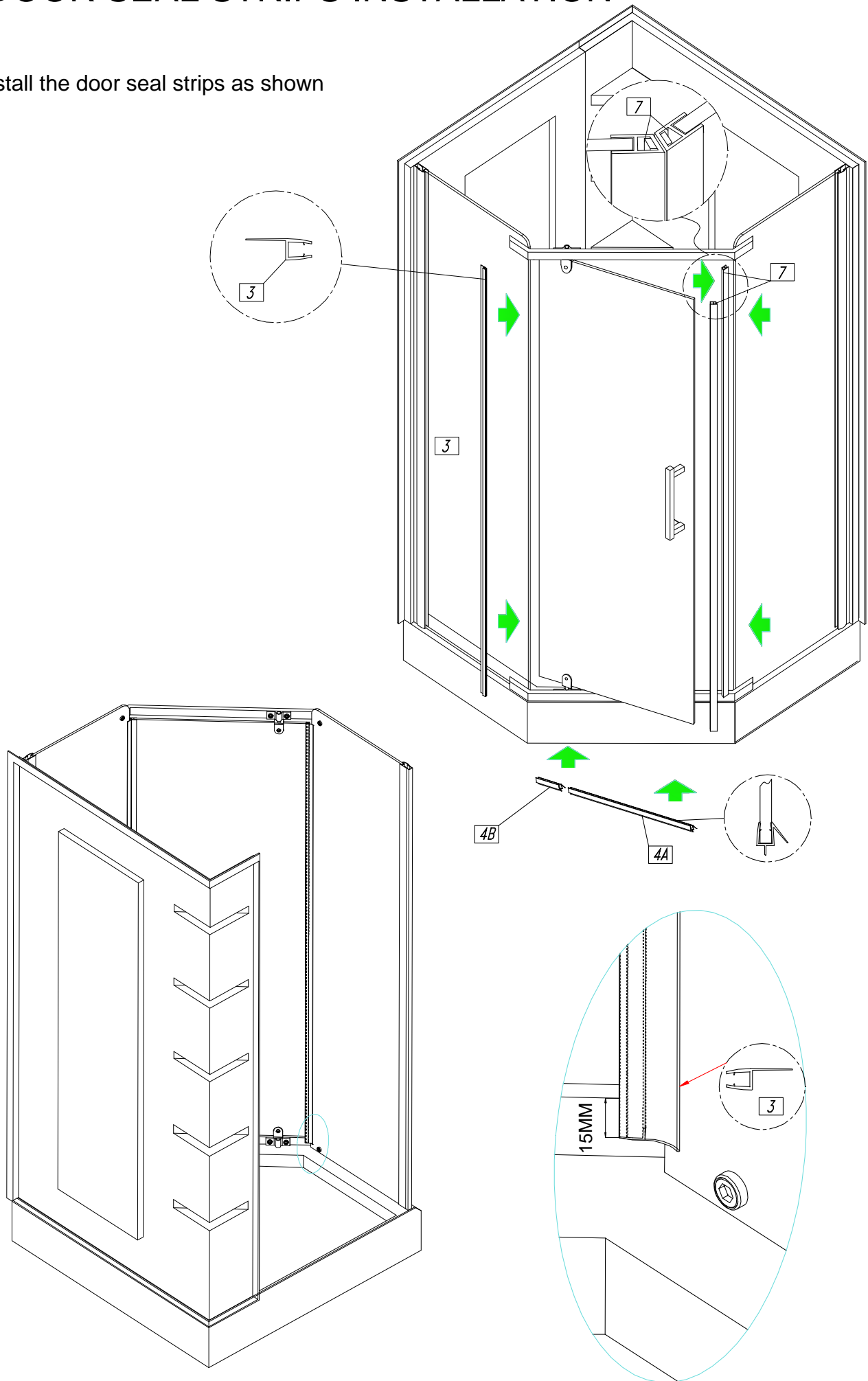
Install glass door as shown.

Please note: Keep a firm grip on the glass door during the installation, until door is secured on its hinges.



12.DOOR SEAL STRIPS INSTALLATION

Install the door seal strips as shown



13.CAULKING

WARNING!

Silicone sealer must be only applied on the outside of the shower to prevent leaks.

Allow silicone to dry 48 hours.

