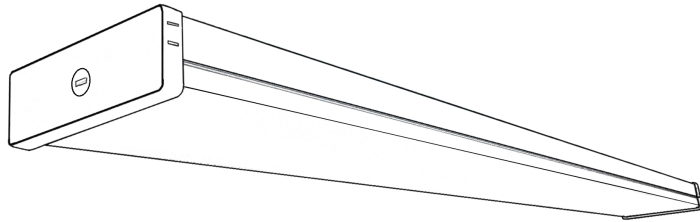


INSTRUCTION MANUAL

Wraparound



SAFETY INFORMATION

IMPORTANT: Read all safety precautions and installation instructions carefully before installing

- ◆ Do not handle any energized fixture or attempt to energize any fixture with wet hand or while standing on a wet or damp surface or in water.
- ◆ Assure that the fixture is mounted onto a sound structurally surface that will support the fixture.
- ◆ The fixture is designed for use in a 100-277VAC,60Hz fused circuit.
- ◆ Do not look inside the lights.
- ◆ Product can be used in garages,basements,work areas,utility rooms and recreation rooms.
- ◆ Do not install on radiant-heating type ceiling.

WARNING: Carefully read and understand this manual before beginning the assembly and installation. Failure to do so could lead to electric shock, fire, or other injuries which could be hazardous or even fatal.

WARNING: Risk of fire or electric shock. Installation requires a person familiar with the construction and operation of the light fixture's/luminaire's electrical system and the hazard involved. If not qualified, do not attempt installation. Contact a qualified electrician.

WARNING: Before beginning the installation, disconnect the power to the circuit by turning off the circuit breaker or removing the fuse.

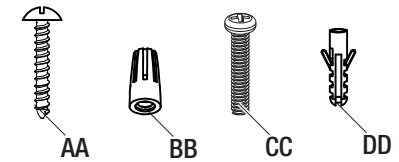
IMPORTANT: Changes or modifications not expressly approved by the party responsible for compliance could void the user's authority to operate the equipment.

WARNING:IF NOT FOLLOW THESE INSTRUCTION MAY LEAD TO A POTENTIALLY FATAL ELECTRICAL SHOCK OR PROPERTY DAMAGE

PRE-INSTALLATION

PACKAGE CONTENTS

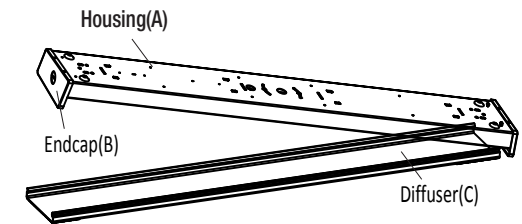
Part	Description	Quantity
AA	Self-tapping screws	4
BB	Wire nuts	3
CC	Junction box machine screws	2
DD	Drywall anchors	4



PRE-INSTALLATION(CONTINUED)

PARTS

Part	Description	Quantity
A	Housing	1
B	Endcap(Pre-install)	2
C	Diffuser	1

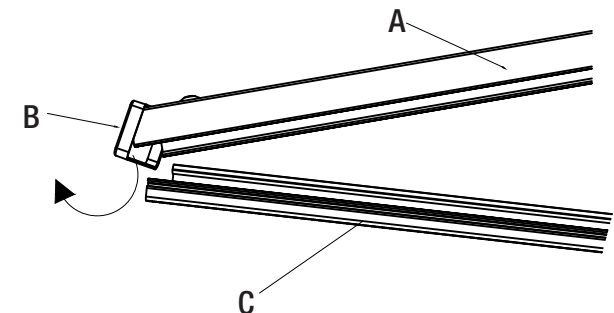


INSTALLATION

CAUTION:Before beginning installation turn off the circuit breaker and light switch

- Removing the Diffuser(C) from Fixture Housing(A)
 - Remove the Diffuser (C) from the Fixture Housing(A) by rotating Endcap (B) away from the Fixture Housing (A). (Do not over rotate, or the Endcap will be broken.)
 - Hold the Endcap outboard and gently squeeze the diffuser inward and remove the Diffuser (C) from the Fixture Housing(A).

Figure 1



INSTALLATION(CONTINUED)

CONNECTING THE WIRES

1. Install the two screws(CC) into the junction box(1).(Figure2)

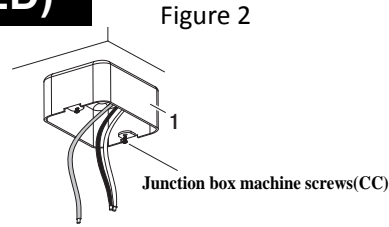


Figure 2

2. Connect the house ground wire in the junction box(1) to the Housing(Part A) ground wire using the wire nut (BB).

3. Connect the house white wire to the Housing(Part A) white wire using the wire nut (BB).

4. Connect the house black wire to the fixture(Part A) black wire using the wire nut (BB).

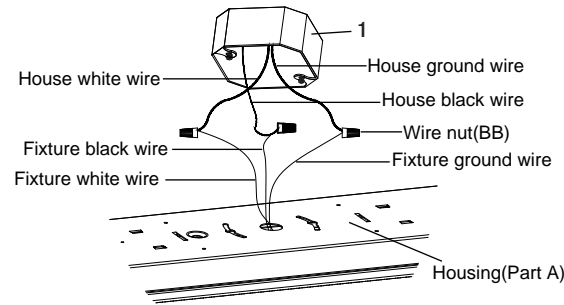


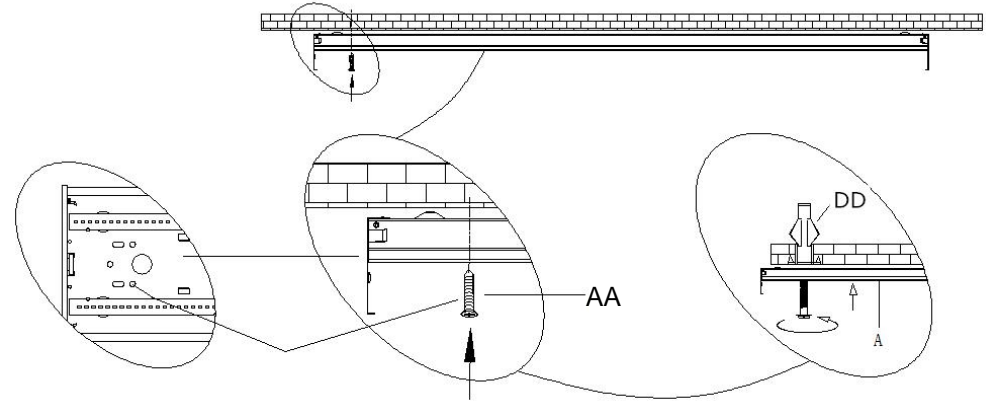
Figure 3

NOTE:For proper connection,place the wire nuts (BB) over wires and twist clockwise until tight (Figure 3).

OPTIONAL:Wrap connected wire nuts with electrical tape.

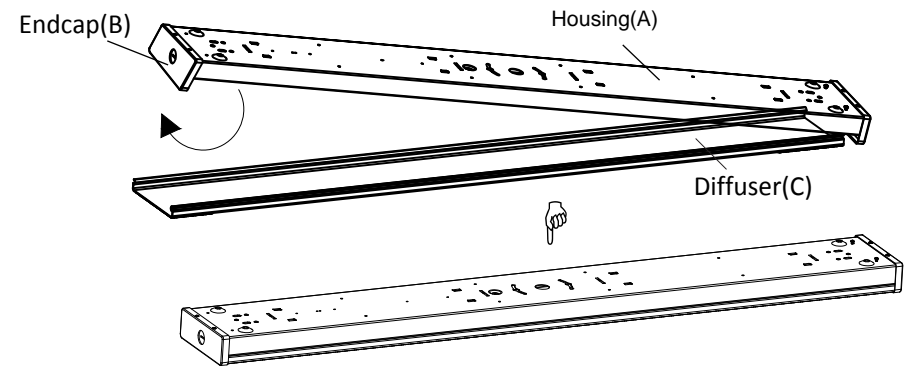
Option 2:Keyhole Installation

3. Put the Self tapping screws(AA) through the Housing(PartA), attaching into the Drywall anchor (DD) in the ceiling. Fasten all the four screws(AA) with screwdriver.



ATTACHING THE DIFFUSER

1. Carefully slide one end of the Diffuser(C) into the Endcap(B) on the fixture Housing(A).
2. While holding the Diffuser(C), rotate another Endcap (B) outward and ensure the full length of the Diffuser(C) is now flat against the Fixture Housing (A).
3. Carefully allow the Endcap (B) to rotate inward until it is resting against the Diffuser (C).



INSTALLATION(CONTINUED)

ATTACHING THE FIXTURE BASE (2 Options)

Option 1:Junction Box Installation

1. Attach the Housing(PartA) to the junction box(1) by aligning the holes on the Housing(PartA) with the screws on the junction box(1).

2. Turn Housing(PartA) clockwise to lock in place and tighten screws to ensure the fixture is secure and will not move .(Figure4)

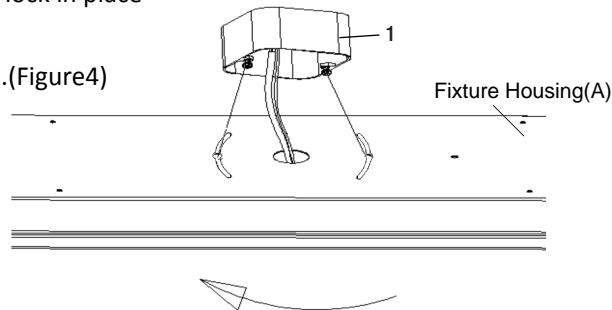


Figure 4