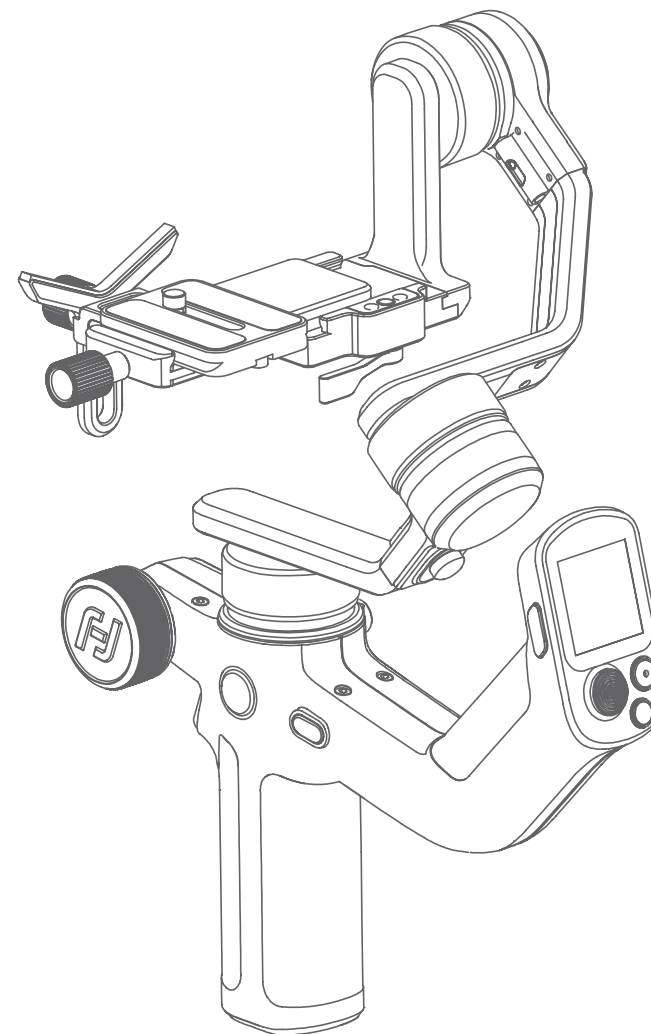




SCORP Mini

Quick Start Guide V.1.1

EN CN JP DE FR ES IT

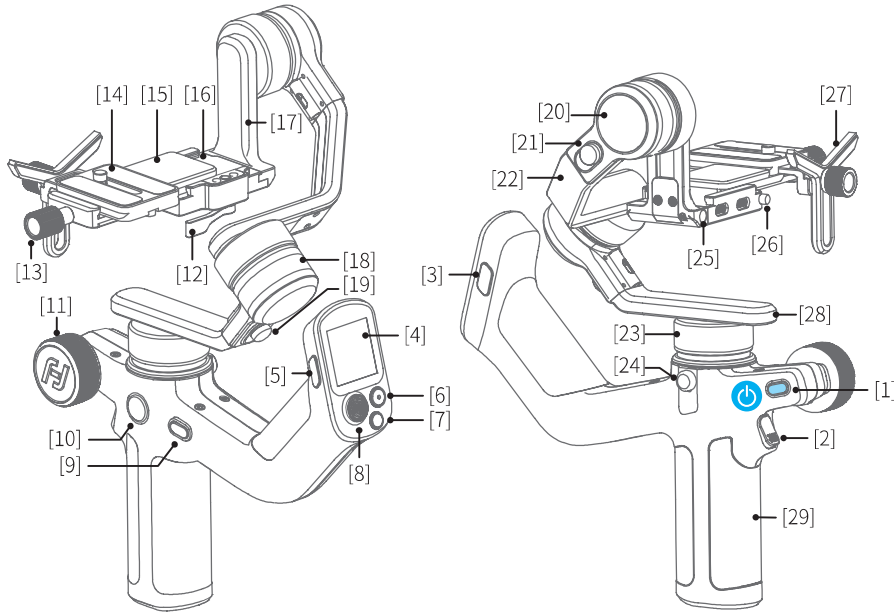


Tutorial Videos



1. Overview

* Not include camera.



- [1] Power button
- [2] Trigger button
- [3] F2 button
- [4] Touch screen
- [5] F1 button
- [6] Shutter button
- [7] Mode button
- [8] Joystick
- [9] FPV button
- [10] Knob function switching button
- [11] Multifunction knob
- [12] Slider lock
- [13] Quick release plate safety lock
- [14] Quick release plate
- [15] Fixed plate slider
- [16] Fixed plate
- [17] Slide arm
- [18] Roll axis
- [19] Roll lock
- [20] Tilt axis
- [21] Tilt lock
- [22] Cross arm
- [23] Pan axis
- [24] Pan lock
- [25] Mounting hole for focus motor support rod
- [26] Slider safety lock
- [27] Lens holder
- [28] Versatile arm
- [29] Handle

EN

User manual

Scan the QR code to get the latest user manual or download it from the official website.

<https://www.feiyu-tech.com/feiyu-scorp-mini/>



User manual

Download the App

When mounting mirrorless camera, pocket camera or action camera on gimbal for shooting, please download "**Feiyu SCORP**".

When mounting smartphone on gimbal for shooting, please download "**Feiyu ON**".

Scan the QR code to download the app, or search for "**Feiyu SCORP**", "**Feiyu ON**" in the App Store or Google Play.

* Feiyu SCORP: Requires iOS 10.0 or above, Android 6.0 or above.

Feiyu ON: Requires iOS 9.0 or above, Android 6.0 or above.

iOS



Feiyu SCORP



Feiyu ON

Android



Feiyu SCORP

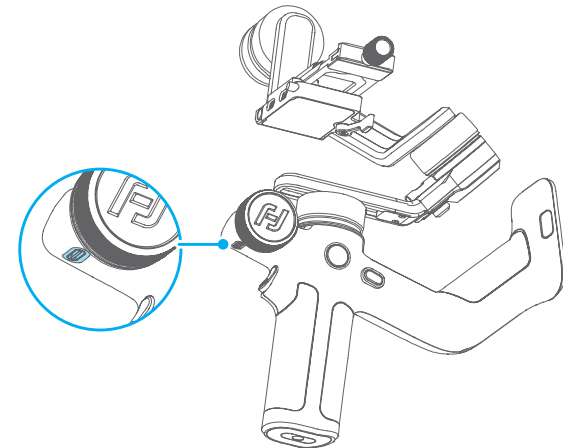


Feiyu ON

2. Getting started

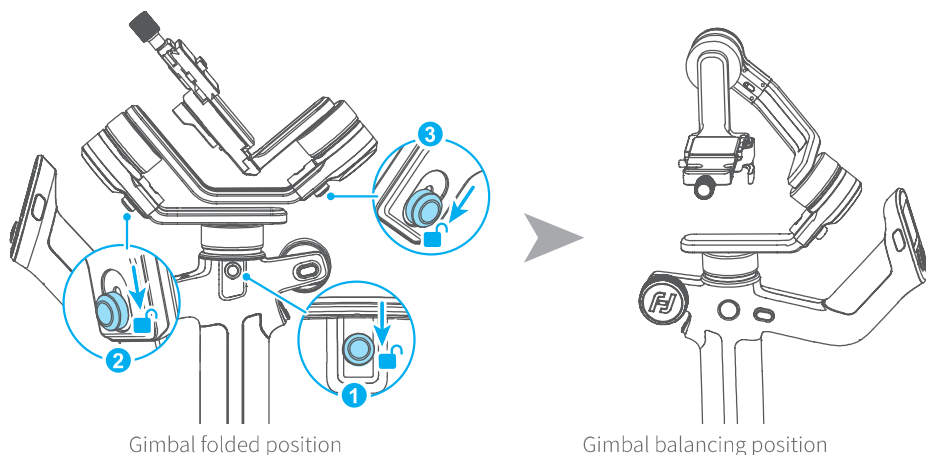
2.1 Charging

Please fully charge the battery before power on the gimbal for the first time. Charging with USB 2.0 to Type-C cable, supports quick charge.



2.2 Adjust the gimbal to gimbal balancing position

The gimbal is folded by default, please unlock all the three axes and adjust the gimbal to gimbal balancing position, and then lock the three axes.



3. Mounting the Camera/Smartphone

Take camera mounting as an example.

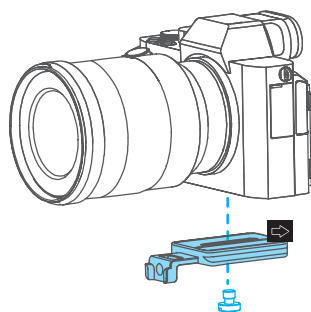
Before mounting the camera, make sure the camera is ready for shooting (Install the camera lens, and the lens cover should be removed, the memory card and battery needs to be inserted to the camera, and battery is fully charged), complete all the steps which mentioned in chapter "2. Getting started" and the gimbal is adjusted to **gimbal balancing position**. Make sure the gimbal is powered off or in sleep mode before mounting the camera.

3.1 Attach the quick release plate

Attach the quick release plate to camera by tightening the screw.

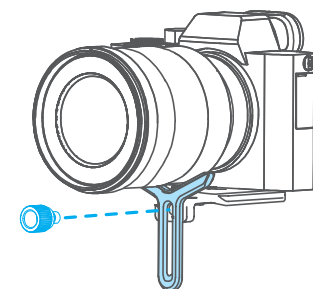
If the camera doesn't have the 1/4-20 inch screw hole, please put the camera on mount adapter, which has 1/4-20 inch screw hole, and then mount it in above steps.

Users can mount smartphone into the optional smartphone holder, and follow the steps above to install it on the gimbal.



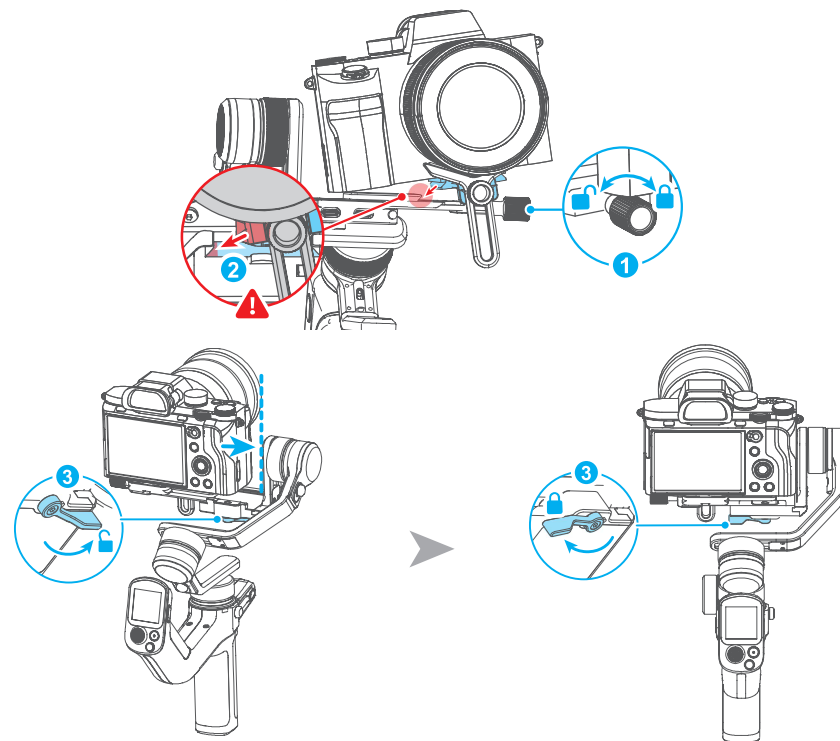
3.2 Install lens holder (Optional)

Install the lens holder on the quick release plate if needed, the rubber of the lens holder must be directly under the lens. It is recommended to use the lens holder when using a long or heavy lens.



3.3 Mount camera on gimbal

Unlock the quick release plate safety lock ①, install the plate with the mounted camera into the slot ② in direction of icon, lock the safety lock ① once the camera is roughly balanced. It is recommended to push the camera against the tilt axis. Unlock the slider lock ③ to move the camera left or right according to camera's width, then lock the slider lock ③.



4. Gimbal Balancing

Please balance the gimbal before shooting. Take camera mounting as an example. Make sure the camera and lens are ready for shooting, and the gimbal is powered off or in sleep mode before balancing. **It is recommended to hold up the camera first, then move the slide arm, cross arm and vertical arm.**

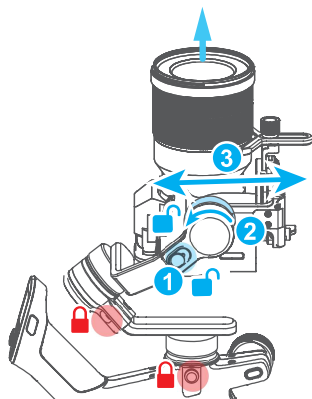


Tutorial Videos

4.1 Balancing the tilt axis

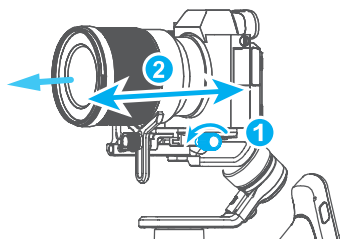
4.1.1 Balancing the vertical tilt

- Unlock the tilt lock ①, and loosen the slide arm lock knob ②.
- Rotate the tilt axis so that the camera lens is pointing upward. Check the direction which the lens tilts to.
- If the lens tilts to one side, then the camera is that side heavy, move the slide arm ③ to the opposite direction, until the camera is steady pointing upward.
- Tighten the slide arm lock knob ② while holding the camera.



4.1.2 Adjust depth for the tilt axis

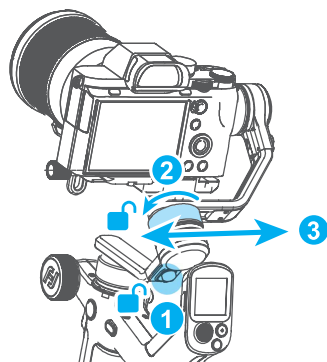
- Rotate the tilt axis so that the camera lens is pointing forward. Check the direction which the lens tilts to.
- If the lens tilts to one side, then the camera is that side heavy, unlock the quick release plate safety lock ① and then move the quick release plate to the opposite direction, until the camera is steady pointing forward.
- Lock the quick release plate safety lock ① while holding the camera.



The tilt axis is balanced when the camera is steady while tilted up or down by 45°.

4.2 Balancing the roll axis

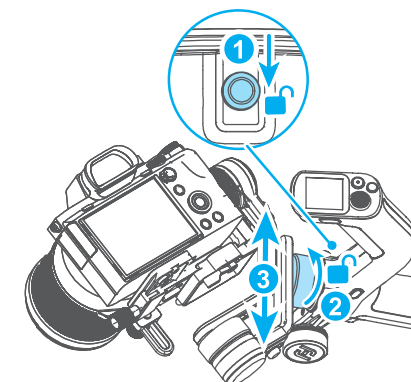
- Unlock the roll lock ①, check the direction which the camera tilts to.
- If the camera tilts to one side, then the camera is that side heavy, loosen the cross arm lock knob ② and then move the cross arm to the opposite direction, until the camera can stay still and horizontal to the ground.
- Tighten the cross arm lock knob ②.



The roll axis is balanced when the camera can stay still and horizontal to the ground.

4.3 Balancing the pan axis

- Unlock the pan lock ①. Hold the tripod, and tilt the gimbal forward until it is horizontal to the ground.
- If the camera tilts to one side, then the camera is that side heavy, loosen the vertical arm lock knob ② and then move the vertical arm ③ to the opposite direction, until the camera can stay still and horizontal to the ground.
- Tighten the vertical arm lock knob ②.



The pan axis is balanced when the camera can stay still and horizontal to the ground.

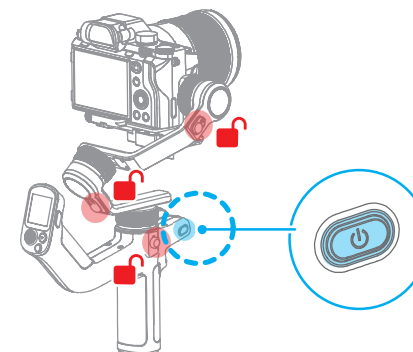
5. Operation

5.1 Power ON/ OFF

Before power on the gimbal, make sure you have balanced gimbal, and unlocked all the three axes. If you haven't unlocked all the 3 axes, gimbal will enter sleep mode to protect itself. Please single tap power button to wake up gimbal after unlocked all the 3 axes.

! Please set motor power first after powering on gimbal for the first time or after changing a new camera/lens.

Long press the power button and release it when you hear the beep sound to power on/ off.



5.2 Button operation



Power button

Long press: Power on/off
Single tap: Wake up
Double tap: Enter sleep mode



Trigger button

Double tap: Recenter
Triple tap: Enter/Exit selfie mode
 (Pan axis turn 180°)
Press and hold: PTF (Release to exit)

You can custom the function via APP



Shutter button*

Press half way: Focus
Single tap (Fully): Start/stop recording
Long press (Fully): Take photo



F1 button

Double tap: Enter/Exit portrait mode



Multifunction knob

Turn:
 (1) Control the movement of the roll, tilt and pan axes.
 (2) Control focus.
 (3) Control focus motor.
 (4) Adjust the parameter in the touch screen.

Set current control option as option (1) or (2) or (3) through long press the knob function switching button or swipe up in home page.



Mode button

Single tap: Pan follow/Lock mode (Switch in turn)
Double tap: PTF
Triple tap: FPV



Joystick

Push: Control the movement of the tilt and pan axes.



FPV button

Single tap: Enter/Exit FPV mode



F2 button

Single tap:
 (1) Lock/Unlock screen (In home page)
 (2) Return to home page (In other pages)

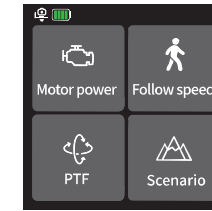


Knob function switching button

Single tap: Switch the control object while controlling the movement of the 3 axes (Tilt/Pan/Roll)
Long press: Switch the control options of Multifunction knob in turn (The movement of the 3 axes/Electronic focus/Focus motor)

*Need to connect with camera. Refer to the camera compatibility list on <https://www.feiyu-tech.com/feiyu-scorp-mini/>
 More button function introductions please refer to the user manual.

5.3 Touch screen operation



Home page



Motor power

Use auto tune to adjust the motor power automatically, or adjust motor power for each axis manually.



Follow speed

User can select different gimbal follow speed profiles, or custom follow speed.



Follow mode

Select gimbal follow mode



PF: Pan follow, only the pan axis follows the movement of user's hand.



PTF: Pan and tilt follow, where both the pan and tilt axes follow the movement of user's hand, but roll axis does not.



FPV: Pan, tilt and roll follow, where all 3 axes follow the movement of user's hand.



Lock: All 3 axes do not follow the movement of user's hand, gimbal keeps the direction of the camera fixed.

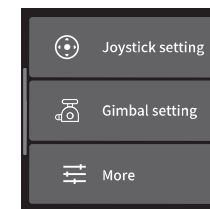


FFW: Flash follow, where all 3 axes follow the movement of user's hand in high follow speed.



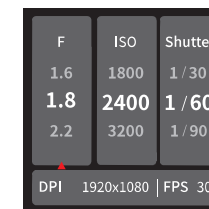
Scenario

Select usage scenario.



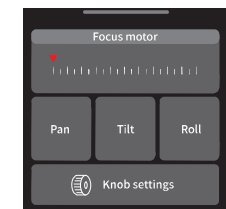
Swipe from right to left

Joystick, gimbal and more settings



Swipe from left to right

Shooting parameters settings



Swipe up

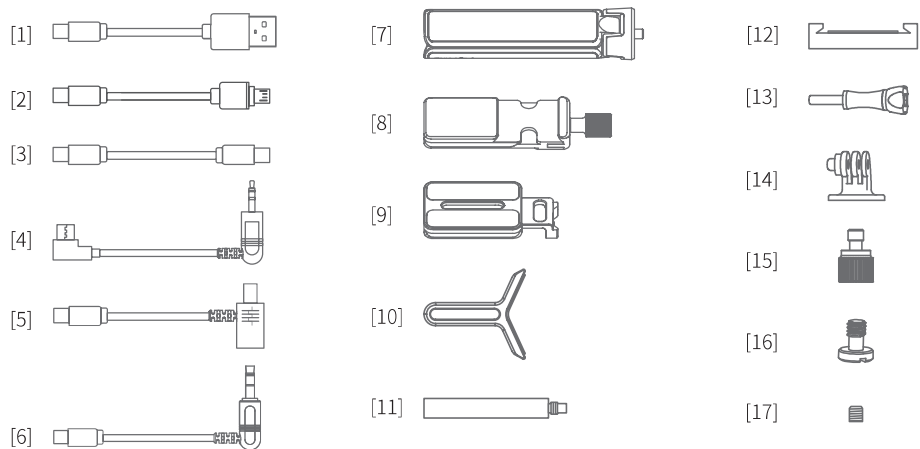
Multifunction knob settings

- **Return to previous menu:** Swipe to right

6. Specifications

Product name	Feiyu SCORP-Mini 3-Axis Camera Handheld Stabilizer
Product model	Feiyu-F1
Max. Tilt Range	+170° ~ -45°
Max. Roll Range	+40° ~ -40°
Max. Pan Range	360°
Weight	About 787g
Payload Capability	About 1200g (Well-balanced)
Battery life	13 Hours
Battery	2500mAh
Operating Voltage	6.8V-8.4V
Compatible	Mirrorless camera and pocket camera (Sony, Canon, Nikon, Panasonic, etc. Please download the detailed manual for the specific compatible camera and lens), action camera like GoPro, and smartphone (Width: 52mm~82mm, thickness: < 8.9mm)

Accessories



- [1] USB 2.0 to Type-C
- [2] Type-C to Micro(A03)
- [3] Type-C to Type-C (C02)
- [4] Type-C to TRS2.5 (T02)
- [5] Type-C to Multi Sony shutter cable
- [6] Type-C to 2.5mm Panasonic shutter cable (DC2.5mm)
- [7] Tripod
- [8] Fixed plate slider
- [9] Quick release plate
- [10] Lens holder
- [11] Focus motor support rod
- [12] Smartphone holder
- [13] Long thumb screw
- [14] GoPro adapter
- [15] Lens holder screw
- [16] Camera fixed screw
- [17] Fixed screw for support rod