

USER MANUAL

RG-1

GENESIS *MARK 2*



Enhanced load capacity

/

Higher manufacturing accuracy

/

Pitch angle scale added

ROGETI®

Thank you for choosing ROGETI.

It is important to read the full instructions before use in order to take full advantage of the system and prevent accidental damage.

- Do not disassemble, drill, drop or burn the product or its accessories.
- Do not exceed the rated load.
- Always engage safety locks and devices where applicable on the product.
- Do not use product at temperatures less than -30°C or greater than +70°C.
- Do not leave the product in the sun for long periods and avoid high temperatures (e.g. in a car).
- Thoroughly dry off the product after use in wet conditions.
- Remove sand from all locking threads and sliding segments after use in sandy conditions.
- Avoid direct contact with seawater.
- Do not use in places where there is a risk of falling, to prevent injury.
- It is recommended that the equipment (camera) be removed from the support before transportation, to prevent risk of separation and unnecessary stress on components.
- Use air blower or lint-free soft cloth to keep mechanical parts clean
- The product does not require regular lubrication, but if required, use standard lubricant oils or grease.
- Oil or grease may overflow from the exposed gears, rack rails or other parts, especially if it is placed upside-down for long time. If so, just wipe it off. There is no need to add grease to compensate.
- If the product should require repair, it should be returned to an authorized ROGETI service agent.

Package Contents:

- Geared Head (RG1-806)
- Orthogonal Clamp (CAP-X2Y)
- Quick Release Square Plate (QRS-R14) and 1/4" screw
- Printed Matter

LIMITED WARRANTY

ROGETI products are warranted to be fit for the purpose for which they have been designed. The period of validity of the Standard Limited Warranty is defined by the law in force in the country, state or region where the product is sold. Please retain your receipt as proof of purchase to repair your product under warranty. This warranty does not apply to products damaged by misuse, accident, or normal wear and tear. ROGETI's sole obligation under this warranty will be, at its option, to repair or replace the product. To the extent not prohibited by law, in no event will ROGETI be liable for any loss of revenue or profit, or for any special, consequential, incidental or punitive damages, however caused, arising out of or related to the use of or inability to use the product, even if ROGETI has been advised of the possibility of such damages. In no event will ROGETI's liability exceed the amount paid by you for the product.

Specifications:

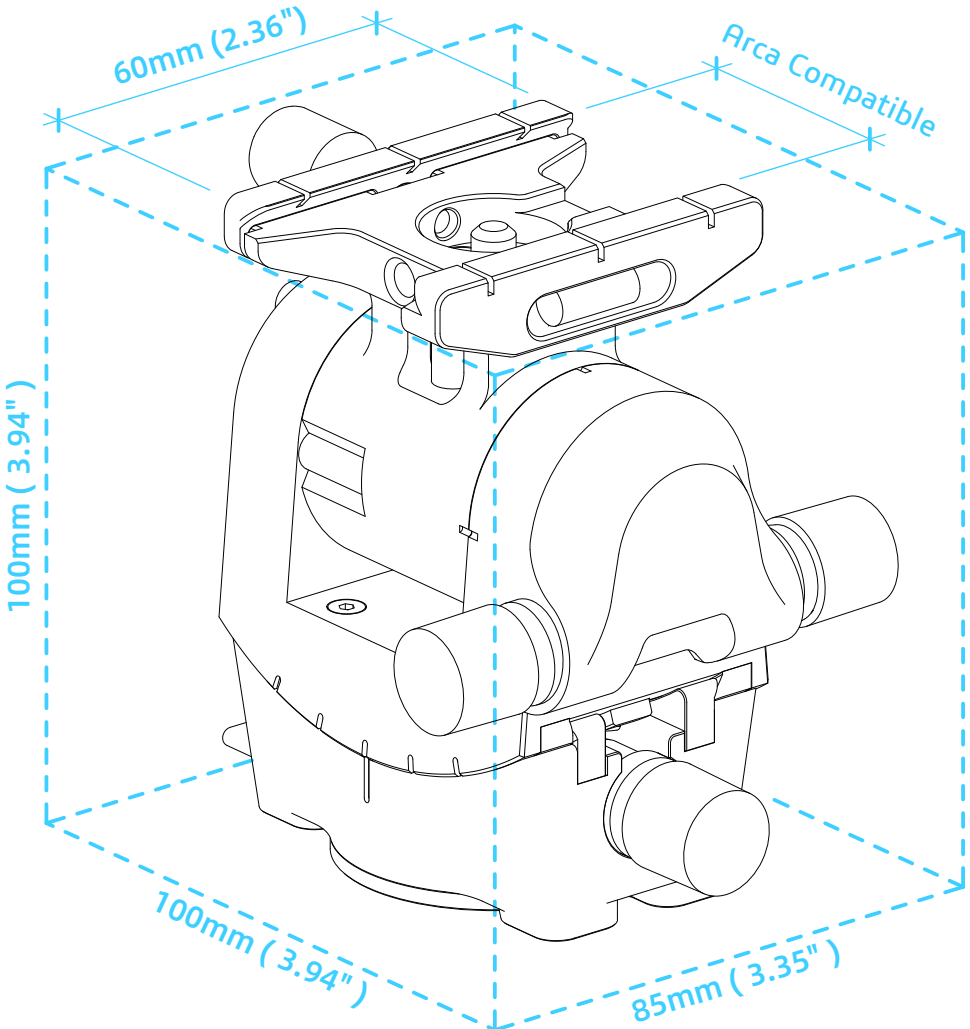
Pitch: 210° ($\pm 105^{\circ}$ Up or Down)

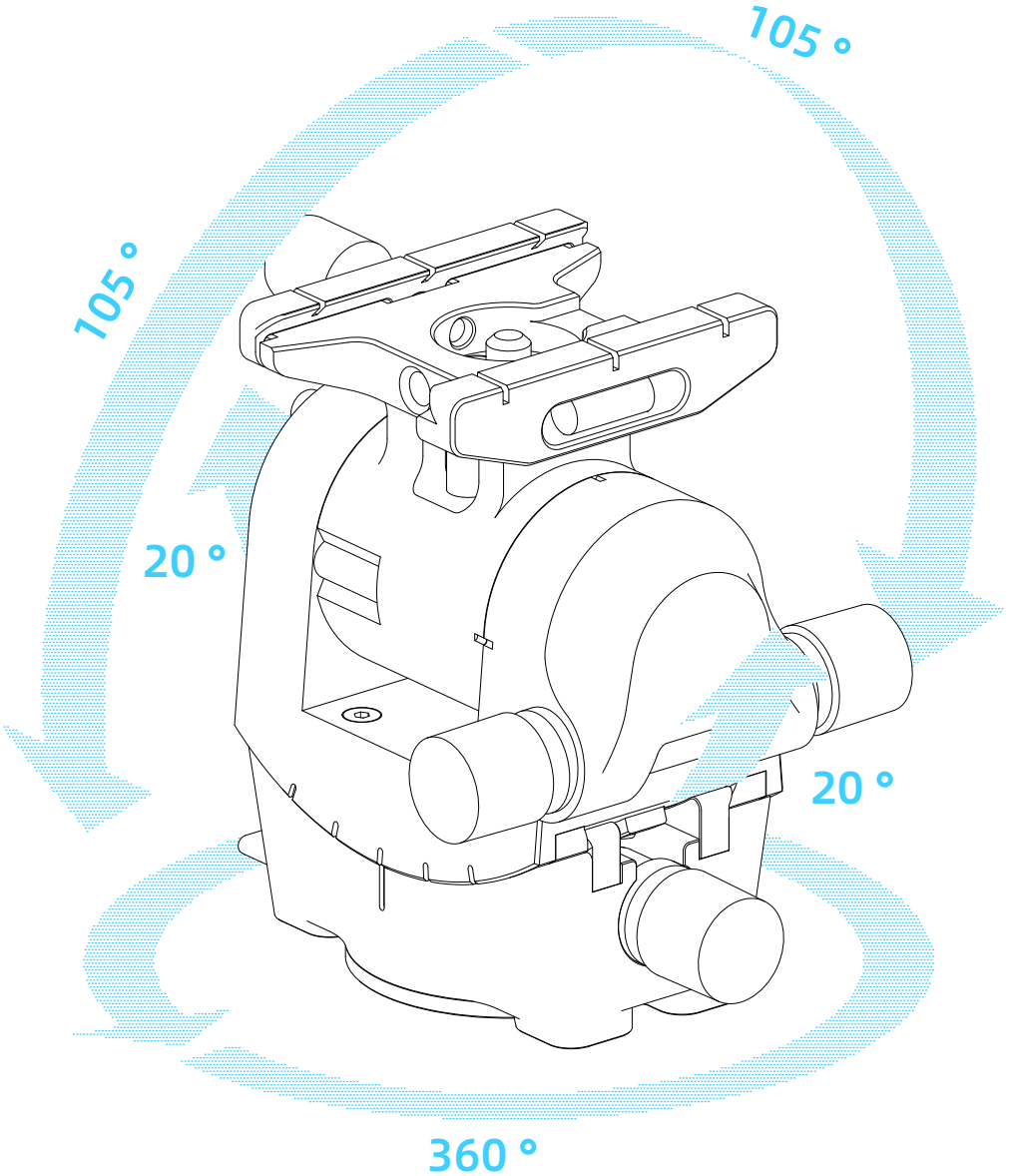
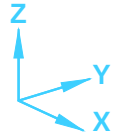
Roll: 40° ($\pm 20^{\circ}$ Left or Right)

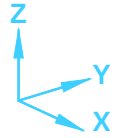
Yaw: 360°

*Note: Pitch and Roll axes may be swapped by simply rotating the camera 90° on the RG-1 Geared Head, via the Rogeti CAP-X2Y; CAP-360; or CAP-GZA accessory "CAP Modules," or via the Rogeti QRS-R14 Square Plate.

*Note: throughout this User Manual, on our website, and in other Rogeti printed material, we use the phrase "CAP module" to describe any dovetail-style PLATE device with an integrated dovetail-style CLAMP, such as our Rogeti CAP X2Y, our CAP-360, CAP-MLS or our CAP-GZA"







1/4" Screw

Device Lock K1

1/4" Screw Hole

Level Vial - Z *

Level Vial - X

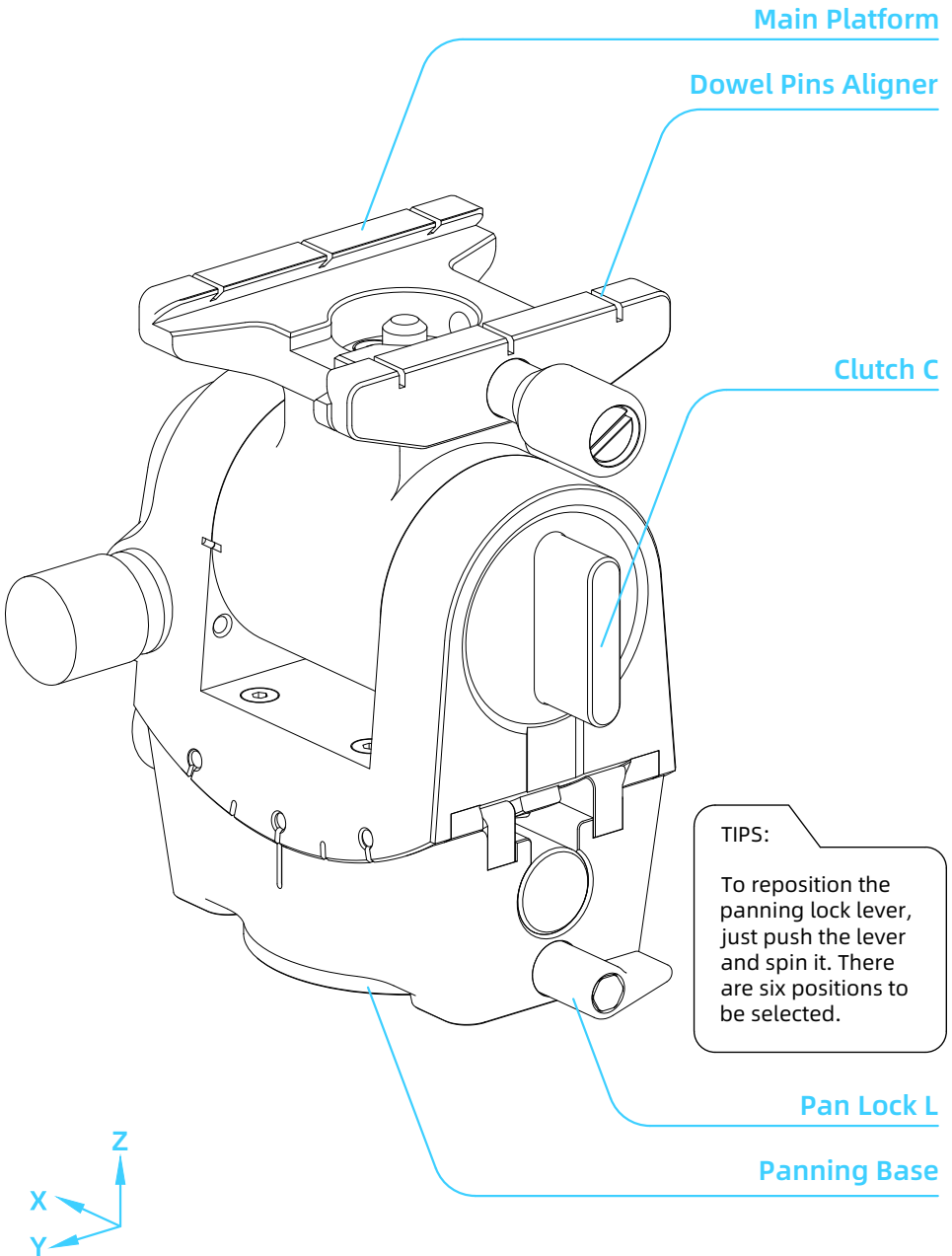
Level Vial - Y

Geared Pitching Knob G2a

Geared Rolling Knob G1

Geared Pitching Knob G2b

* Level Vial - Z is for leveling when shooting directly upwards or directly downwards; or, when shooting in portrait (vertical) frame without using camera L-bracket.



Install RG-1 to the tripod

1. Tighten the Pan Lock L;
2. Screw the RG-1 onto any tripod fitted with a standard 3/8-16 screw.

Install camera with R14 square plate to the RG-1

The ROGETI R14 quick release Square Plate has bilateral dovetail rails, therefore, any camera with the R14 quick release Square Plate attached can also be mounted directly on the RG-1 Main Platform as follows:

1. Loosen the device lock K1 on the Main Platform;
2. Place the camera with attached R14 Square Plate between the jaws of the RG-1 main platform (it is recommended to keep the camera rear screen on the same side as the X/Z-axis level vial) and make sure the Dowel Pins on the R14's dovetail rails slide into the Dowel Pin Aligners on the Main Platform;
3. Tighten device lock K1 on the main platform and ensure that the camera is securely locked.

Install camera with L-bracket to the RG-1

For cameras fitted with an L-bracket, extreme roll angles (e.g. $\pm 90^\circ$ portrait or vertical format photographs) are not hindered by tripod head tilt or roll limitations (L-brackets are specifically designed for this reason). Regardless, Rogeti CAP-X2Y (or other orthogonal clamps) offer maximum versatility when using any plate or bracket system with any tripod head.

Install telephoto lens with tripod ring ("lens foot") to the RG-1

Most lenses with tripod rings (typically telephoto lenses) come with or are equipped with a dovetail rail ("lens foot") along the axial direction of the lens. This type of lens can be mounted directly onto the Main Platform of the RG-1.

1. Ensure that the Main Platform is in an upright or nearly upright position and Clutch C is in a locked state;
2. Loosen the device lock K1 on the Main Platform;
3. Place the dovetail lens foot or lens plate between the jaws of the RG-1 Main Platform;
4. Tighten the device lock K1 on the Main Platform and ensure that the lens is securely locked.

Install the CAP module to the RG-1

Any holder with Arca compatible clamp can be used as the CAP of the RG-1. However, for safety reasons, it is highly recommended to choose the ROGETI series CAP module with Dowel Pins. Here we are using the CAP-X2Y orthogonal clamp as an example.

1. Ensure that the Main Platform is in an upright or nearly upright position, and ensure that the pitch clutch C is in a locked state;
2. Loosen device lock K1 on the Main Platform;
3. According to the use requirements, place the CAP-X2Y on the Main Platform at an angle of 90° or 0° , and ensure that the Dowel Pin on the dovetail slides into the Dowel Pin Aligner on both sides of the Main Platform;
4. Tighten device lock K1 on the Main Platform and ensure that the CAP module is securely locked.

Install the device (camera) on the CAP

1. Loosen the device lock on the CAP module;
2. Place the camera with the Arca-type quick release plate in the clamp. If the quick release plate has Dowel Pin, please make sure that the Dowel Pin slides into the Dowel Pin Aligner on the CAP module;
3. Tighten the device lock on the CAP module to confirm that the camera is securely locked.

Leveling

1. Loosen the Pan Lock L on the base of the RG-1;
2. Pan the camera toward the shooting target and tighten the Pan Lock L;
3. Use the geared rolling knob G1 to complete the left and right (roll) leveling;
4. Use the geared pitching knob G2a or G2b to complete the up and down (pitch) leveling.

Quickly change pitch angle over a wide range

1. Hold the camera installed on RG-1 with your right hand to ensure its safety. Rotate clutch C counterclockwise to loosen it (at this moment, the pitch unit is separated from the worm-gear mechanism);
2. Hold the camera and tilt it to the desired approximate position, then lock clutch C by rotating it in a clockwise direction;
3. Use the geared pitching knob G2a or G2b to complete the precise pitch angle adjustment.

If the equipment is heavy or under extreme cold weather, the geared knob may require more force to drive. In such cases, you may find it helpful to hold the camera and perform fine tuning, or turn knobs G2a and G2b simultaneously.

Choosing an orientation to mount the camera on the RG-1

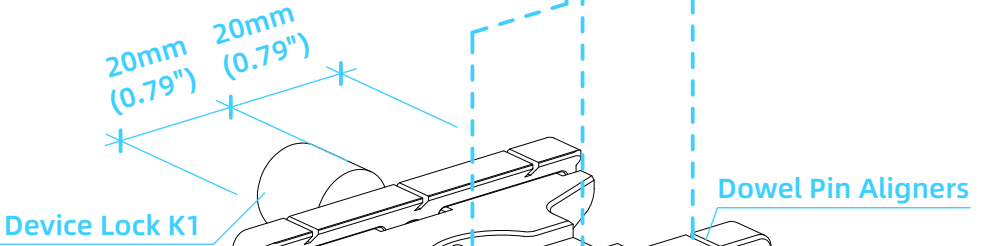
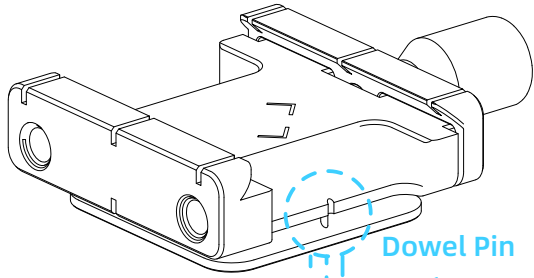
The RG-1 with the CAP-X2Y gives you four installation orientation options. Which one is the best choice?

As a basic rule, we recommend that you keep the camera rear screen on the same side as the X/Z-axis level vial when mounting the camera. This will allow you to make a large pitch adjustment, and in this way, it's easy to observe the level vials.

If such direction causes interfere between RG-1 and your devices, you can choose the appropriate installation method based on the actual situation. Once again, ROGETI accessories like the CAP-X2Y; CAP-360; CAP-GZA; and/or QRS-R14 allow maximum versatility for any camera orientation.

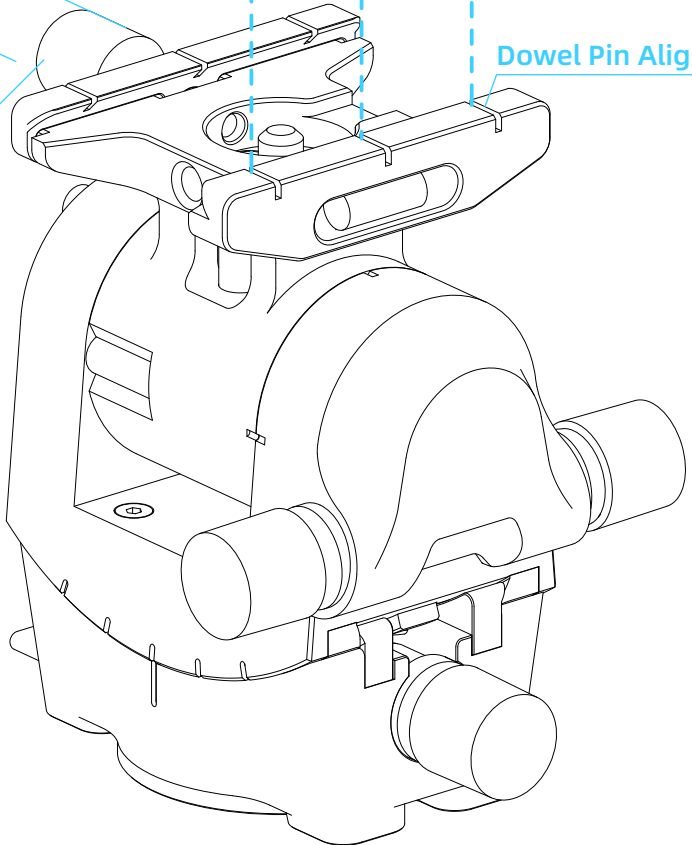
Align the Dowel Pin of the CAP-X2Y to one of the 3 aligners of the Main Platform.

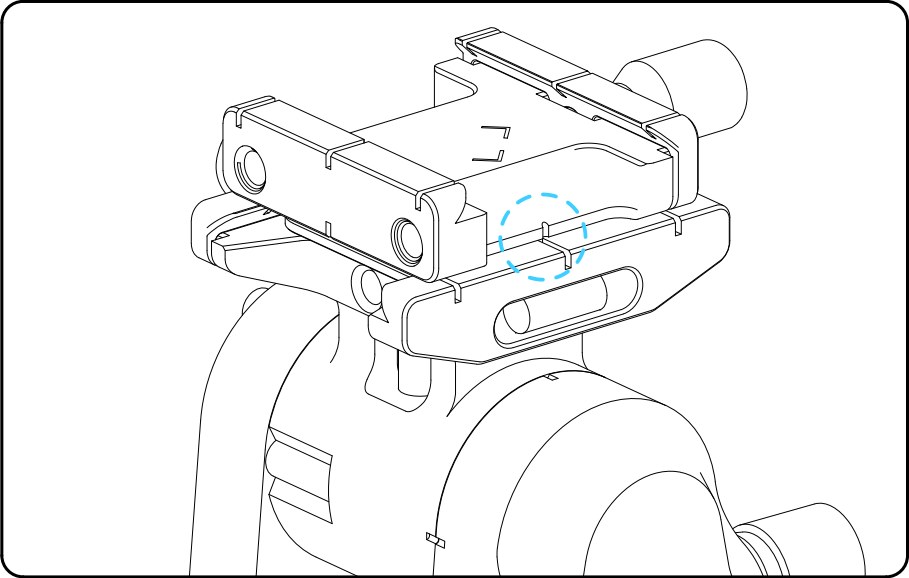
Tighten the Device Lock K1.



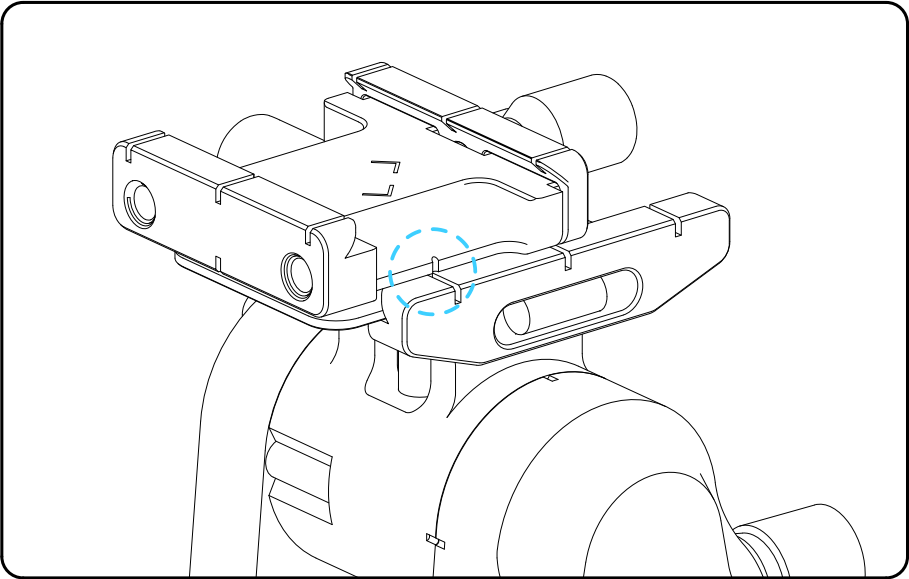
WARNING:
The dowel pin not only aligns the CAP module's center to the RG-1's center, but also prevents cameras from dropping.

Please note that leaving it out of the aligner when locking the device could increase the risk of dropping.





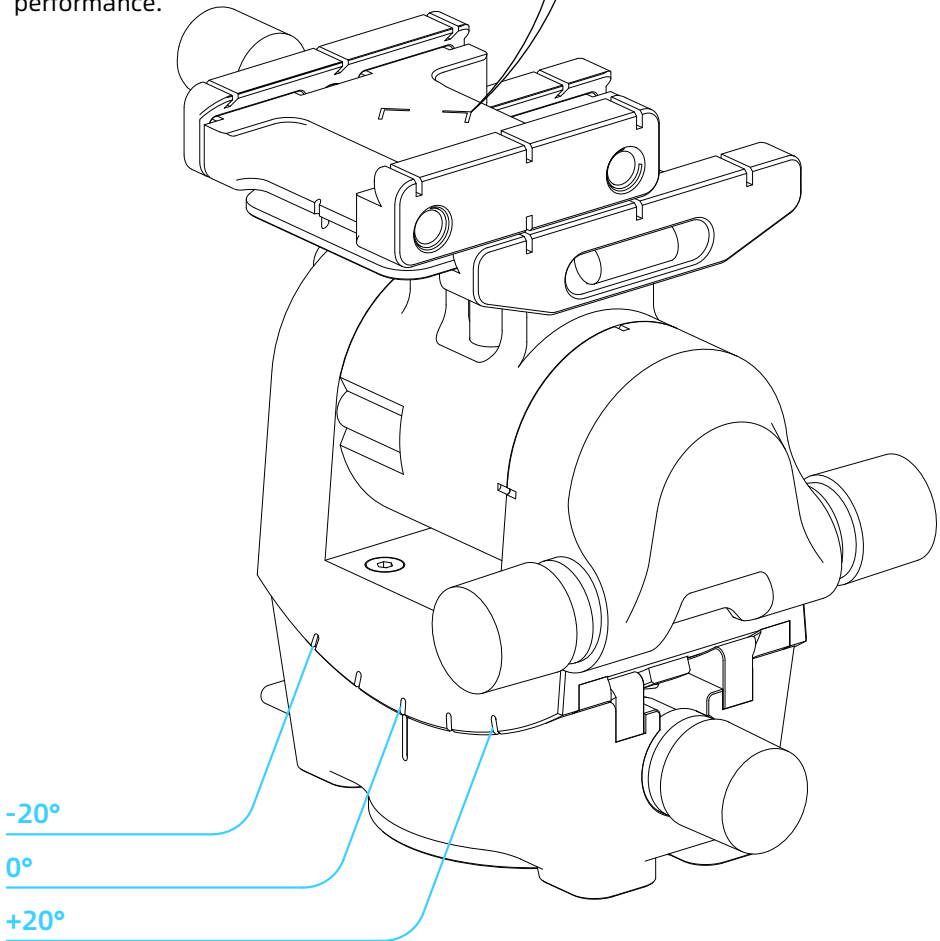
Aligners are designed to cope with interference between the RG-1 and various other devices.



Move the CAP module as needed between any of three positions to resolve interference with cameras, lenses, or other accessories.

In some situations, you may wish to raise the camera slightly above the RG-1 Main Platform, while still preserving the original orientation of the RG-1 clamp. In these cases, adding a ROGETI CAP module like the CAP-X2Y; CAP-360; or CAP-GZA can fulfill this role perfectly. These CAP modules even include directional camera/lens mounting indices for optimal ergonomics and performance.

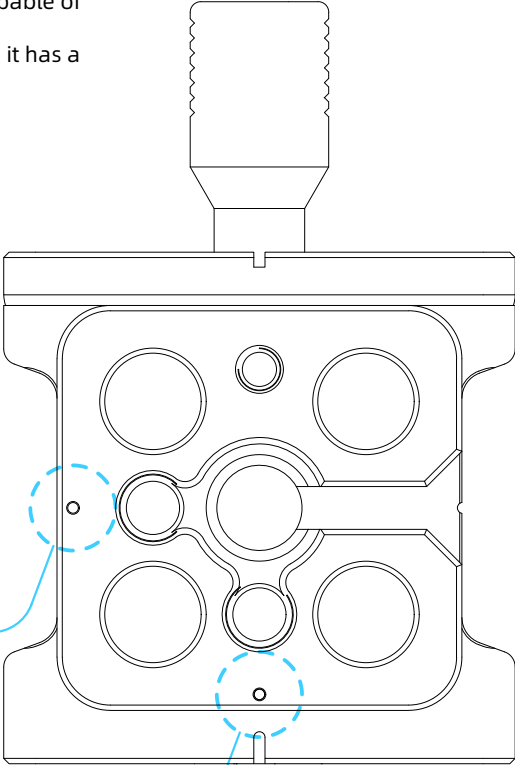
Directional Indices show recommended camera orientation ("point this way").



CAP-X2Y is an orthogonal device (capable of being mounted in any perpendicular orientation: 90°-180°-270°-360°) and it has a unique 3-Dowel Pin configuration.



Note: ROGETI CAP modules and dovetail accessories with Dowel Pins are NOT backwards compatible with conventional (non-ROGETI) clamps which have no Dowel Pin aligner(s)!

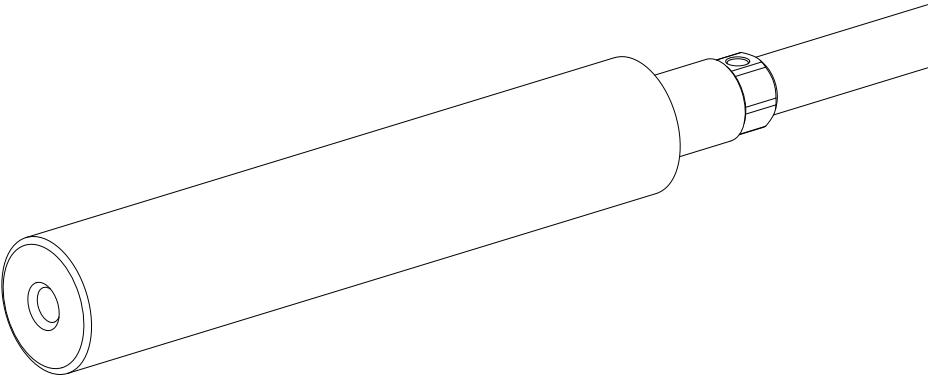


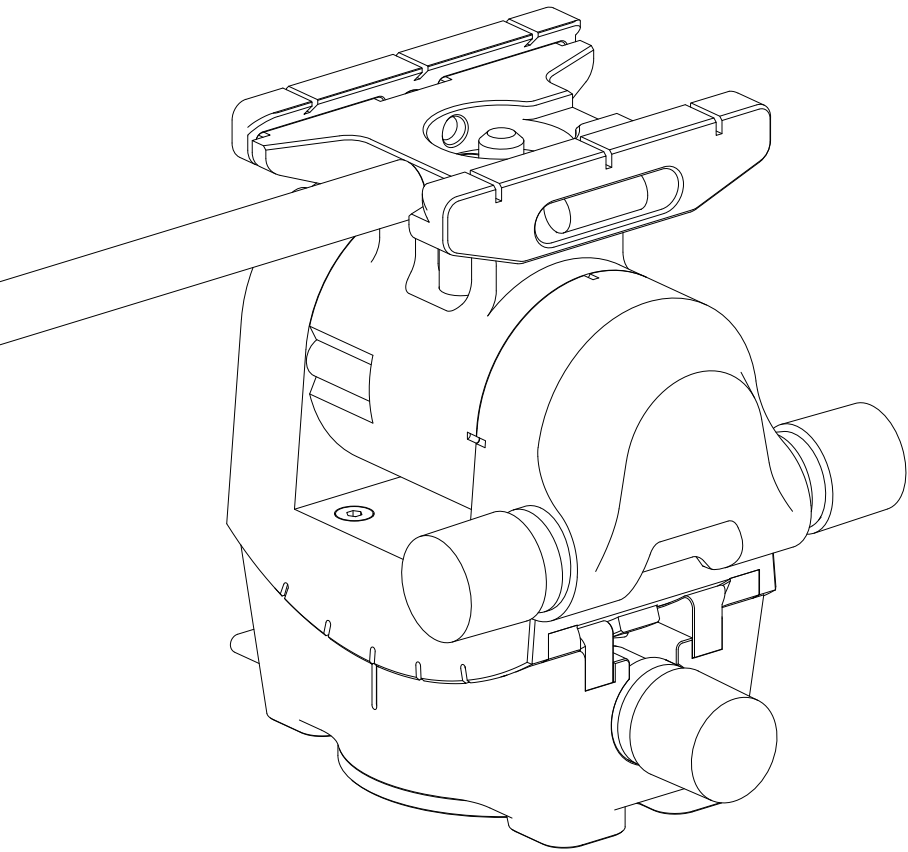
CAP-X2Y, bottom view



Most ROGETI CAP modules have dovetail rails on all sides (allowing them to be mounted in any orientation), however, not all of them have Dowel Pins on each opposing side. Some CAP modules (like our CAP-360) have Dowel Pin on only one set of parallel dovetail rails, while the second set of rails 90° offset from them are standard Arca-Style rails (i.e. without Dowel Pins). Please note that dovetail rails with ROGETI Dowel Pins can ONLY be installed on ROGETI style clamps (because ROGETI clamps have the necessary Dowel Pin Aligners (receivers), while conventional Arca-Style clamps do not. ROGETI dovetail devices without Dowel Pins (or with Dowel Pins on only ONE SET of parallel rails, and not on the second set of parallel rails) ARE compatible with conventional Arca-Style clamps.

With the Multi-Function Handle S20 installed on the side of the Main Platform, the RG-1 can be used to enable smooth panning for video shooting.



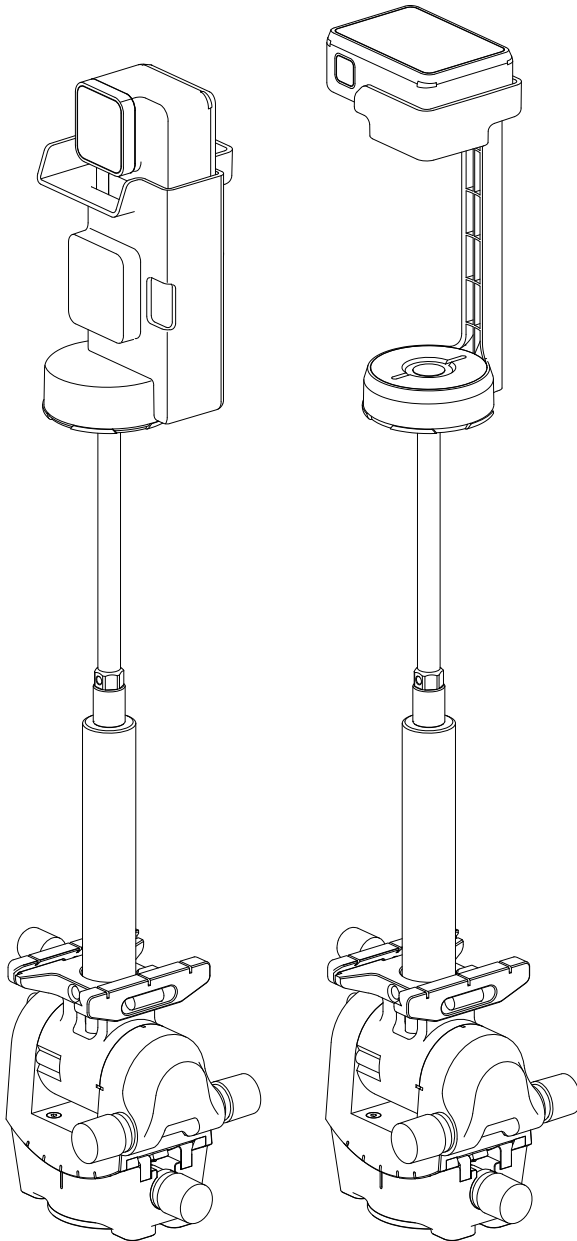


Working with the Multi-Function Handle S20 (Optional) and the Pano5+1 Mark II to capture a 360X180 spherical panorama.

Pano 5+1 Mark II

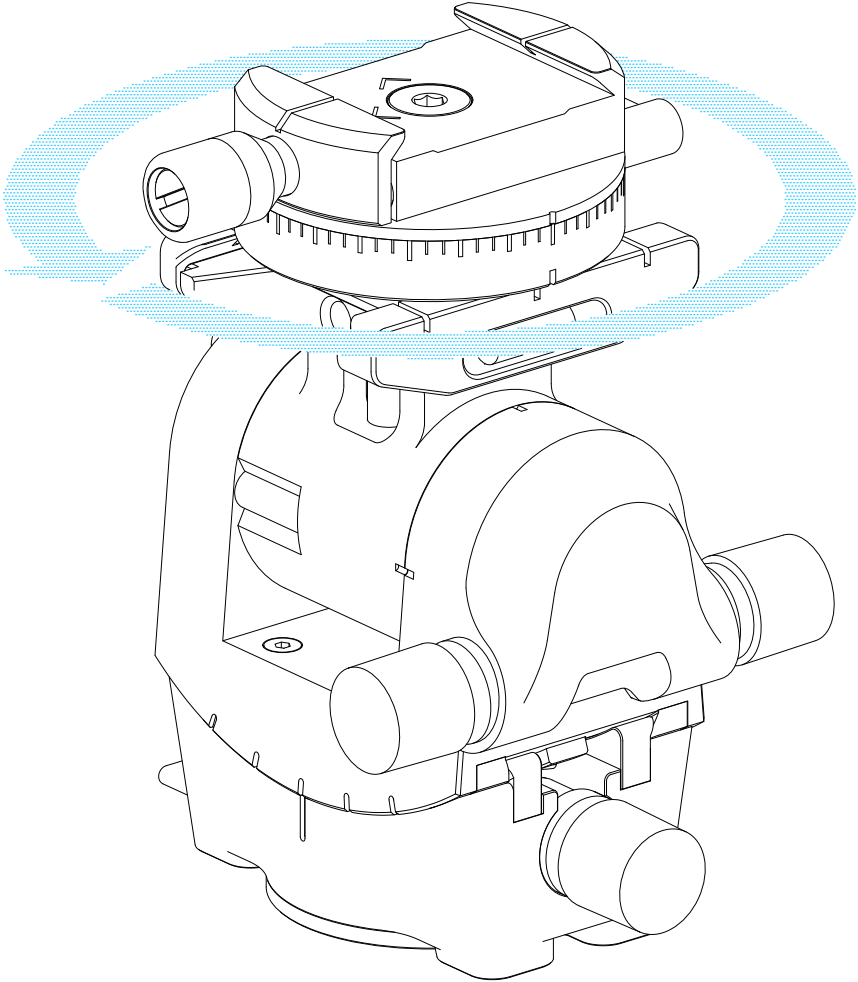
Multi-Function Handle S20

RG-1 Geared Head

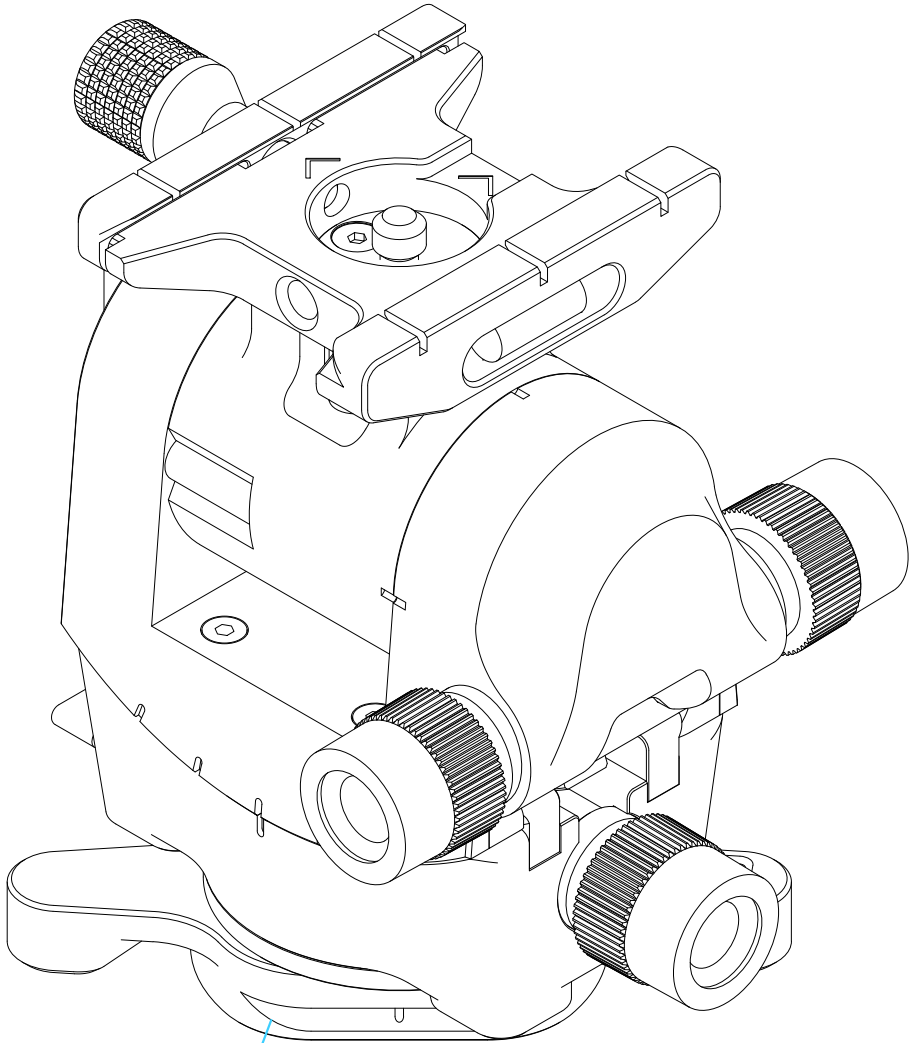


CAP-360 (Optional)
pano plate module
(non-geared)

360 °



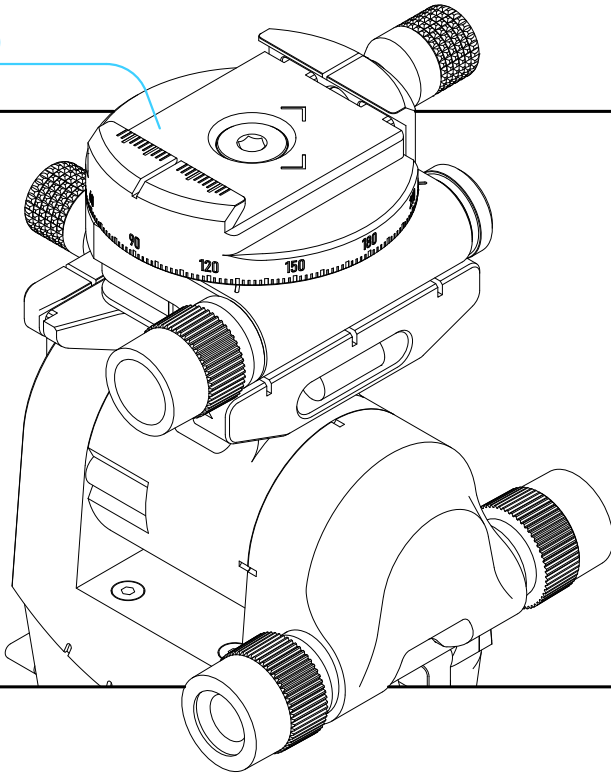
SPN Base (optional): makes attaching and removing the RG-1 from your tripod fast and easy. It also allows CAP-GZA (or any accessory which has an Arca compatible clamp) to be mounted beneath the RG-1 Geared Head.



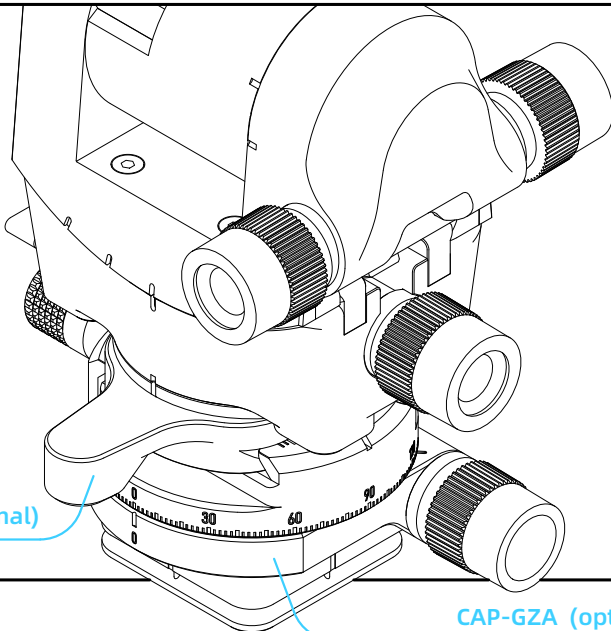
SPN Base (optional)

CAP-GZA (optional)

The CAP-GZA is a Geared Panning Head, providing precision geared rotation around the Z-axis. It can be mounted on top of the RG-1 head unit, or...



... it can be mounted beneath the RG-1 head unit, for maximum versatility!



SPN Base (optional)

CAP-GZA (optional)



Geared Head
RG-1

L-Bracket
QRL-GFX (optional)

Orthogonal Clamp
CAP-X2Y (included)

* Camera and lens not included.

* Tripod not included.