

Slice

designed by Carlos Pisarello
2023

Instruction Manual



Unpacking

- Please unpack the plane carefully making sure that you have retrieved all of the small parts.
- Don't throw the box out until you are 100% sure it's empty!
- Check that all the parts are supplied.
- If any are missing please contact your vendor immediately.

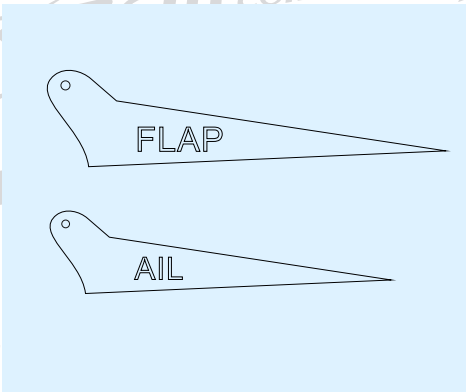
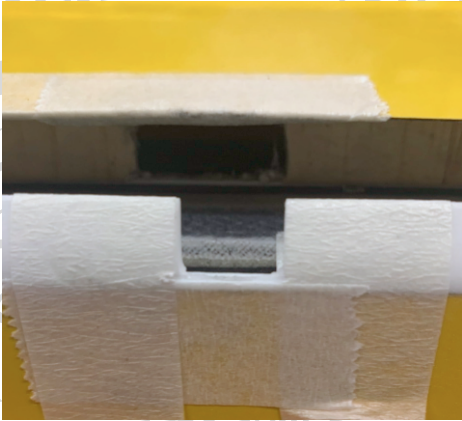
SLICE

designed by Carlos Pisarello
2023

RCRCM
Aero Team-RC Glider

Wings

Control horns for ailerons and flaps



- Make up control rods and clevises using the parts supplied.
- Zero the servos by using your R/C unit.
- Remember! Aileron servo arms can be set to 90 degrees, but the flaps need to have about a 10 degree offset towards the leading edge

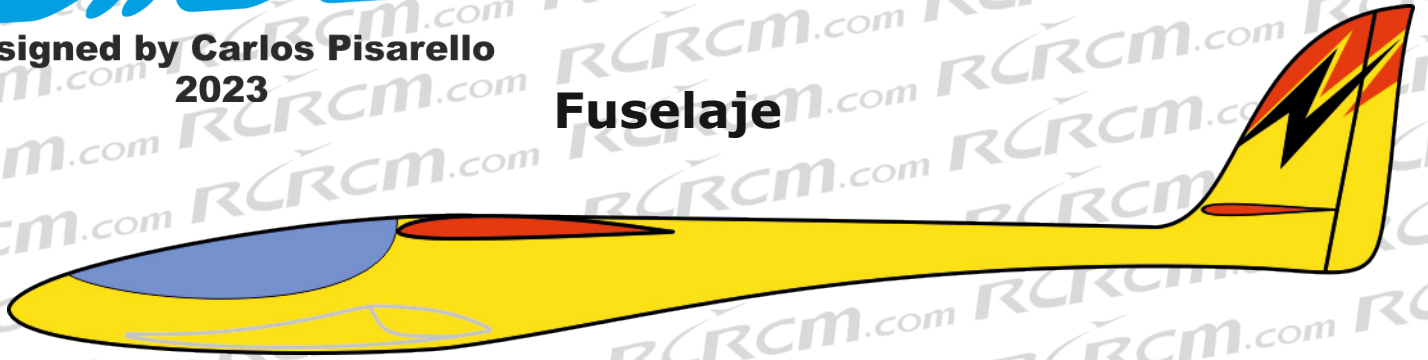
- When the wiring harness is positioned inside the wing and accessible, servos can be installed.
- First, check the position of the servos to make sure they are all symmetrical (In the same place) in each wing.
- Install the control rods on to the servos and check that they do not bind, are snug but not too loose or too tight.
- Tape the control surfaces flat with masking tape.
- Assemble the completed set of servos, and control rods.
- When you are satisfied that you have the correct position for the servo – glue them in using a slow set epoxy,
- When cured and secure, connect the servos to the wiring harness and check for zeros, then for free and adequate movement. Adjust using the clevises if needed. (See the control settings section at the back of this manual for control movements)
- Finally, check the fit of the servo hatch covers and sand if not snug.
- Then put some double sided tape on the underside and install all on to the servo hatches.

Slize

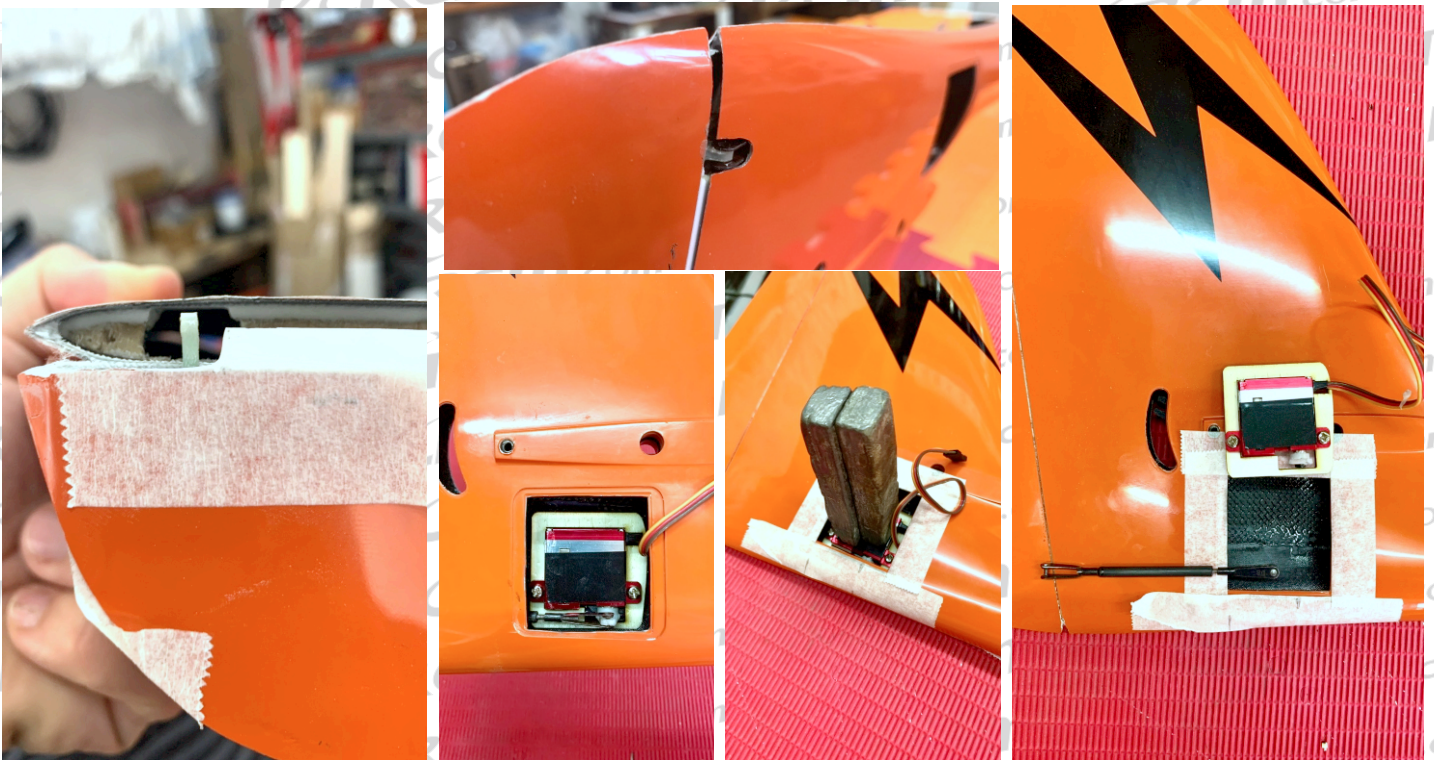
designed by Carlos Pisarello
2023

RCRCM
Aero Team-RC Glider

Fuselaje



Rudder servo installation



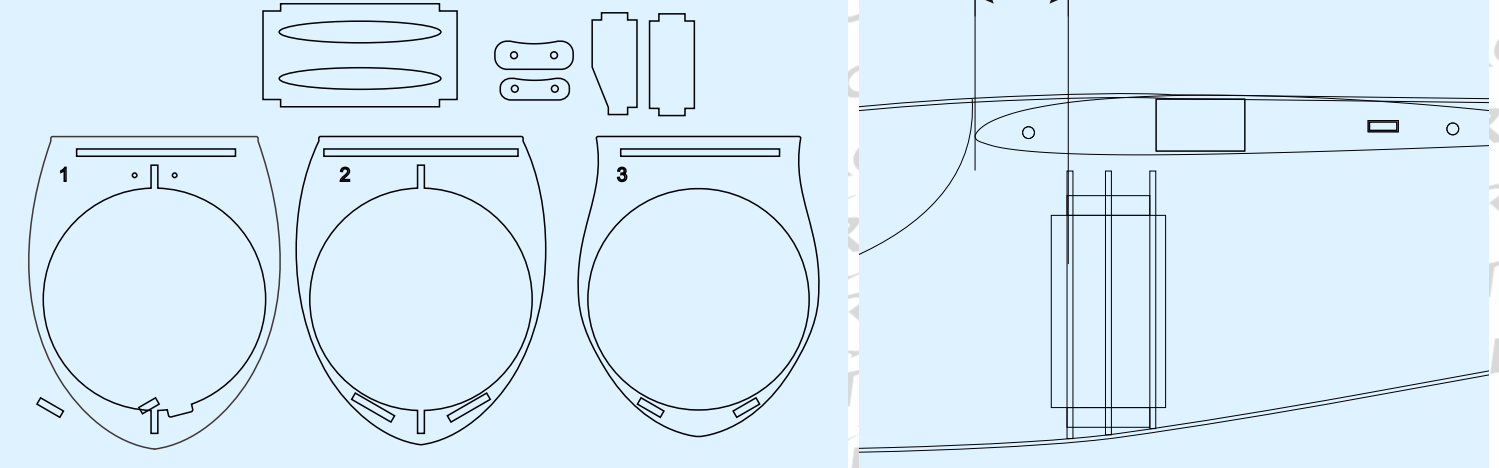
Elevator servo installation



- Make up control rods and clevises using the parts supplied.

Electric Ducted fan intallation

EDF 90mm ducted fan's wooden mount parts



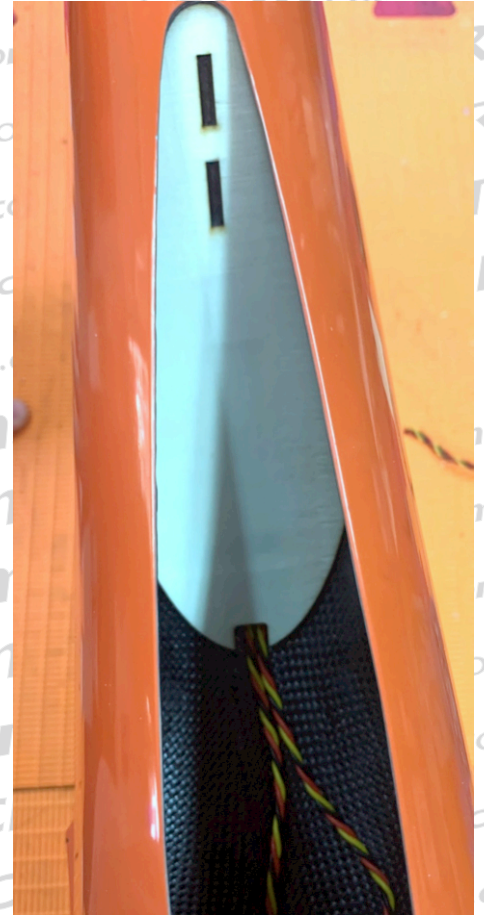
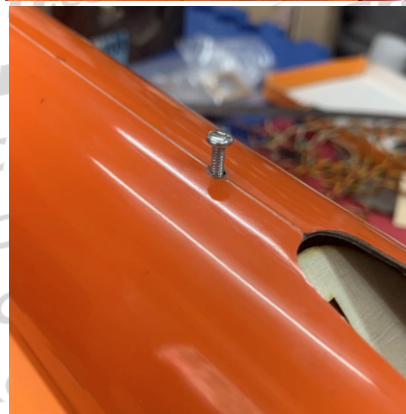
- Assemble the ducted fan's wooden mount parts and glue into the fuselage in position showed



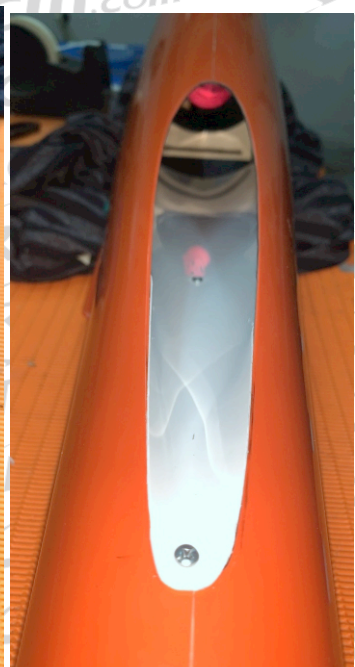


designed by Carlos Pisarello
2023

Back frame's exhaust installation



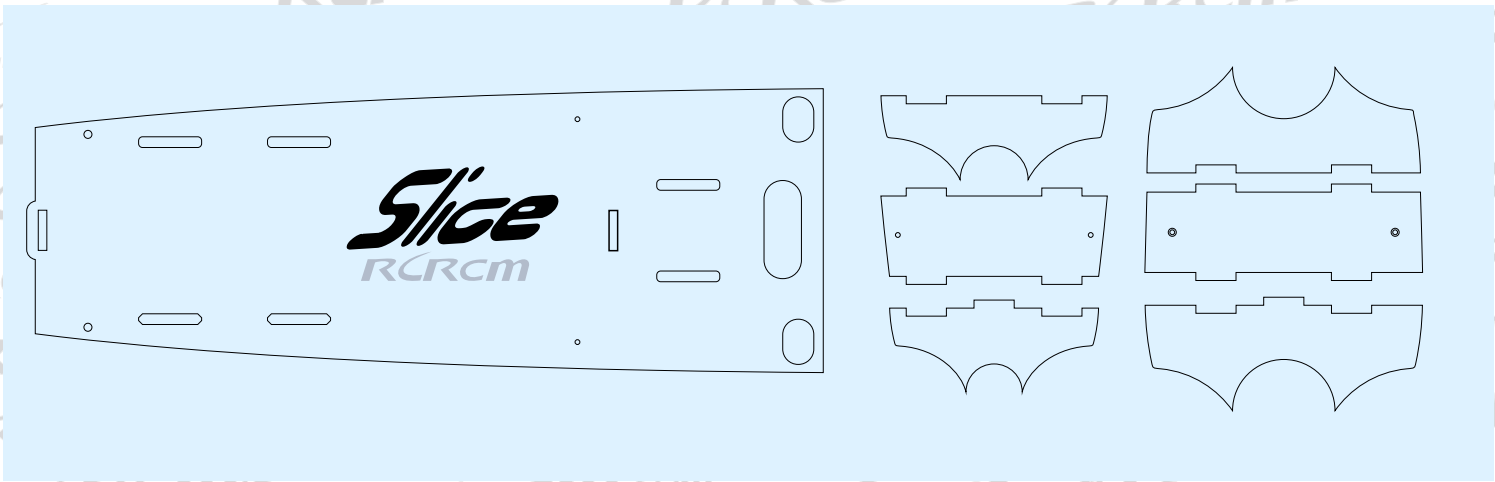
Air flow canalizer plastic frame's installation



Slice

designed by Carlos Pisarello
2023

RX and Batteries frame



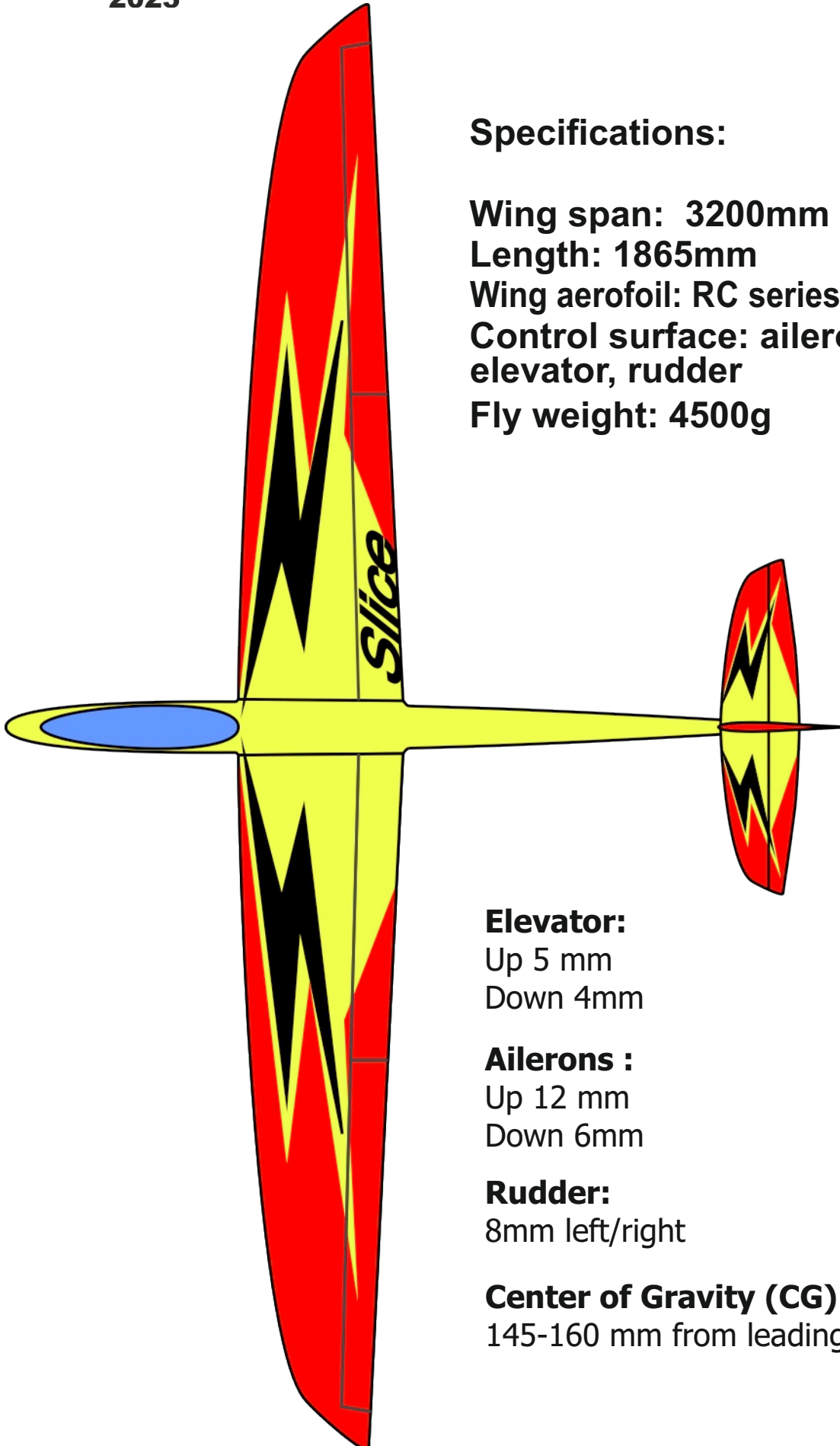
Assemble the Rx and Batteries frame and glue it



Slice

designed by Carlos Pisarello
2023

RCRCM
Aero Team-RC Glider



Specifications:

Wing span: 3200mm

Length: 1865mm

Wing aerofoil: RC series

Control surface: ailerons, flaps, elevator, rudder

Fly weight: 4500g

Elevator:

Up 5 mm

Down 4mm

Ailerons :

Up 12 mm

Down 6mm

Rudder:

8mm left/right

Center of Gravity (CG):

145-160 mm from leading edge