

**Item Number:** F00104

**WARNING**

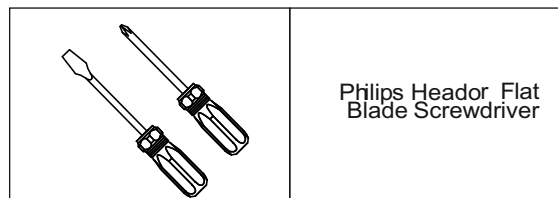
1. Please read the instruction carefully and save it as you may need it at a later time.
2. The safety instructions appearing in this manual are not meant to cover all possible conditions that may occur. It must be understood that common sense, caution and care must be used with any products.

**IMAGE FOR FINISHED PRODUCT:**



**TOOLS REQUIRED  
(NOT INCLUDED):**

Before starting assembly and installation please prepare the needed tools as below picture



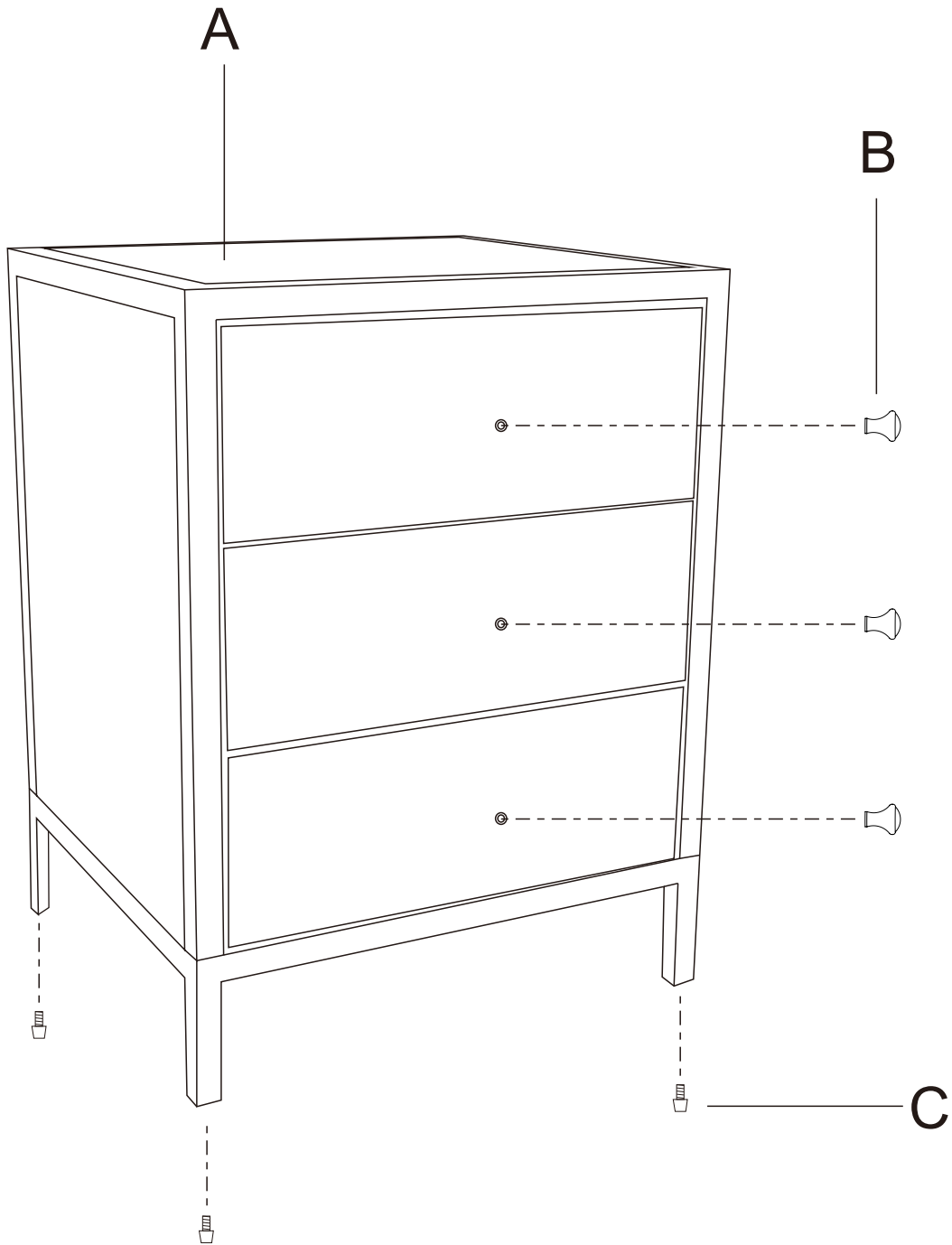
Philips Heador Flat  
Blade Screwdriver

**ORDERING PARTS**

Keep this sheet for future reference in case you need to order replacement parts. All parts for this fixture can be ordered from the place of purchase. Be sure to use exact wording from illustration when ordering parts.

**CLEANING**

To clean, wipe the fixture with a soft cloth. Clean glass with a mild cleaner (such as mild and non-abrasive soap). Do not use abrasive materials such as scouring pads or powders, steel wool or abrasive paper.



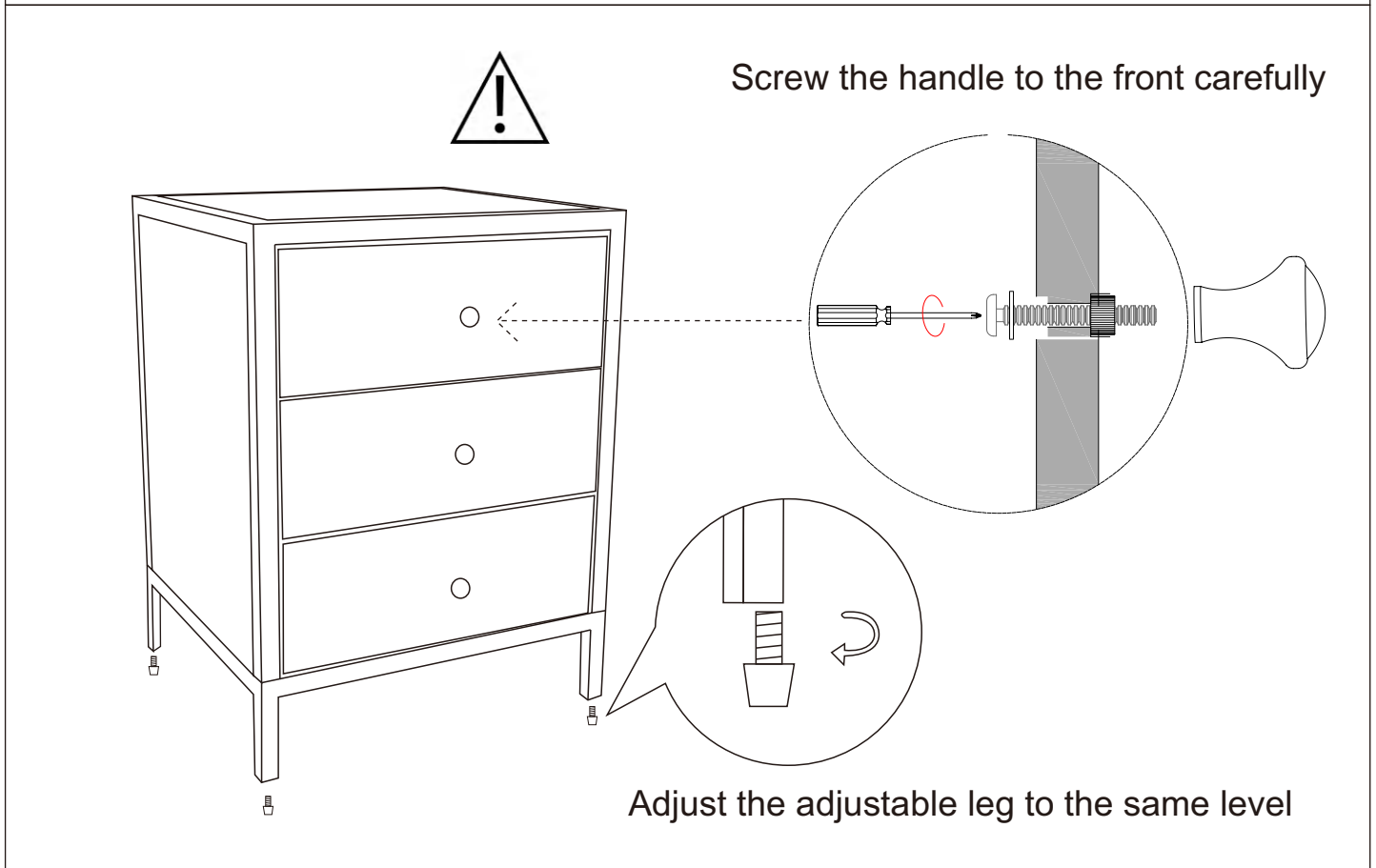
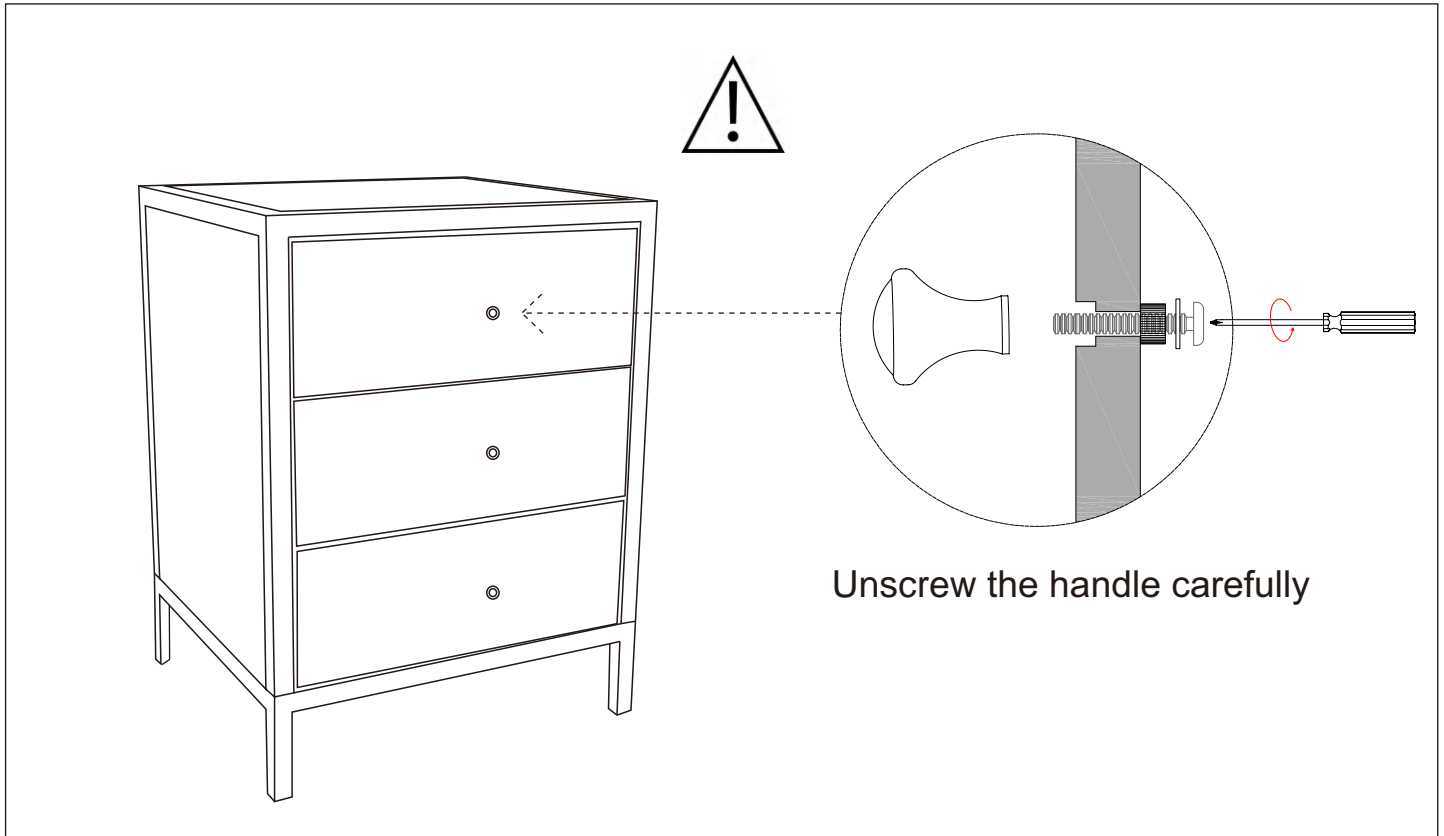
**PARTS TYPE & QTY INCLUDING:**

(A) Cabinet

**ACCESSORIES & QTY ENCLOSED:**

(B) Handle (3)

(C) Adjustable leg(4)



**ASSEMBLY & INSTALLATION INSTRUCTIONS:**

Carefully remove the fixture from the carton and check that all parts and accessories are included as shown in the above illustration.