
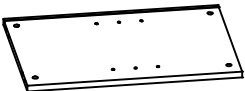








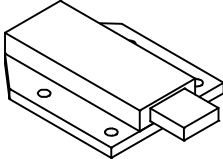
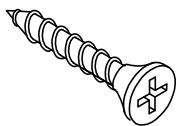
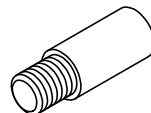
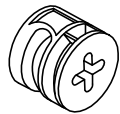
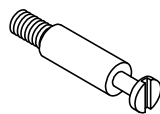
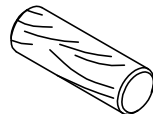
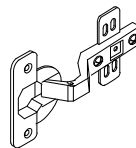


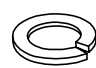

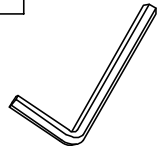
# Cabinet F00088



# PART LIST

<p><b>A</b></p> 	<p><b>B</b></p> 	<p><b>C</b></p> 	<p><b>D</b></p> 	<p><b>E</b></p> 
<p>Top Panel 1 PC</p>	<p>Side Panel 2 PCS</p>	<p>Bottom Panel 1 PC</p>	<p>Shelf Panel 1 PC</p>	<p>Back Panel 1 PC</p>
<p><b>F</b></p> 	<p><b>G</b></p> 	<p><b>H</b></p> 		
<p>Left Door Panel 1 PC</p>	<p>Right Door Panel 1 PC</p>	<p>LEG 4 PCS</p>		

# HARDWARE LIST

<p>1</p> 	<p>2</p> 	<p>3</p> 	<p>4</p> 	<p>5</p> 
<p>Magnetic Latch 2pcs</p>	<p>Latch Screw 8pcs(Extra 1)</p>	<p>Shelf Holder 4pcs(Extra 1)</p>	<p>Cam Lock 8pcs(Extra 1)</p>	<p>Cam Bolt 8pcs(Extra 1)</p>
<p>6</p> 	<p>7</p> 	<p>8</p> 	<p>9</p> 	<p>10</p> 
<p>Wood Dowel 8pcs(Extra 1)</p>	<p>Door Hinge 4pcs</p>	<p>Hinge Screw 24pcs(Extra 1)</p>	<p>Flat Washers 16pcs(Extra 1)</p>	<p>Spring Washers 16pcs(Extra 1)</p>
<p>11</p> 	<p>12</p> 			
<p>Bolt 16pcs(Extra 1)</p>	<p>Allen Wrench 1pcs</p>			

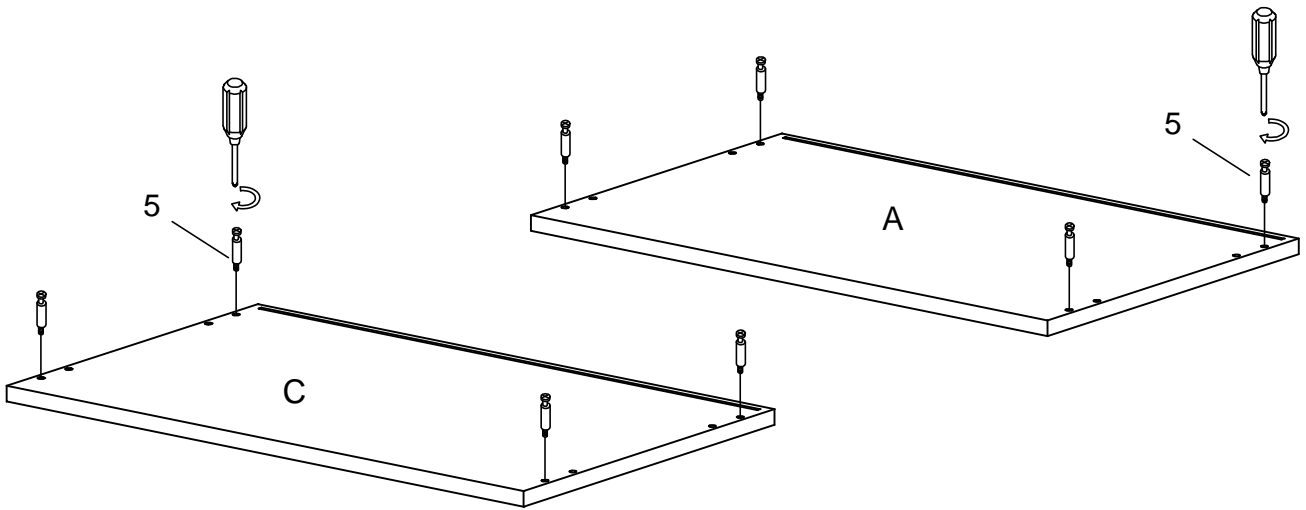
## ADDITIONAL TOOLS ( Not Provided )

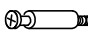
Note : It is not recommended to use power tools during assembly .

Phillips Head Screwdriver

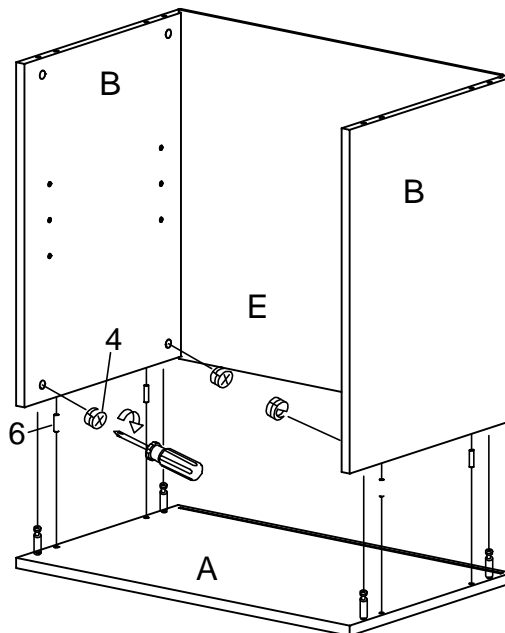


Step 1. Attach cam bolts( part 5) to top panel ( part A ) and bottom panel ( part C ) using Phillips head screwdriver .



part 5  x 8 pcs

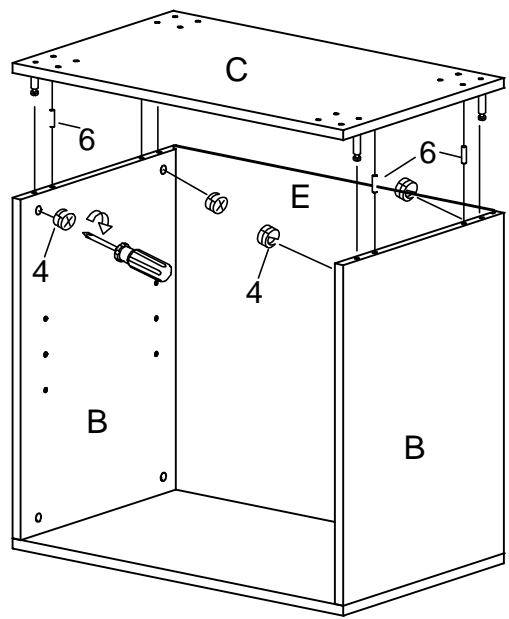
Step 2. Attach side panels( part B ) to top panel ( part A ) using wood dowels( part 6). Attach back panel( part E ) to top panel ( part A ) using Cam Locks( part 10) with Phillips head screwdriver .



part 4  x 4 pcs

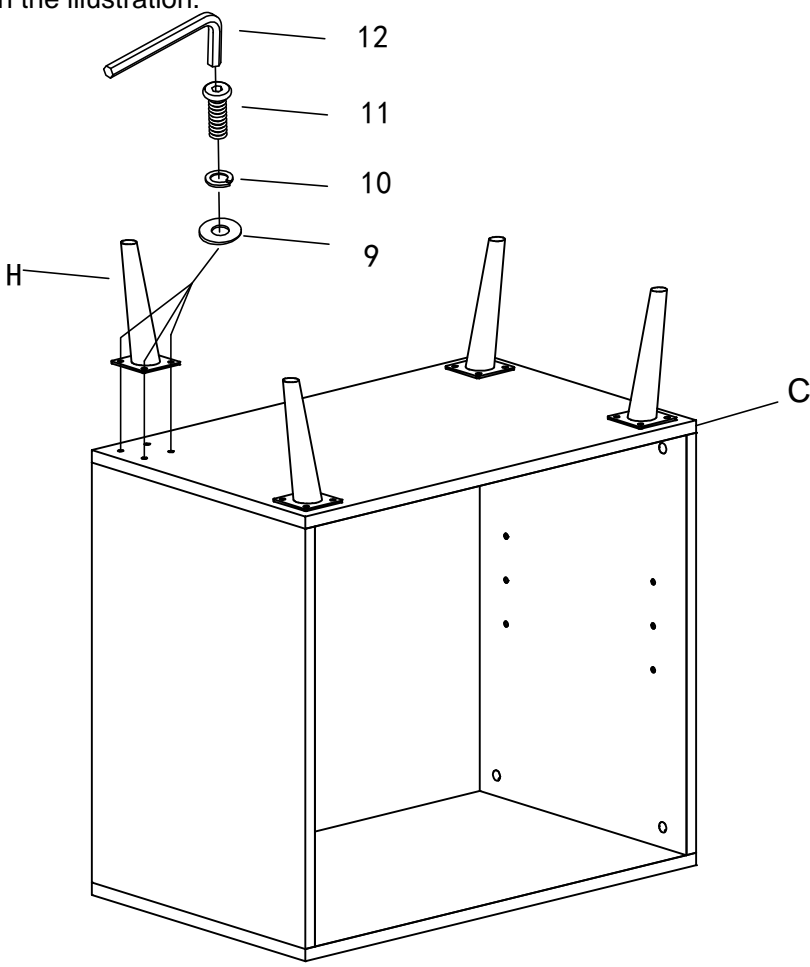
part 6  x 4 pcs





Step 3. Attach bottom panel ( part C ) to assembled unit ( parts B & E ) using wood dowels ( part 6 ) and secure them by using cam locks ( part 4 ) with Phillips head screwdriver.



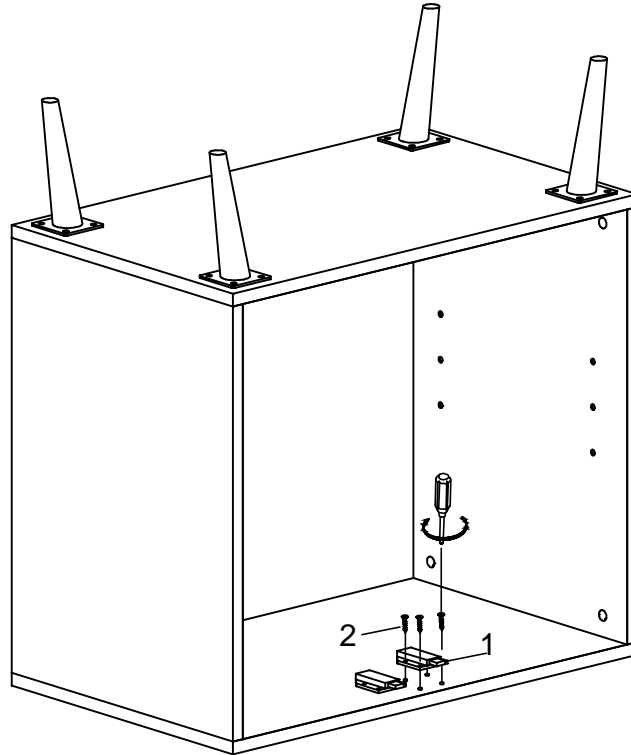
- part 4  x 4 pcs
- part 6  x 4 pcs


Step 4. Attach legs ( part H ) to bottom panel( part C ) using bolts ( part 11 ), spring washers( part 10 ) and flat washers( part 9 ) with Allen Wrench ( part 12 ). as shown in the illustration.



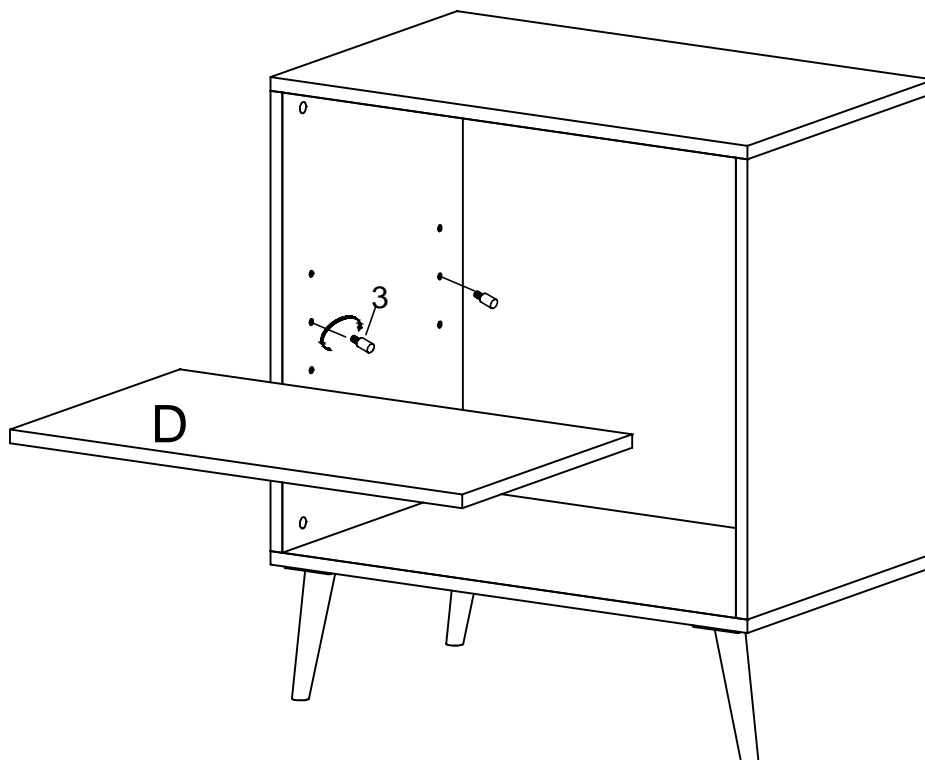
- part 11  x 16 pcs
- part 10  x 16 pcs
- part 9  x 16 pcs
- part 12  x 1 pc

Step 5. Attach magnetic latches (part 1) to top panel (part A) using latch screws (part 2) with Phillips screwdriver



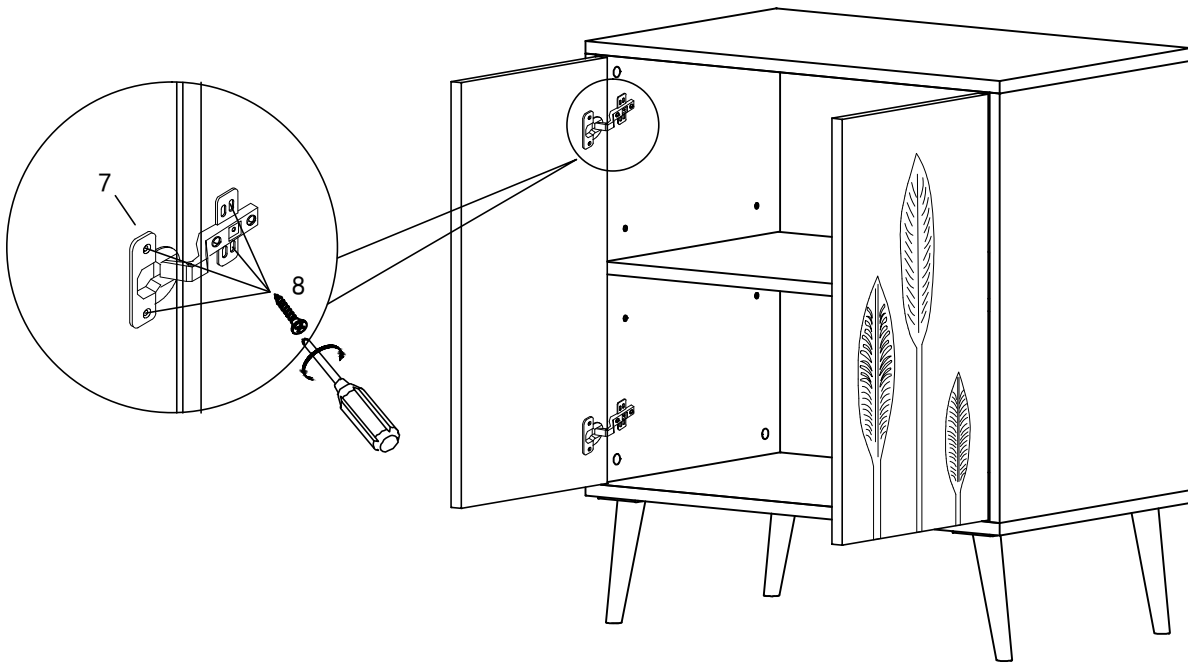
part 1  x 2 pcs  
part 2  x 4 pcs



Step 6. Insert shelf holders (part 3) into the pre-drilled holes on side panels (part B). Slide shelf panel (part D) into place until it is fixed on the shelf holders (part 3).

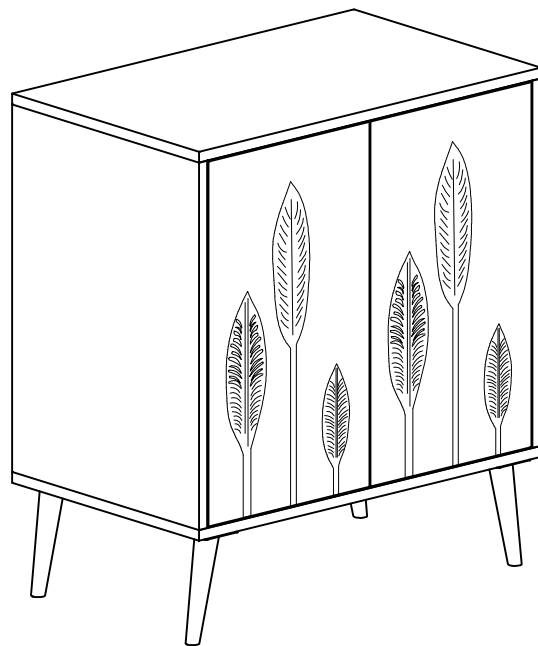


part 3  x 4 pcs

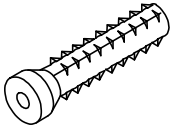

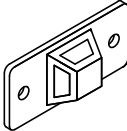
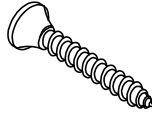
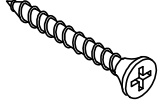
Step 7. Attach door hinges ( part 7) to side panels ( part B) and the door panels ( part F& G) using hinge screws (part 8) with Phillips screwdriver



- part 7  x 4 pcs
- part 8  x 24 pcs



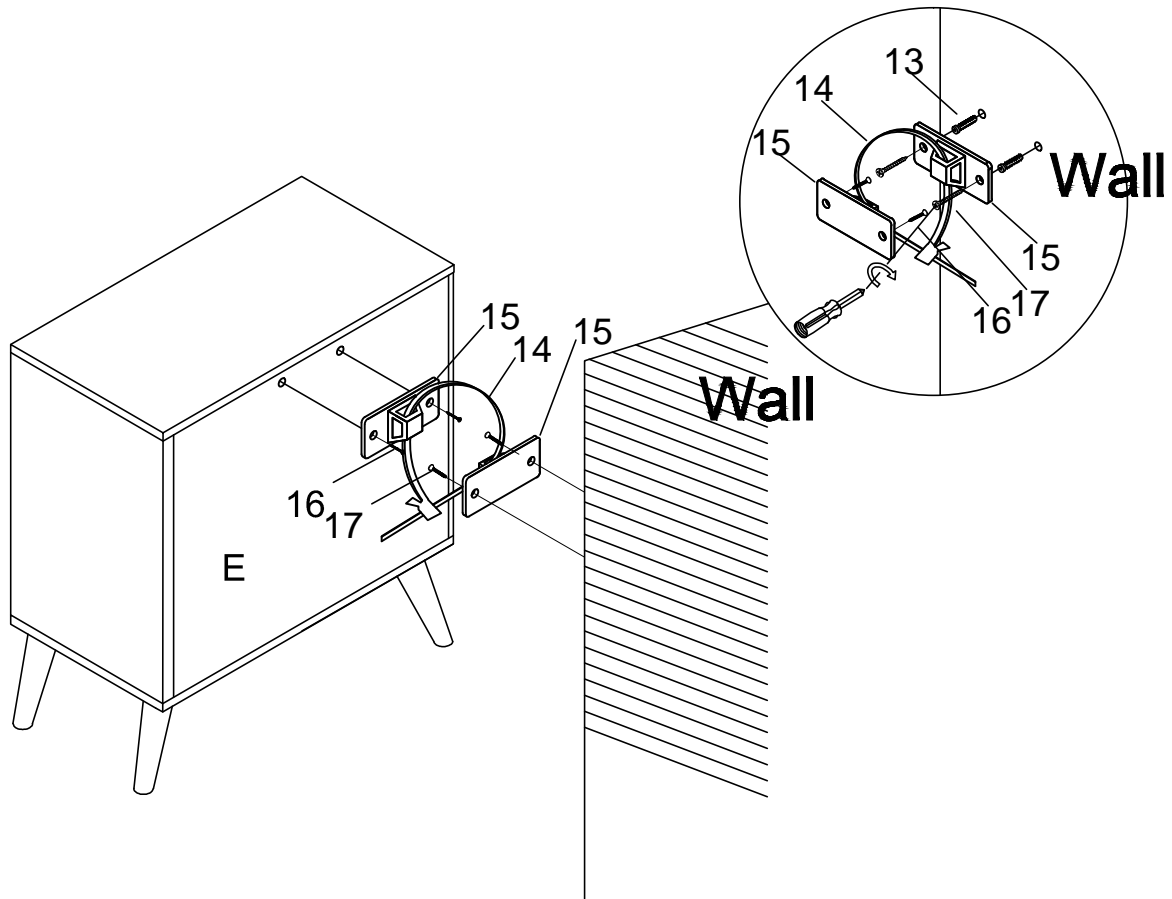
## ANTI TIPPING KIT INSTALLATION INSTRUCTIONS

<b>13</b>	<b>14</b>	<b>15</b>	<b>16</b>	<b>17</b>
				
Wall Anchor 2pcs	Restraint Strap 1pc	Plastic Bracket 2pcs	Short Screw 2pcs #3*10	Long Screw 2pcs #3*25

Note: It is highly recommended to install this safety strap kit to prevent tipping, damage and/or injury.

1. Attach one plastic bracket (part 15) to back panel (part E) using the short screws (part 16) then tighten short screws (part 16) through small holes of the plastic bracket ( part 15 ) using Phillips head screwdriver.
2. Attach the other plastic bracket (part 15) to the wall using wall anchors (part 13) and long screws (part 17) then tighten long screws (part 17) through small holes of the plastic bracket ( part 15 ) using Phillips head screwdriver.
3. Place the furniture into position so both corner braces are vertically in line.
4. Lace the end of restraint strap (part 14) through middle hole in each plastic bracket (part 15). Bring both ends together and slide the flat end of restraint strap (part 14) through the locking end and pull it through until all slack is removed.
5. Confirm that the restraint strap (part 14) is securely laced .

Note: This item is not intended for clothing storage .

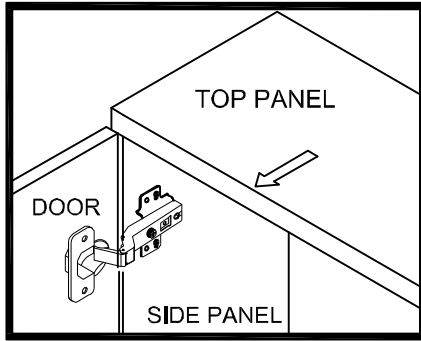




# ADJUST YOUR DOORS TO MAKE THE GAPS MORE EVEN (OPTIONAL).

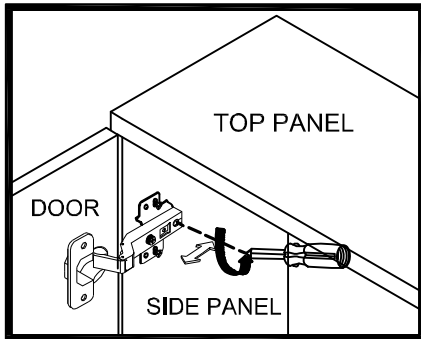
## STEP 1

Open the door



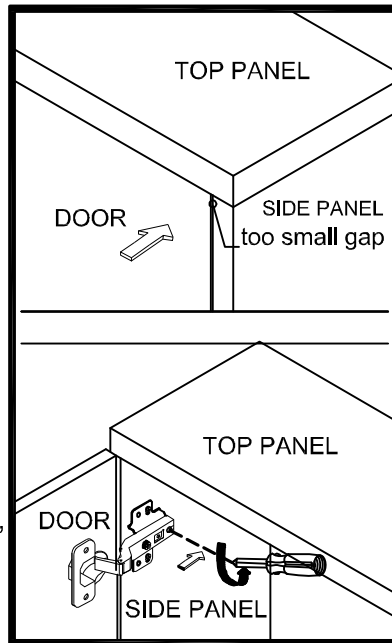
## STEP 2

Adjust the gap between door panel and side panel



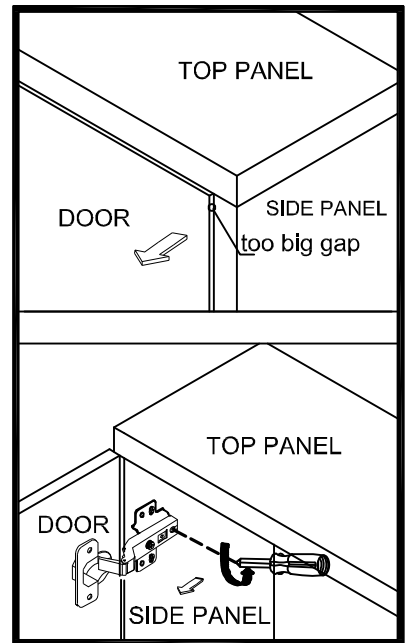
Loosen the screw indicated a little, adjust the hinge to right position (see step 2a & 2b), then tighten the screw.

### STEP 2a MOVE DOOR IN



Push the hinge back a little.

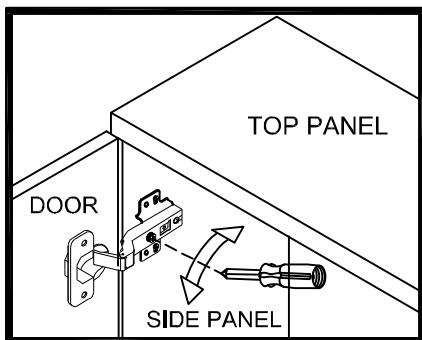
### STEP 2b MOVE DOOR OUT



Pull the hinge forward a little.

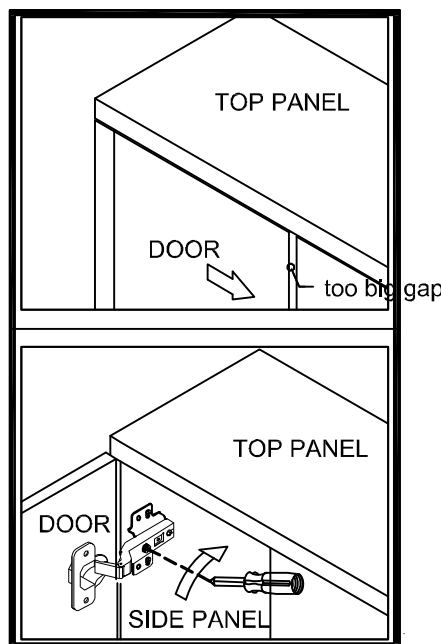
## STEP 3

To adjust the gap between two door



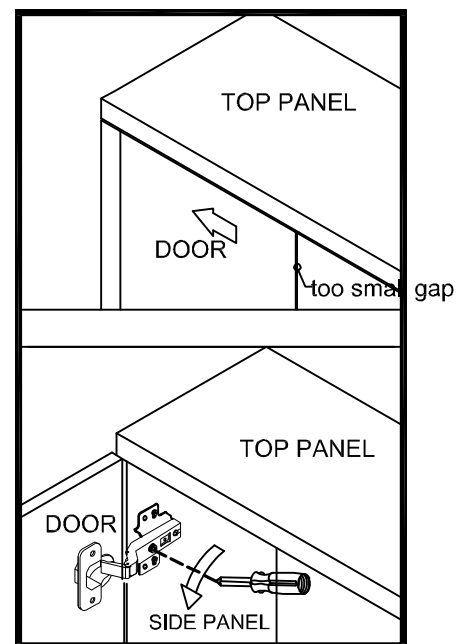
Loosen or tighten the screw indicated a little to adjust the gap between doors panels (see step 3a & step 3b)

### STEP 3a MOVE DOOR RIGHT



Turn the screw clockwise a little as shown to make the gap small.

### STEP 3b MOVE DOOR LEFT



Turn the screw counterclockwise a little as shown to make the gap big.