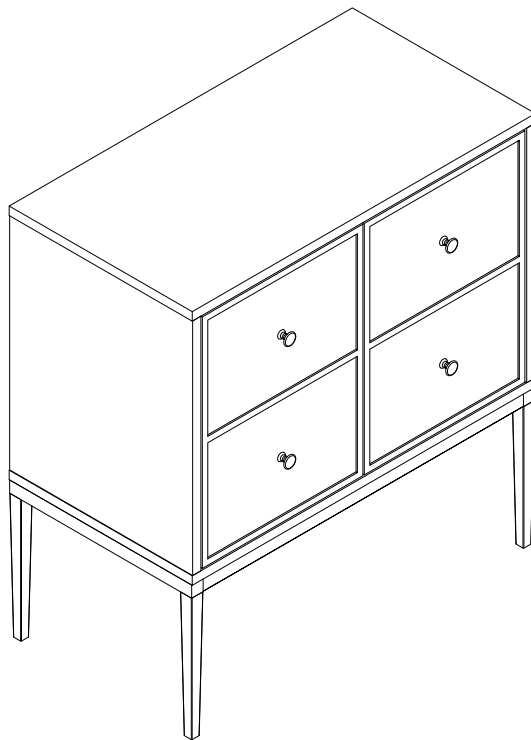
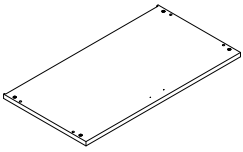
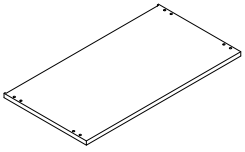
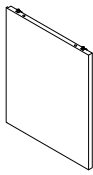
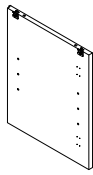
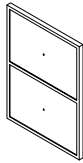
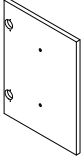
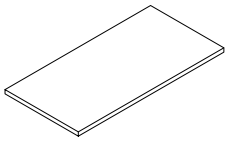
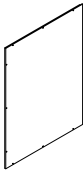
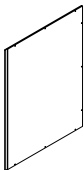
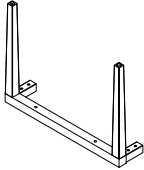
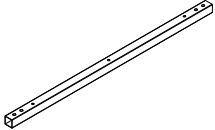


F00078

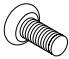
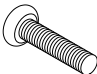
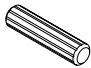
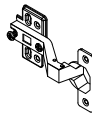



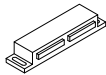


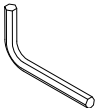


Cabinet



# PART LIST

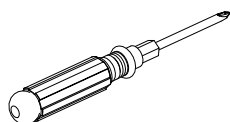
<p><b>A</b></p> 	<p><b>B</b></p> 	<p><b>C</b></p> 	<p><b>D</b></p> 	<p><b>E</b></p> 
<p>Top Panel 1 PC</p>	<p>Bottom Panel 1 PC</p>	<p>Left Panel 1 PC</p>	<p>Right Panel 1 PC</p>	<p>Left Door 1 PC</p>
<p><b>F</b></p> 	<p><b>G</b></p> 	<p><b>H</b></p> 	<p><b>I</b></p> 	<p><b>J</b></p> 
<p>Right Door 1 PC</p>	<p>Adjustable Shelf 1 PC</p>	<p>Left Back Panel 1 PC</p>	<p>Right Back Panel 1 PC</p>	<p>Metal Leg 2 PCS</p>
<p><b>K</b></p> 				
<p>Middle Metal 2 PCS</p>				

# HARDWARE LIST

<p>1</p>  <p><math>\phi 1/4" * 3/8"</math></p>	<p>2</p>  <p><math>\phi 1/4" * 1-1/4"</math></p>	<p>3</p>  <p><math>\phi 8 * 30\text{mm}</math></p>	<p>4</p> 	<p>5</p>  <p><math>\phi 3.5 * 12\text{mm}</math></p>
<p>Short Bolt 8 PCS (Extra 1)</p>	<p>Long Bolt 4 PCS (Extra 1)</p>	<p>Wood Dowel 8 PCS (Extra 1)</p>	<p>Hinge 4 PCS</p>	<p>Hinge Screw 24 PCS (Extra 1)</p>
<p>6</p> 	<p>7</p>  <p><math>\phi 5/32" * 3/4"</math></p>	<p>8</p> 	<p>9</p>  <p><math>\phi 3 * 14\text{mm}</math></p>	<p>10</p>  <p><math>\phi 3 * 12\text{mm}</math></p>
<p>Knob 4 PCS</p>	<p>Round Head Bolt 4 PCS</p>	<p>Magnet Latch 1 PC</p>	<p>Latch Screw 2 PCS</p>	<p>Round Head Screw 18 PCS (Extra 2)</p>
<p>11</p> 	<p>12</p>  <p><math>\phi 4 * 38\text{mm}</math></p>	<p>13</p> 		
<p>Allen Wrench 1 PC</p>	<p>Flat Head Screw 10 PCS (Extra 1)</p>	<p>Shelf Holder 4 PCS (Extra 1)</p>		

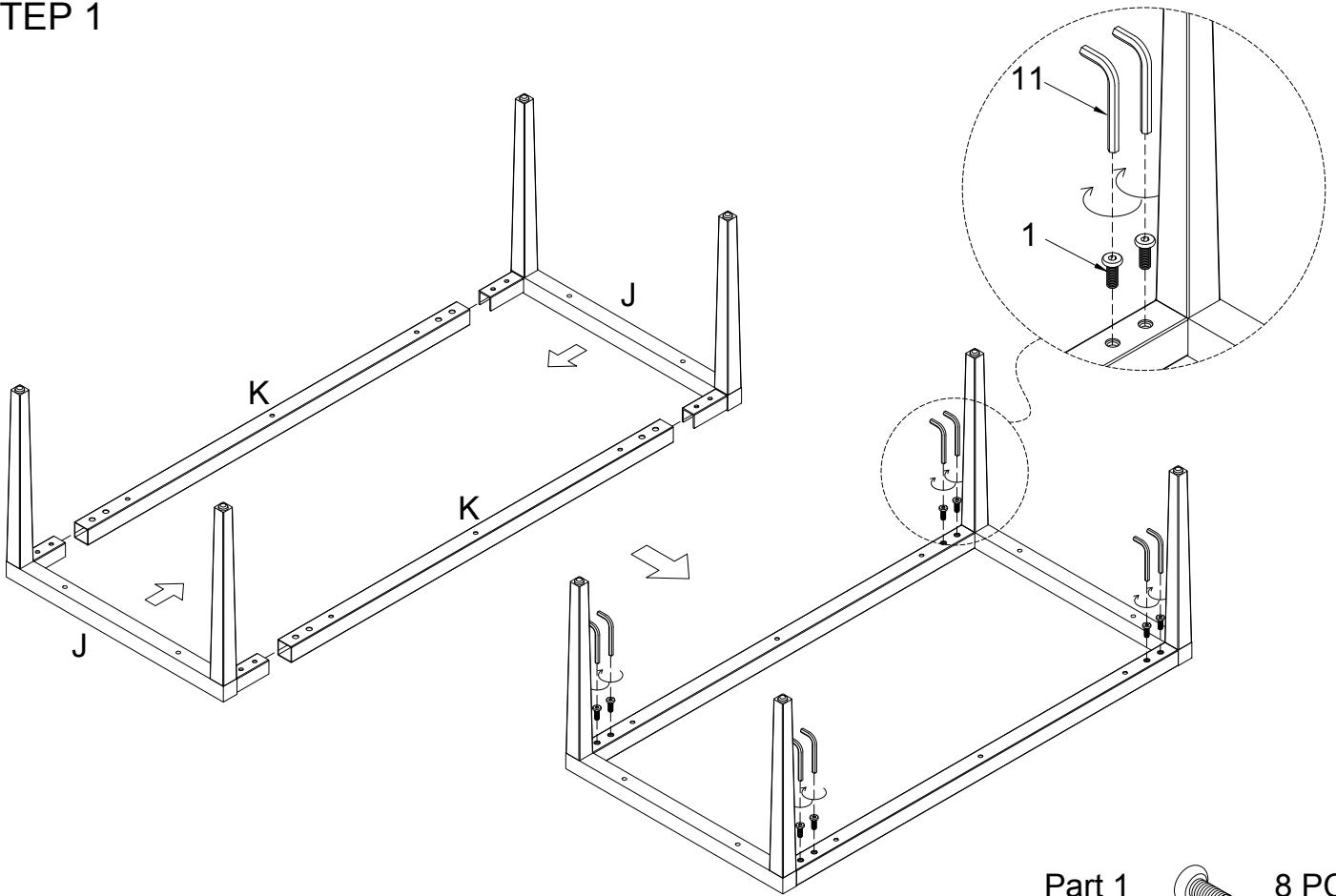
## ADDITIONAL TOOLS (Not Provided)

Note: It is not recommended to use power tools during assembly.



Phillips Head Screwdriver

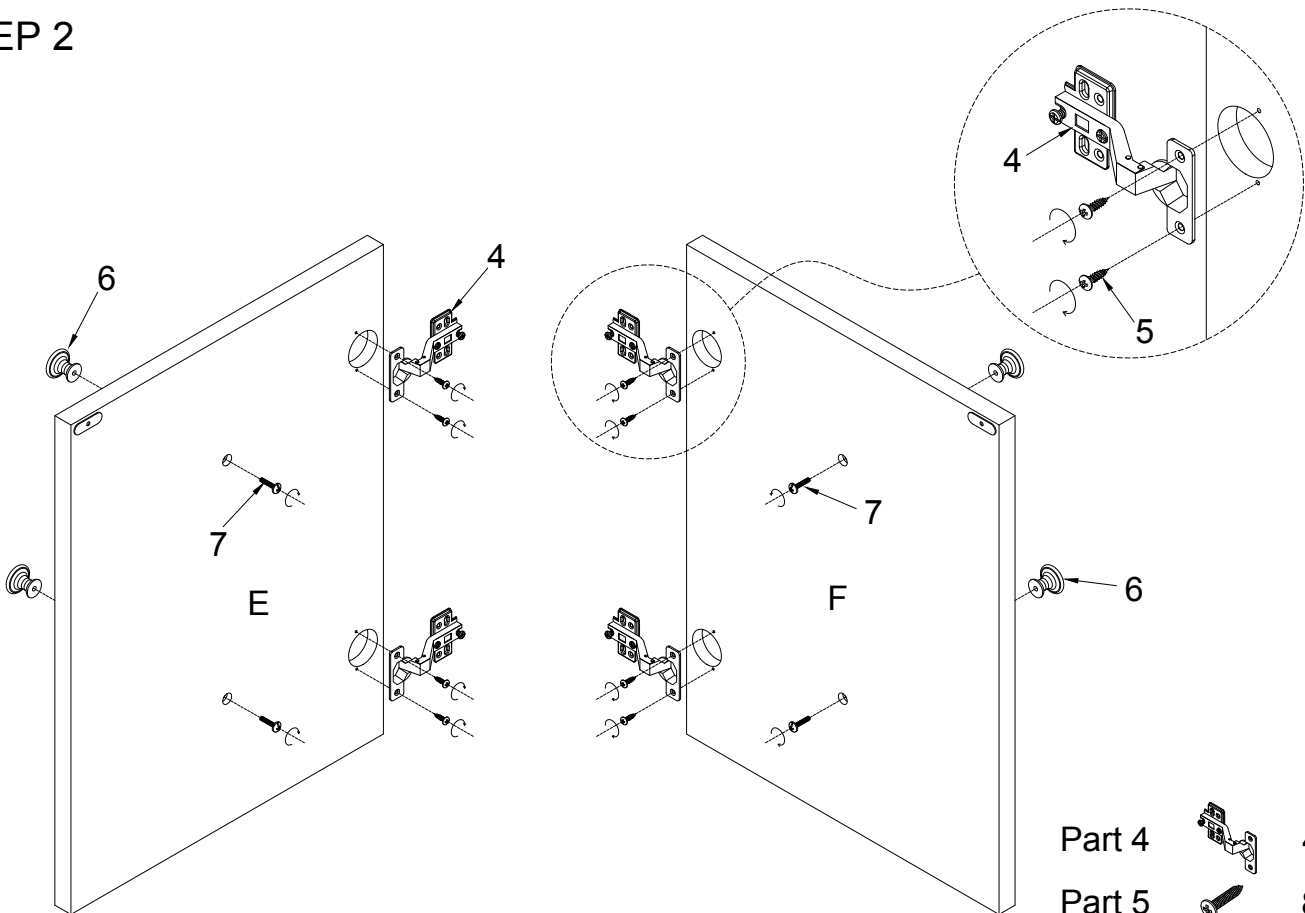
# STEP 1




Part 1  8 PCS

Part 11  1 PC

# STEP 2



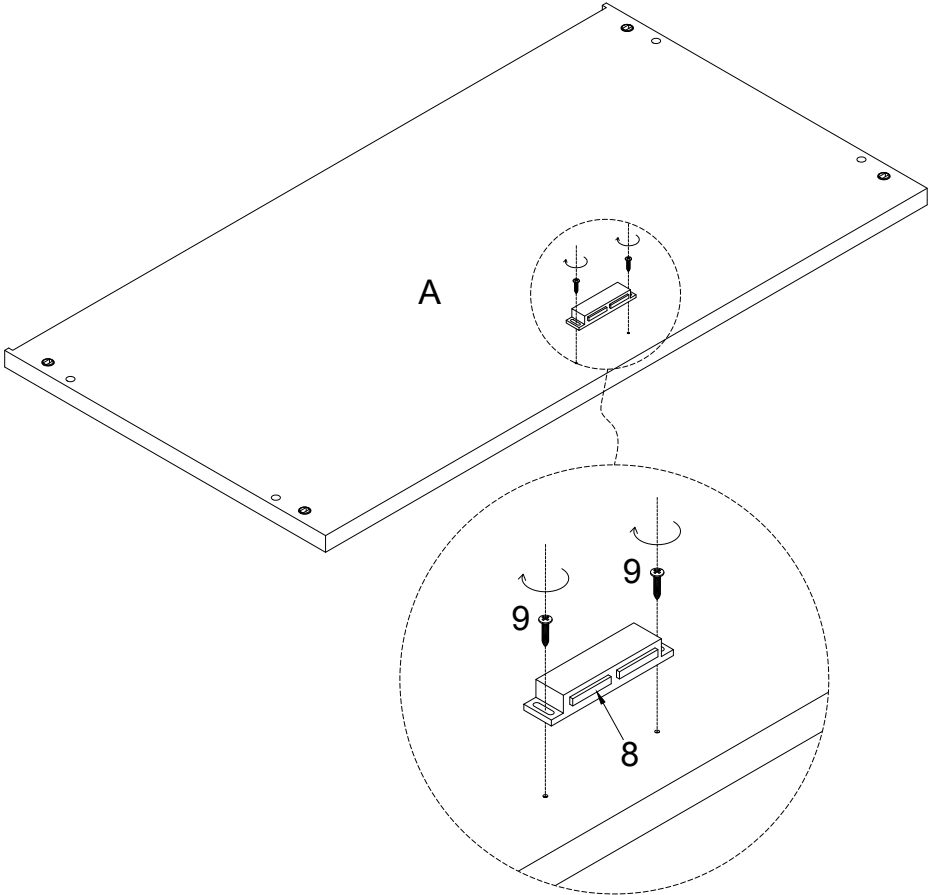
Part 4  4 PCS

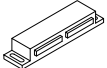

Part 5  8 PCS

Part 6  4 PCS

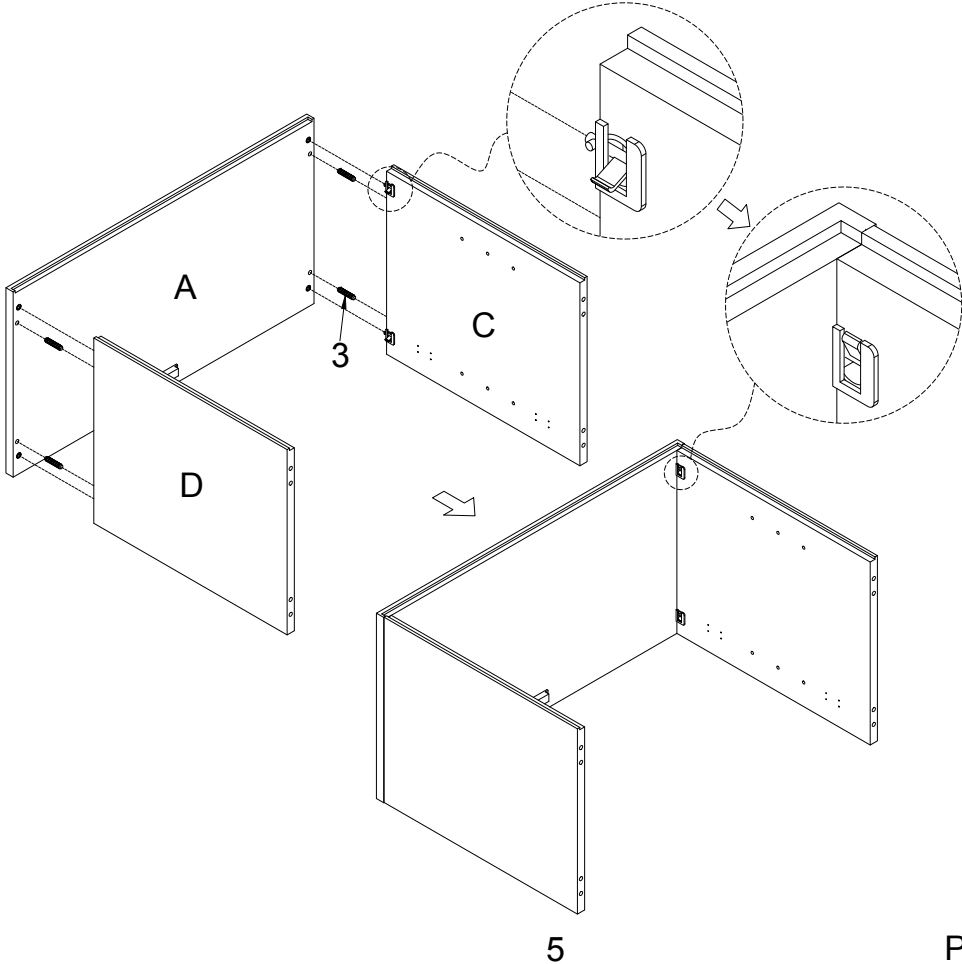
Part 7  4 PCS

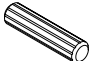
STEP 3



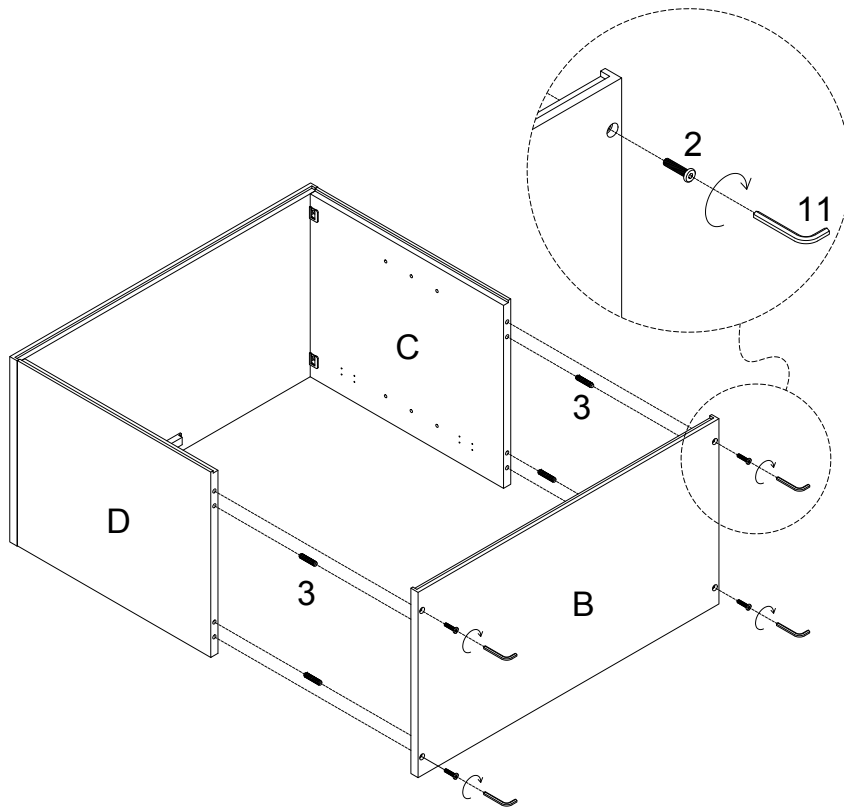
- Part 8  1 PC
- Part 9  2 PCS

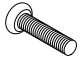
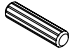

STEP 4



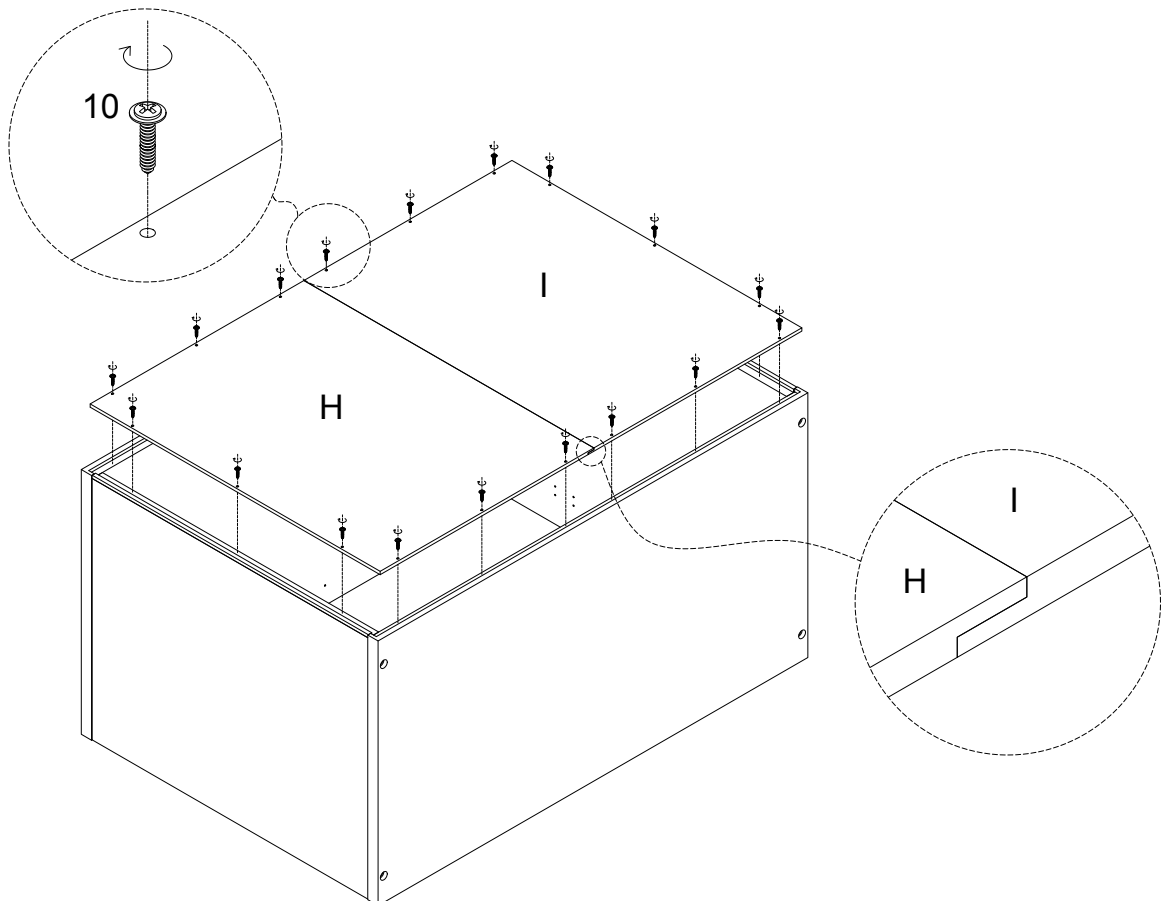
- Part 3  4 PCS

# STEP 5



- Part 2  4 PCS
- Part 3  4 PCS
- Part 11  1 PC

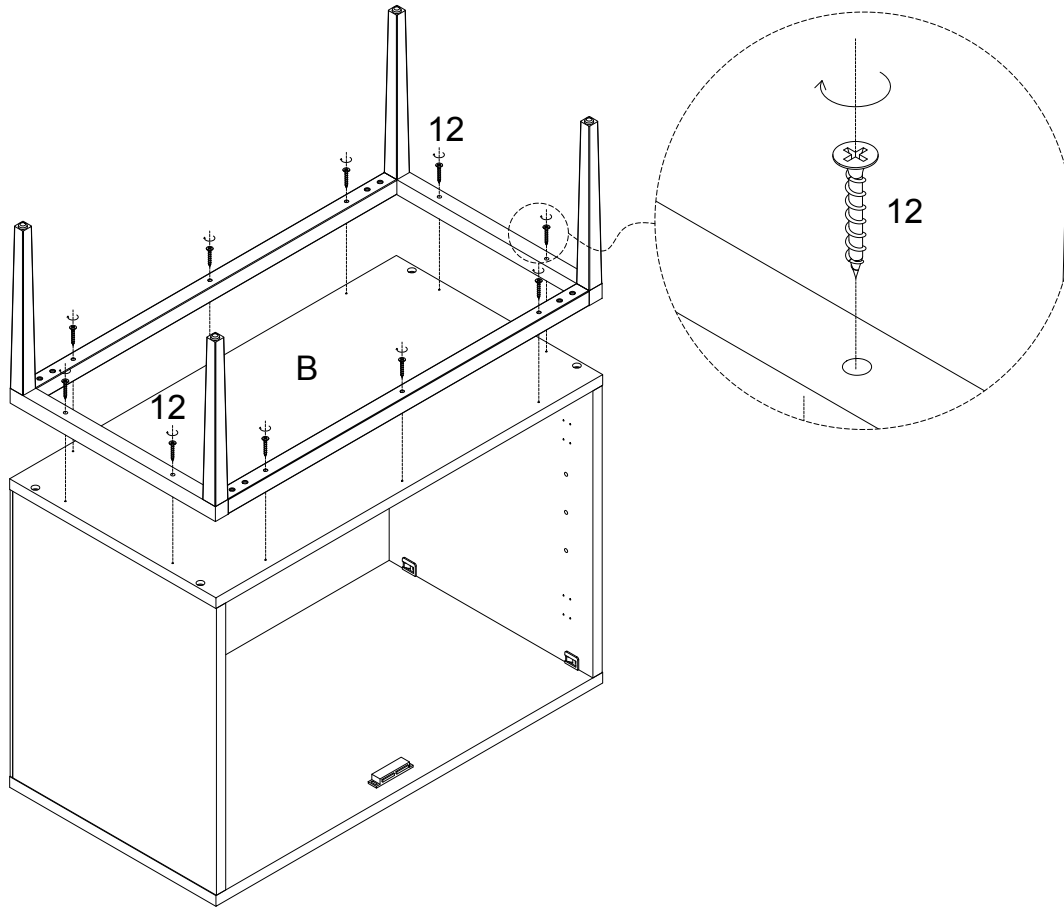
# STEP 6



6

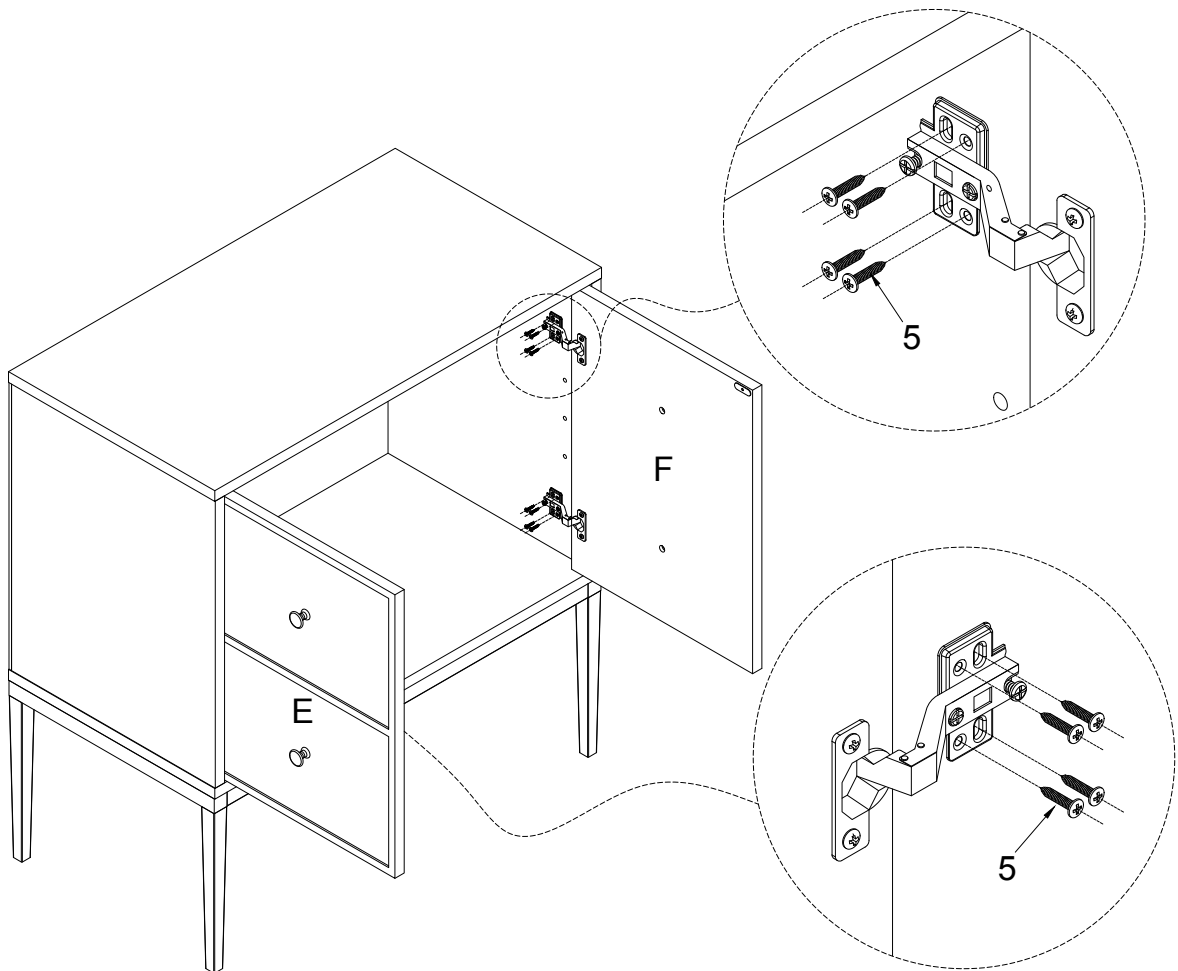
- Part 10  18 PCS

# STEP 7



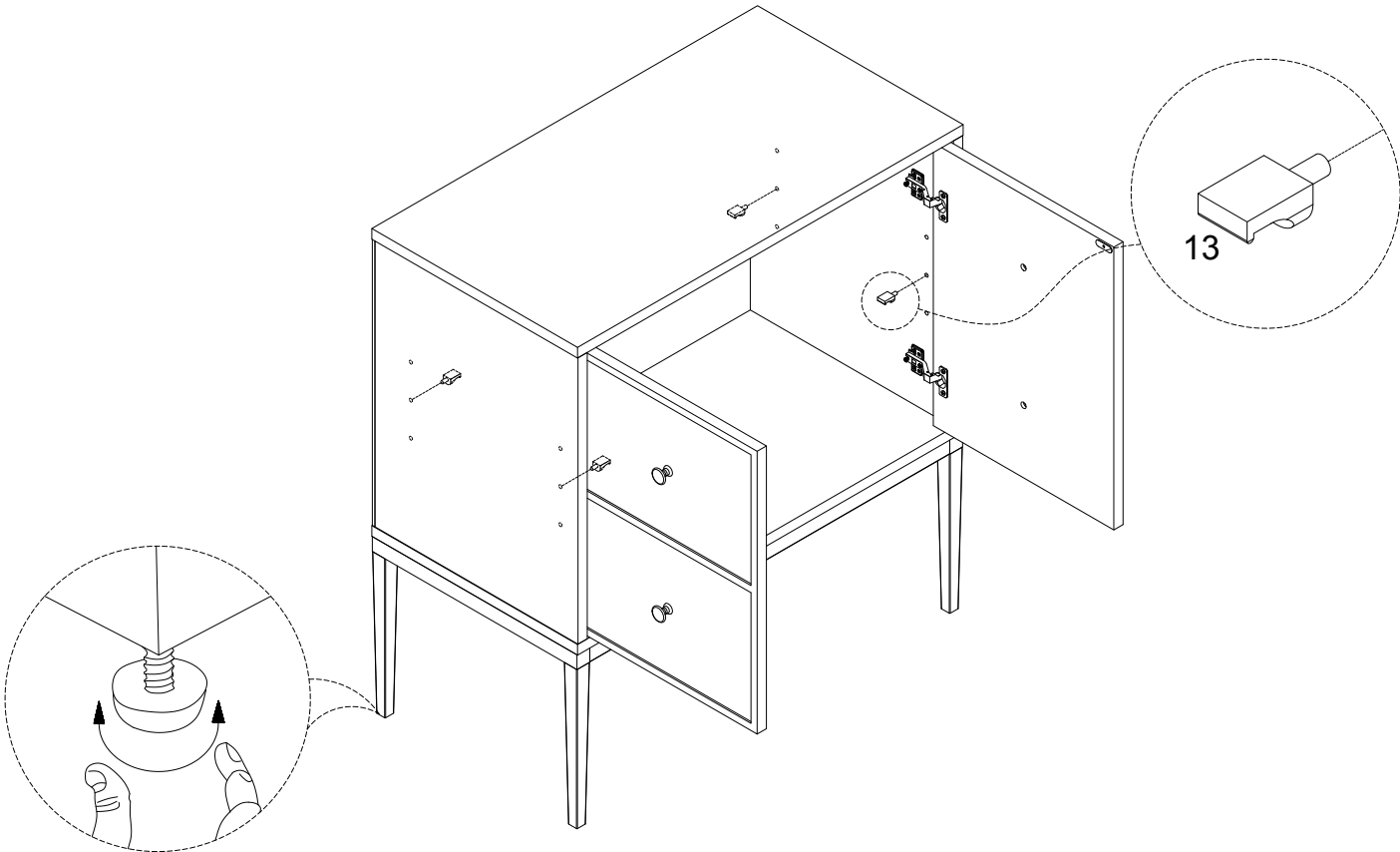
Part 12  10 PCS

# STEP 8



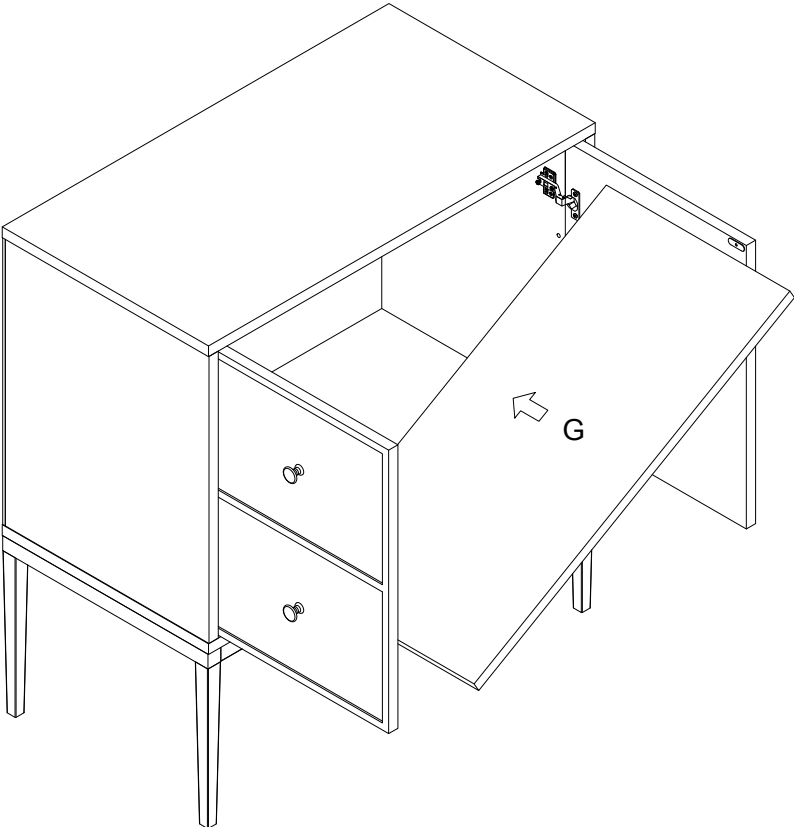
Part 5  16 PCS

STEP 9



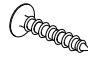
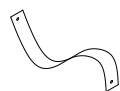



Part 13  4 PCS

STEP 10





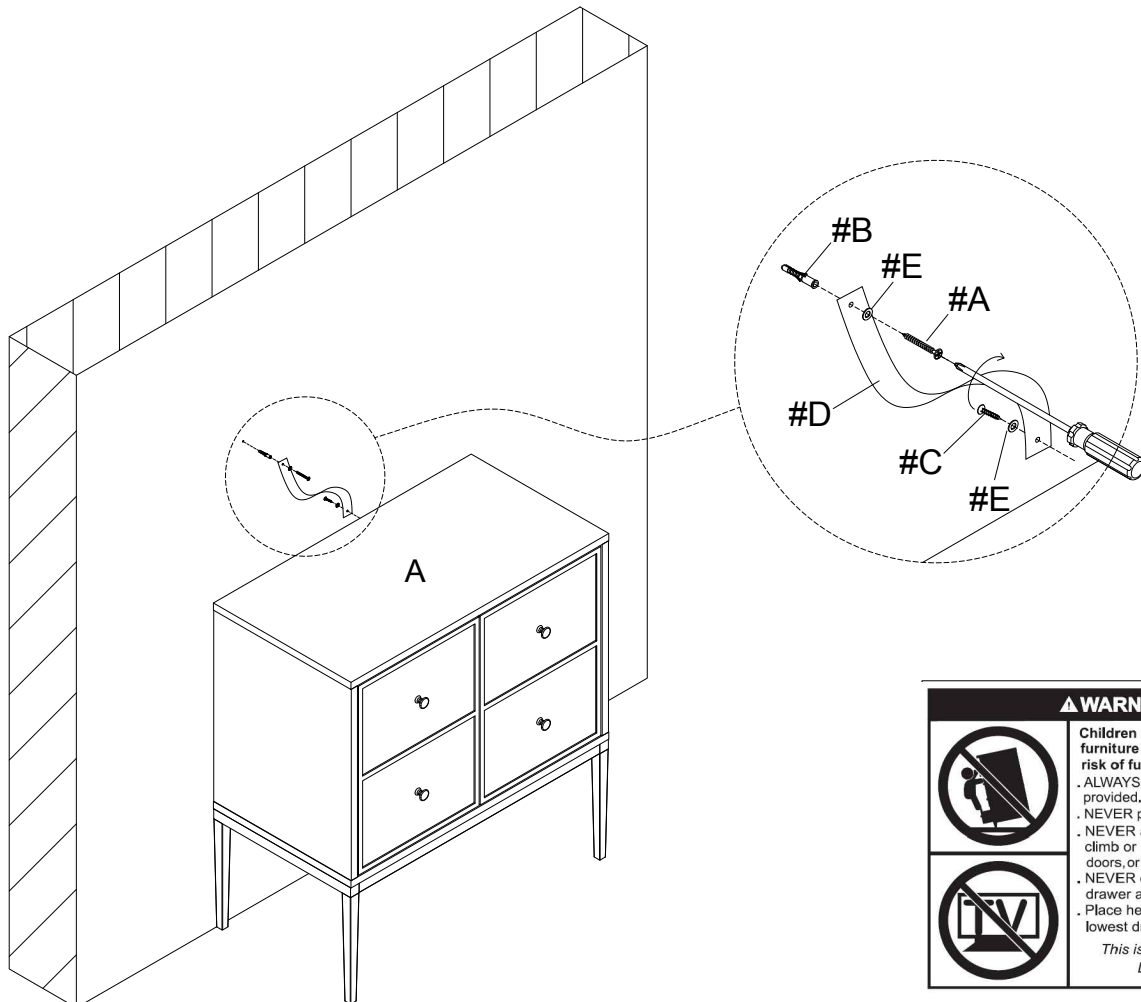
#A	#B	#C	#D	#E
 1-1/2"xØ4xD8	 Wall Anchor 1 PC	 5/8"xØ3xD8	 Safety Wall Strap 1 PC	 Flat Washer 2 PCS
Long Screw 1 PC	Wall Anchor 1 PC	Short Screw 1 PC	Safety Wall Strap 1 PC	Flat Washer 2 PCS

## SAFETY WALL STRAP INSTALLATION

Note: It is highly recommended to install this safety strap kit to prevent tipping, damage and/or injury.

1. Insert short screw (C) through flat washer (E) and safety wall strap (D) and attach to top panel (part A) using phillips head screwdriver.
2. Drill a 11/32" hole where you want to secure the unit. The drilled hole will be at the same height as the hole in top panel (part A) where safety wall strap (D) is attached. Tap wall anchor (B) into the hole.
3. Insert long screw (A) through flat washer (E) and safety wall strap (D) into wall anchor (B) using phillips head screwdriver.

Note: This item is not intended for clothing storage use.

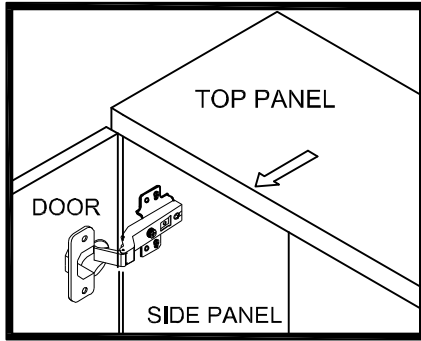


▲ WARNING	
	Children have died from furniture tipover. To reduce the risk of furniture tipover:
	<ul style="list-style-type: none"> <li>• ALWAYS install tipover restraint provided.</li> <li>• NEVER put a TV on this product.</li> <li>• NEVER allow children to stand, climb or hang on drawers, doors, or shelves.</li> <li>• NEVER open more than one drawer at a time.</li> <li>• Place heaviest items in the lowest drawers.</li> </ul>
<p><i>This is a permanent label. Do not remove!</i></p>	

# ADJUST YOUR DOORS TO MAKE THE GAPS MORE EVEN (OPTIONAL).

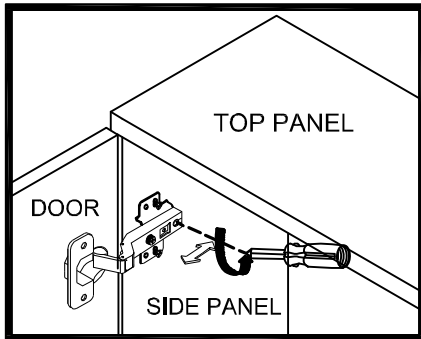
## STEP 1

Open the door



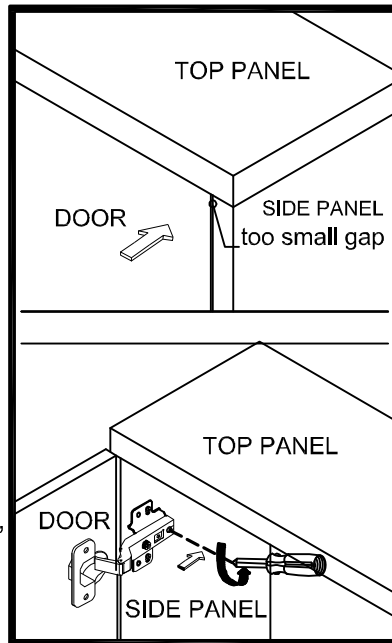
## STEP 2

Adjust the gap between door panel and side panel



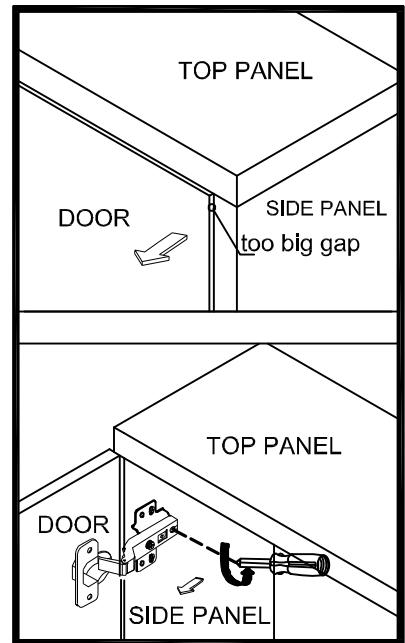
Loosen the screw indicated a little, adjust the hinge to right position (see step 2a & 2b), then tighten the screw.

### STEP 2a MOVE DOOR IN



Push the hinge back a little.

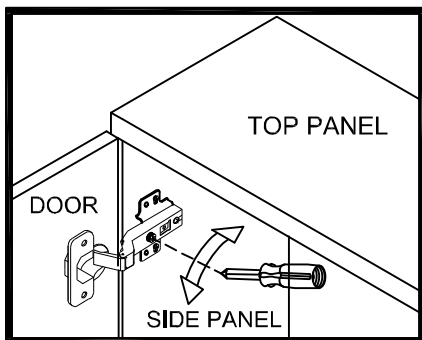
### STEP 2b MOVE DOOR OUT



Pull the hinge forward a little.

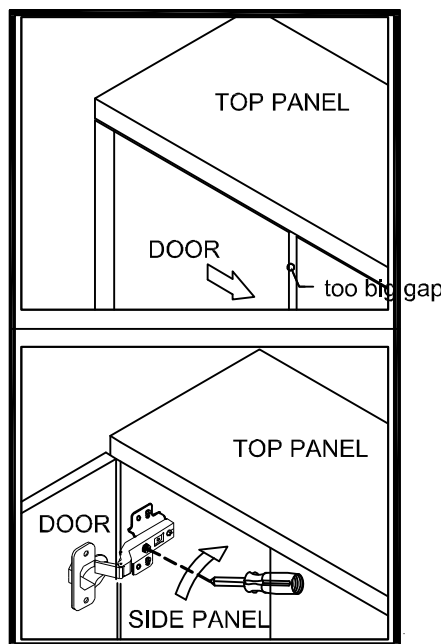
## STEP 3

To adjust the gap between two door



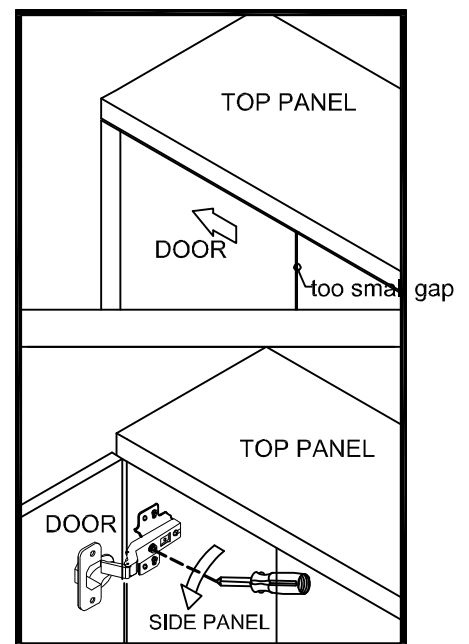
Loosen or tighten the screw indicated a little to adjust the gap between doors panels (see step 3a & step 3b)

### STEP 3a MOVE DOOR RIGHT



Turn the screw clockwise a little as shown to make the gap small.

### STEP 3b MOVE DOOR LEFT



Turn the screw counterclockwise a little as shown to make the gap big.