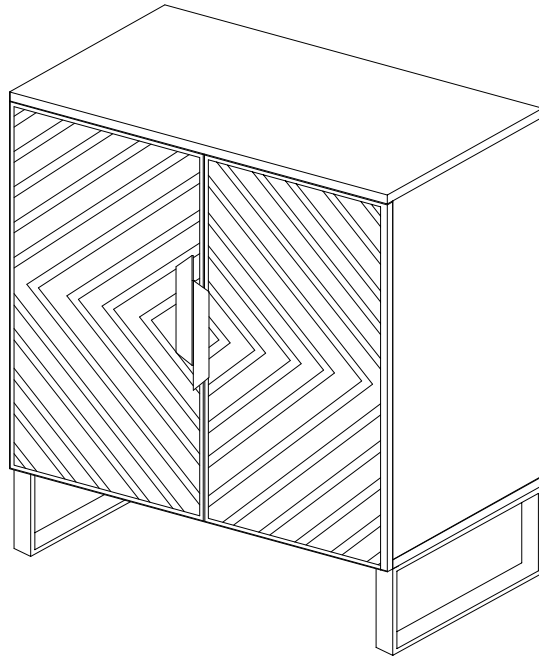
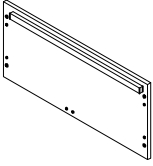
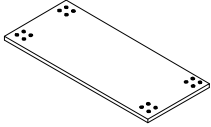
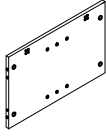
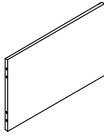
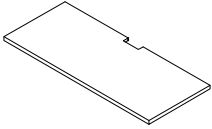
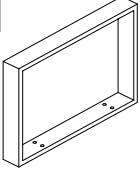
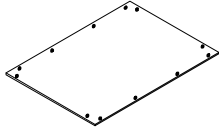
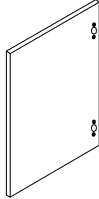
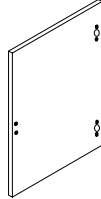
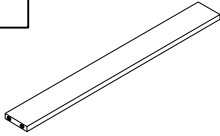





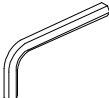
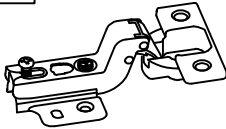
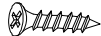

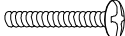
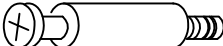


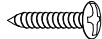


Cabinet F00072



PART LIST

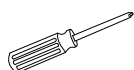
A 	B 	C 	D 	E 
Top Panel 1 PC	Bottom Panel 1 PC	Left Side Panel 1 PC	Right Side Panel 1 PC	Adjustable Shelf 1 PC
F 	G 	H 	I 	J 
Base Frame 2 PCS	Back Panel 2 PCS	Left Door Panel 1 PC	Right Door Panel 1 PC	Back Connecting Rail 1 PC

HARDWARE LIST

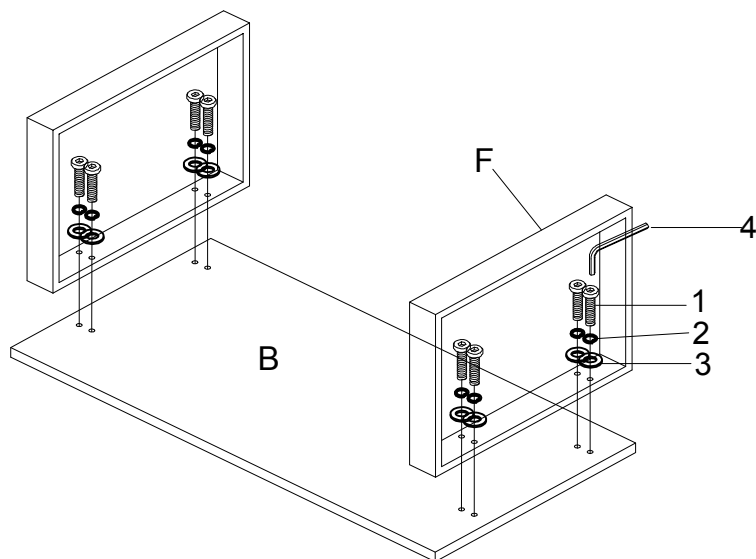
<p>1</p>  <p>M6 x 35</p>	<p>2</p>  <p>M6</p>	<p>3</p>  <p>M6</p>	<p>4</p>  <p>M4</p>	<p>5</p> 
<p>Allen Bolt 9pcs (Extra 1)</p>	<p>Spring Washer 9cs (Extra 1)</p>	<p>Flat Washer 9pcs (Extra 1)</p>	<p>Allen Wrench 1pc</p>	<p>Door Hinge 4pcs</p>
<p>6</p>  <p>Ø3.5 x 14</p>	<p>7</p> 	<p>8</p>  <p>M4 x 22</p>	<p>9</p>  <p>M4 x 40</p>	<p>10</p> 
<p>Hinge Screw 25pcs (Extra 1)</p>	<p>Handle 2pcs</p>	<p>Handle Screw 5pcs (Extra 1)</p>	<p>Cam Bolt 9pcs (Extra 1)</p>	<p>Cam Lock 9pcs (Extra 1)</p>
<p>11</p>  <p>M8 x 40</p>	<p>12</p>  <p>Ø4 x 25</p>	<p>13</p>  <p>Ø9 x 18</p>	<p>14</p> 	
<p>Wood Dowel 13pcs (Extra 1)</p>	<p>Back Panel Screw 19pcs (Extra 1)</p>	<p>Shelf Holder 5pcs (Extra 1)</p>	<p>Anti Tipping Kit 1 set</p>	





ADDITIONAL TOOLS (Not Provided)

Note : It is not recommended to use power tools during assembly .
Phillips Head Screwdriver

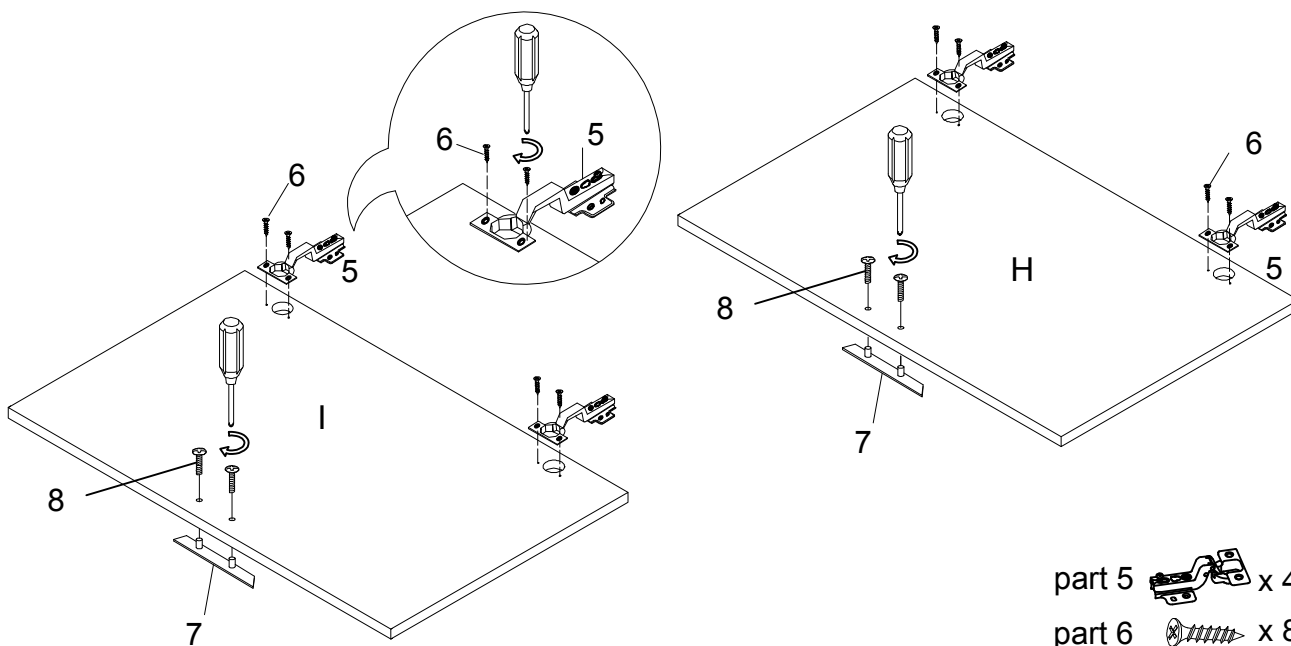





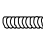
Step 1. Lay bottom panel (part B) upside down on a soft surface , such as carpet , as shown below . Attach Base Frames (part F) to bottom panel (part B) using Allen Bolts (part 1), Spring Washers (part 2), Flat Washers (part 3) and Allen Wrench (part 4).



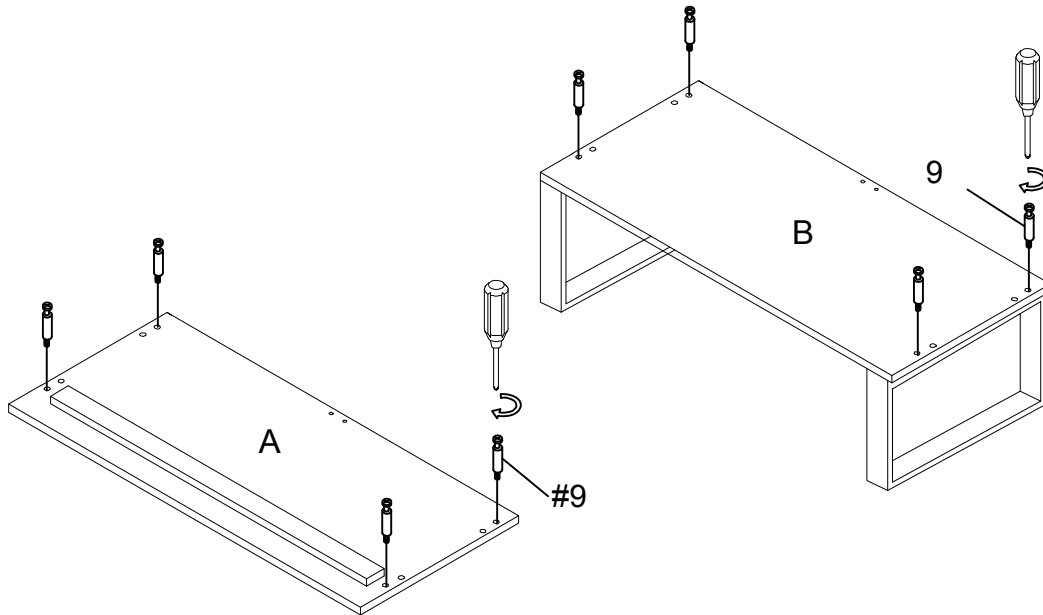
- part 1  x 8 pcs
- part 2  x 8 pcs
- part 3  x 8 pcs
- part 4  x 1 pc

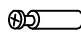
Step 2. Attach door hinges (part 5) to left door panel (part H) and right door panel (part I) using Hinge Screws (part 6) and Phillips head screwdriver (Not Provided). Attach handles (part 7) to left door panel (part H) and right door panel (part I) using Handle Screws (part 8) and Phillips head screwdriver .



- part 5  x 4 pcs
- part 6  x 8 pcs
- part 7  x 2 pcs
- part 8  x 4 pcs

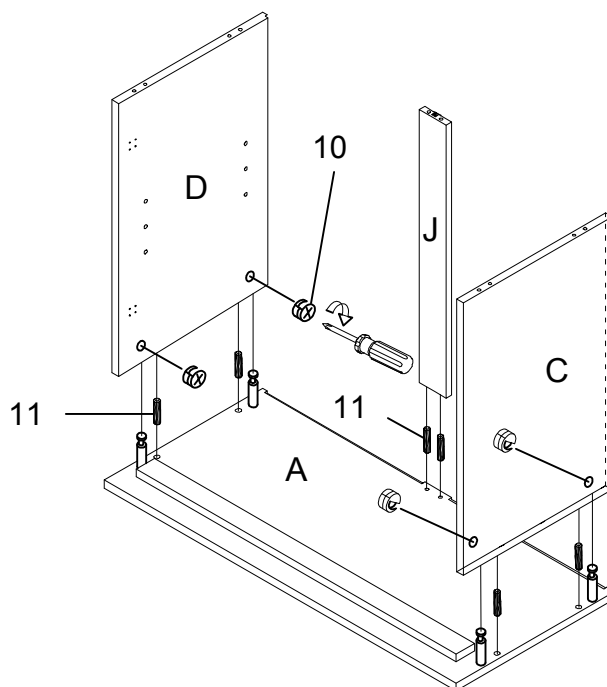
Step 3. Attach Cam Bolts (part 9) to Top Panel (part A) and Bottom Panel (part B) using Phillips head screwdriver .



part 9  x 8 pcs

Step 4. Attach left side panel (part C) and right side panel (part D) to top panel (part A) using Wood Dowels (part 11). Attach Back Connecting Rail (part J) to top panel (part A) using wood dowels (part 11) and secure Cam Locks (part 10) using Phillips head screwdriver .

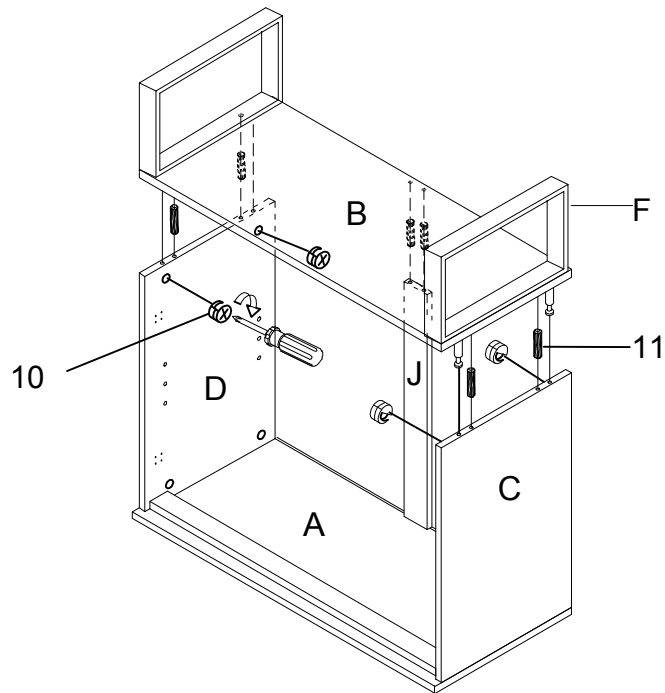
Note : Wood dowels (part 11) are intended for alignment . Additional clearance between wood dowel (part 11) and the pre-drilled hole is intentional for ease of assembly .



part 10  x 4 pcs

part 11  x 6 pcs

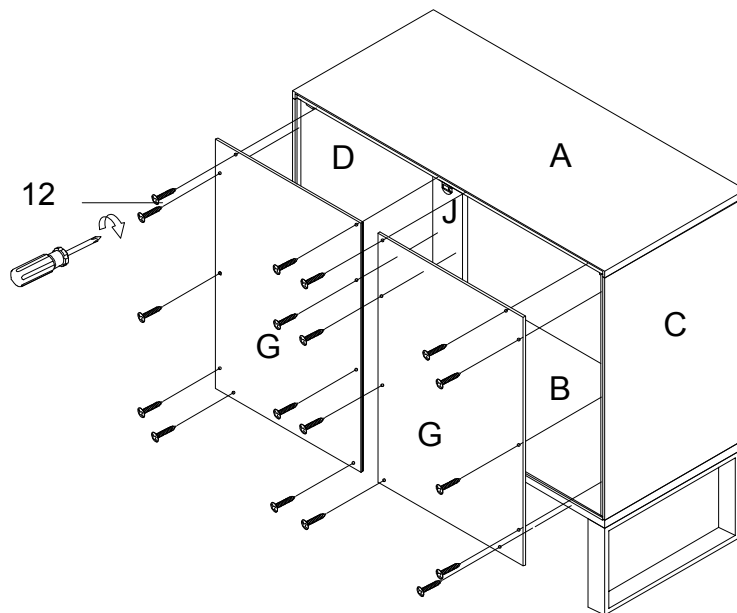
Step 5. Attach the assembled unit (parts B & F) to assembled unit (parts A , C , D & J) using wood dowels (part 11) and secure Cam Locks(part 10) with Phillips head screwdriver .



part 10  x 4 pcs

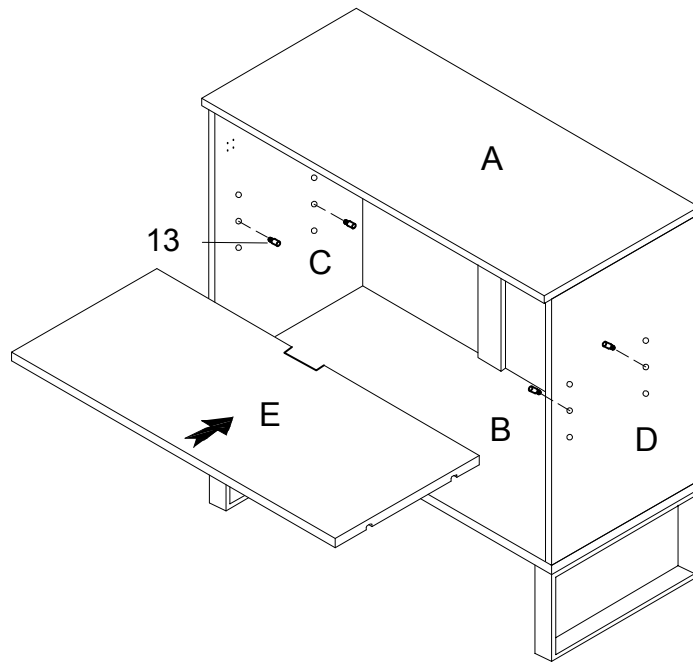
part 11  x 6 pcs

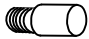
Step 6. Carefully turn the unit upright . Attach back panels (part G) to assembled unit (parts A , B , C , D&J) using Back Panel Screws (part 12) and Phillips head screwdriver .



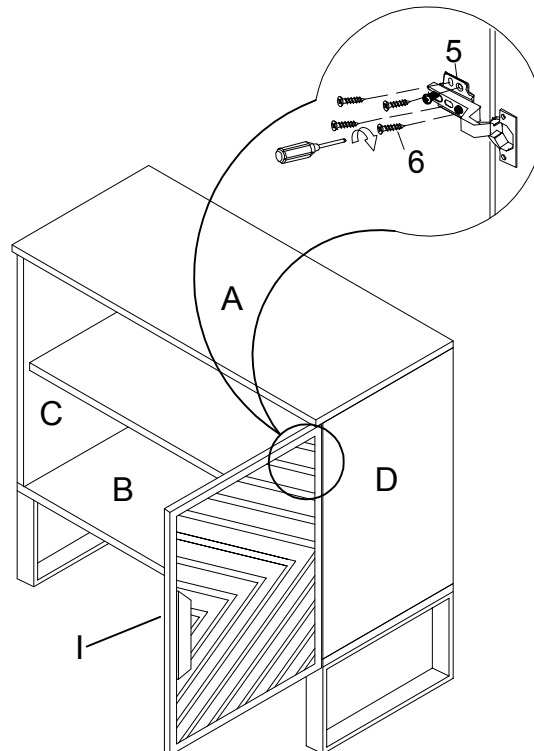
part 12  x 18 pcs

Step 7. Insert shelf holders (part 13) into the pre-drilled position on left side panel (part C) and right side panel (part D). Slide adjustable shelf (part E) into place until secured onto shelf holders(part 13).



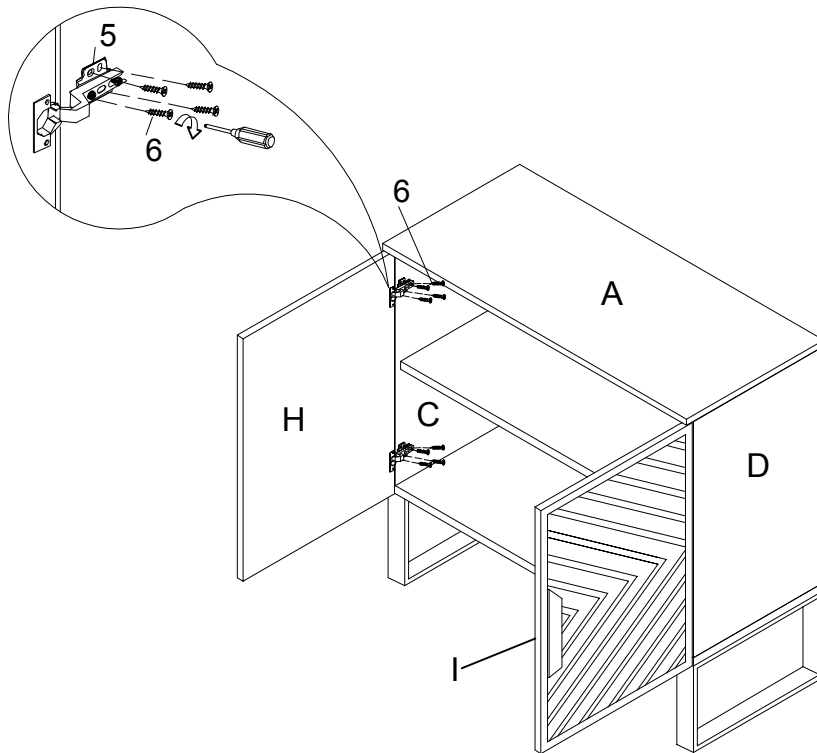
part 13  x 4 pcs

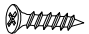
Step 8. Attach left door panel (part I) to left side panel (part D) using the previously installed door hinges (part 5), Hinge Screws (part 6) and Phillips head screwdriver .

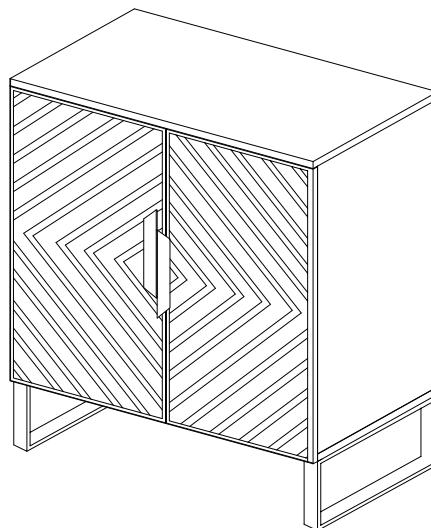


part 6  x 8 pcs

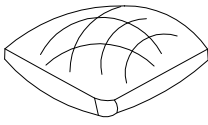



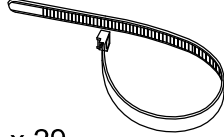
Step 9. Attach right door panel (part H) to right side panel (part C) using the previously installed door hinges (part 5), Hinge Screws (part 6) and Phillips head screwdriver .



part 6  x 8 pcs



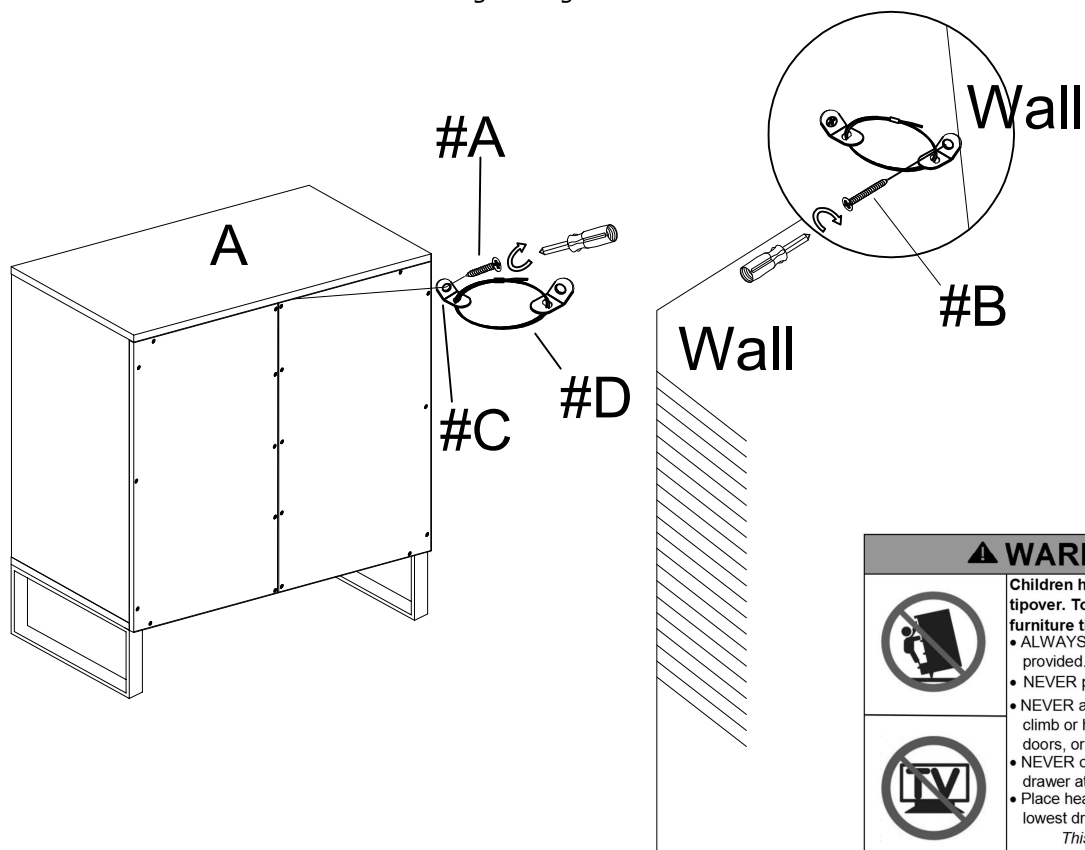
ANTI TIPPING KIT INSTALLATION INSTRUCTIONS

14	#A	#B	#C	#D
	 Ø4 x 19	 Ø4 x 50	 Ø4	 5 x 29
Anti Tipping Kit 1 set	Short Screw 1pc	Long Screw 1pc	Corner Brace 2pcs	Restraint Strap 1pc

Note: It is highly recommended to install this safety strap kit to prevent tipping, damage and/or injury.

1. Attach one Corner Brace (Part#C) to the back side of top panel(part A) using the short screw(Part#A) then tighten short screw(part#A) through the smaller hole using Phillips head screwdriver .
2. Attach the other Corner Brace (Part#C) to the wall using a wall anchor(Not Provided) and long screw (Part#B) then tighten long screw(part#A) through the smaller hole using Phillips head screwdriver .
3. Place the furniture into position so both corner braces are vertically in line.
4. Lace the end of the restraint strap(Part#D) through the larger hole in each Corner Brace (Part#C). Bring both ends together and slide the flat end through the locking end and pull it through until all slack is removed.
5. Confirm that the restraint strap(Part#D) is securely laced and locked.

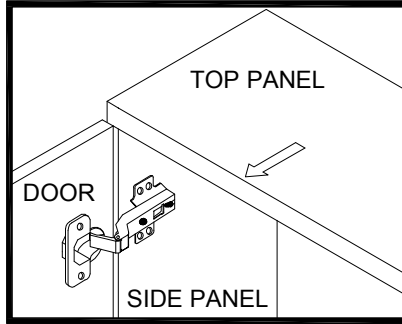
Note: This item is not intended for clothing storage use.



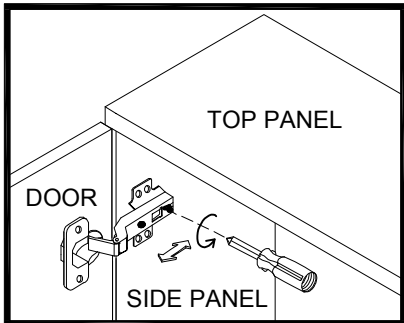
⚠ WARNING	
	<p>Children have died from furniture tipover. To reduce the risk of furniture tipover :</p> <ul style="list-style-type: none"> • ALWAYS install tipover restraint provided. • NEVER put a TV on this product. • NEVER allow children to stand, climb or hang on drawers, doors, or shelves. • NEVER open more than one drawer at a time. • Place heaviest items in the lowest drawers.
	<p style="text-align: right;"><i>This is a permanent label. Do not remove !</i></p>

ADJUST YOUR DOORS TO MAKE THE GAPS MORE EVEN (OPTIONAL).

STEP 1
Open the door

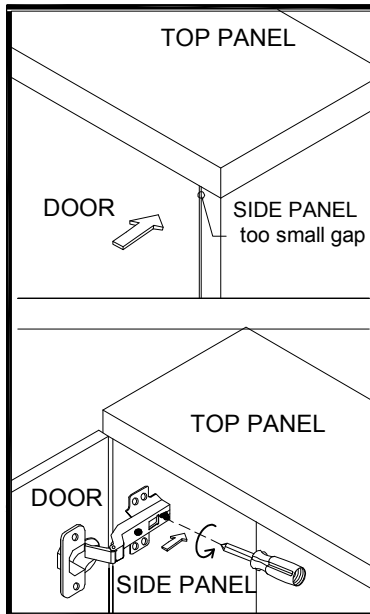


STEP2
Adjust the gap between door panel and side panel



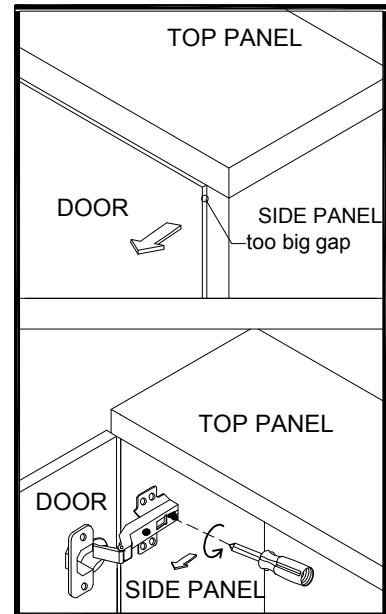
Loosen the screw indicated a little adjust the hinge to right position (see step 2a&2b), then tighten the screw .

STEP 2a MOVE DOOR IN



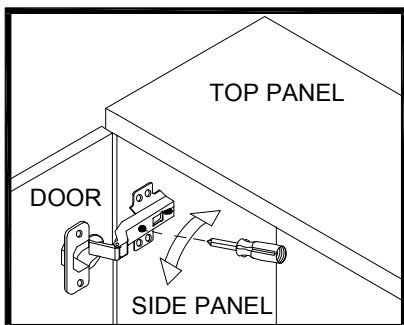
Push the hinge back a little .

STEP 2b MOVE DOOR OUT



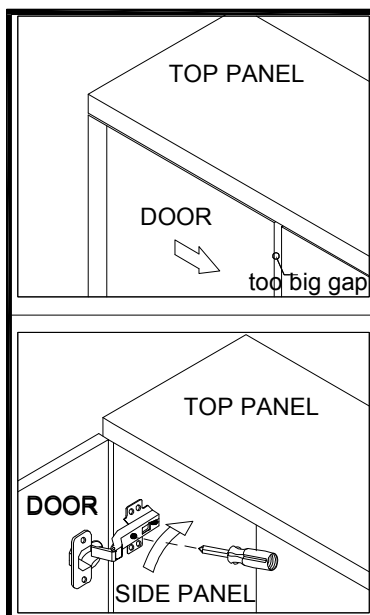
Pull the hinge forward a little .

STEP3
To adjust the gap between two door



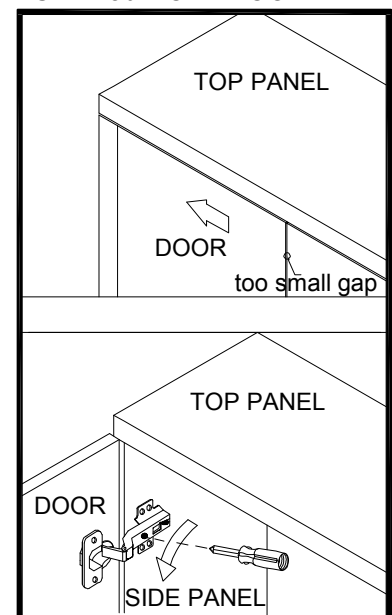
Loosen or tighten the screw indicated a little to adjust the gap between doors panels (see step 3a& step 3b)

STEP 3a MOVE DOOR RIGHT



Turn the screw clockwise a little as shown to narrow the gap.

STEP 3b MOVE DOOR LEFT



Turn the screw counterclockwise a little as shown to expand the gap.