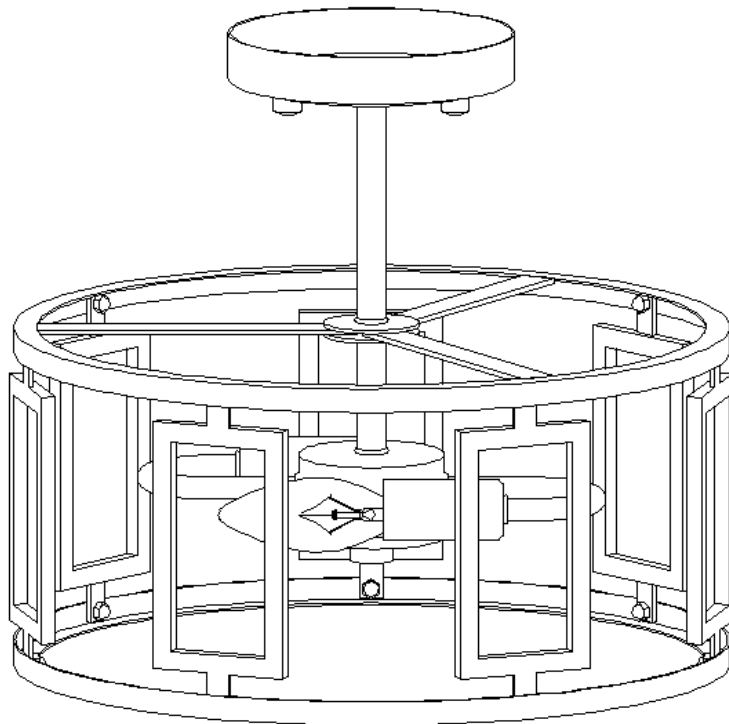


Item Number: A03985

WARNING (To reduce the risk of fire, electric shock, or injury to persons):






1. We suggest installation by a **licensed electrician**.
2. Please read the instruction carefully and save it as you may need it at later time.
3. Before you start, **NEVER** attempt any work without shutting off the electricity until the work is done. A). Go to the main fuse, or circuit breaker, box in your home. Place the main power switch in the "**OFF**" position. B). Place the wall switch in the "**OFF**" position.
4. Mounting surface should be clean, dry, flat, strong enough and 1/4" larger than the canopy on all side. Any gaps between the mounting surface and canopy exceeding 3/16" should be corrected as required.
5. Make sure that the ceiling or wall can stand the weight of the lamp before installation.
6. Make sure the voltage you are using is **120V**. The maximum wattage is **40W** per bulb.
7. Keep the lamp away from acidic and alkaline substances in case of damaging the surface of the lamp.
8. When replacing bulb, you should turn off or unplug the lamp and you must wait until it is cool as bulbs get hot quickly.
9. The safety instructions appearing in this manual are not meant to cover all possible conditions that may occur. It must be understood that common sense, caution and care must be used with any electrical products.

IMAGE FOR FINISHED PRODUCT:



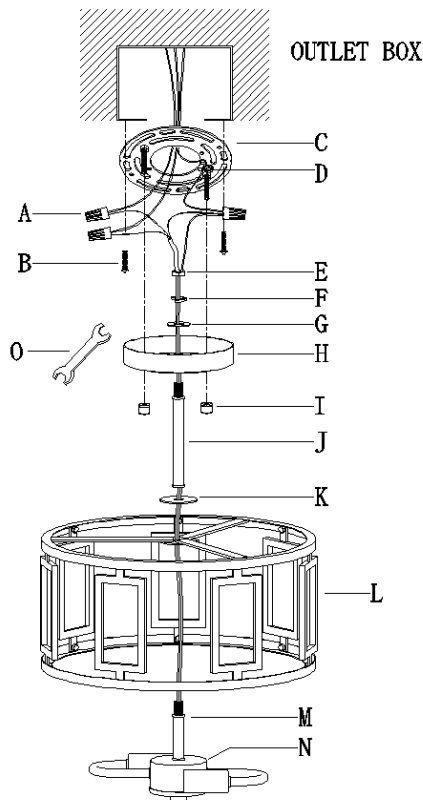
TOOLS REQUIRED (NOT INCLUDED):

Before doing assembly and installation please prepare the needed tools as below picture

				
Ladder	Phillips head, flat blade screwdriver	Electrical tape	Pliers	Wire cutter/Stripper

PARTS TYPE & QTY INCLUDING:

- (C) Mounting plate (1)
- (D) Green ground screw (1)
- (E) Hex nut (1)
- (F) Spring washer (1)
- (G) Flat washer (1)
- (H) Canopy (1)
- (I) Knob nut (2)
- (J) Stem (1)
- (K) Iron plate (1)
- (L) Iron frame (1)
- (M) Tube (1)
- (N) Fixture loop assembly (1)

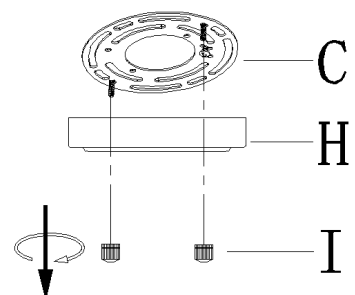


ACCESSORIES & QTY ENCLOSED:

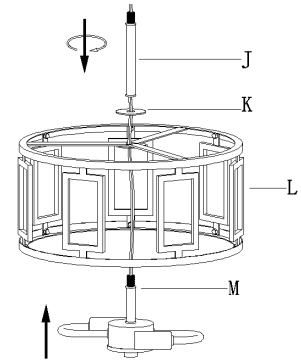
- (A) Plastic Wire Connectors (3)
- (B) Mounting screw (2)
- (O) Spanner (1)

ASSEMBLY & INSTALLATION INSTRUCTIONS:

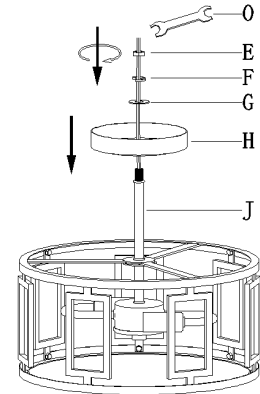
1. Carefully remove the fixture from the carton and check that all parts and accessories are included as shown in the above figure.
2. Unscrew the knob nuts (I) from canopy (H), then gently remove the mounting plate (C) from the canopy (H) and set aside for the following steps.



3. Pass the fixture wires through the iron frame (L) and iron plate (K), then screw the stem (J) to the top of the tube (M).



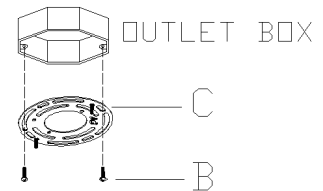
4. Remove the hexagon nut (E), spring washer (F) and flat washer (G) from the stem (J). Thread the canopy (H) onto the top of the stem (J) then pass the previously removed fittings through the fixture wires as shown in the illustration and tighten with the hexagon nut (E).



5. Turn off power

Before you start the installation, NEVER attempt any work without shutting off the electricity until the work is done. A) Go to the main fuse, or circuit breaker, box in your home. Place the main power switch in the "OFF" position. B) Place the wall switch in the "OFF" position.

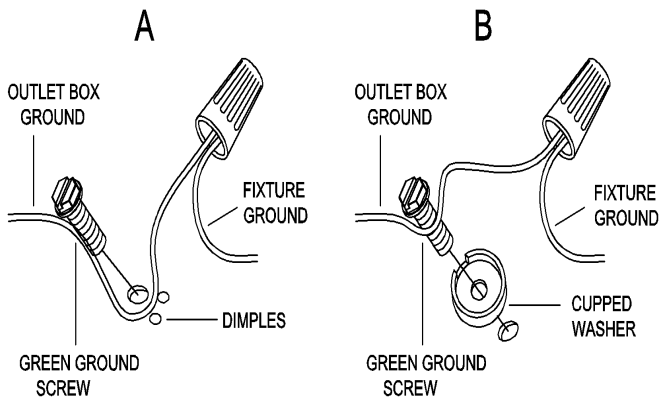
6. Carefully pass wires through the center of the mounting plate (C). Secure mounting plate (C) to outlet box with mounting screws (B). **NOTE: the side of mounting plate marked "GND" must face out.**



7. Make wire connections

Connect wires as below wires connecting shown. PLEASE NOTE THAT GROUND WIRE IS BARE COPPER WIRE, NEVER CONNECT OTHER WIRES TO GROUND WIRES.

Connect ground wires according to below chart



Connect wires according to below chart

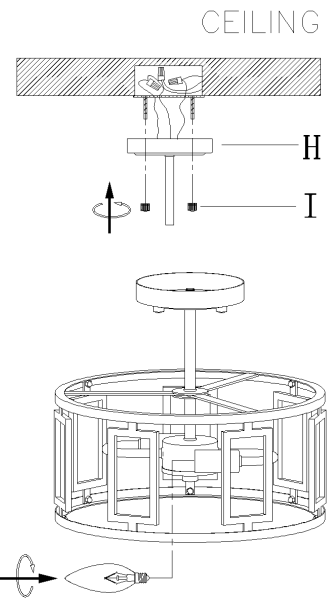
Connect Black or Red Supply Wire to:	Connect White Supply Wire to:
Black	White
*Parallel cord (round & smooth)	*Parallel cord (square & ridged)
Clear,Brown,Gold or Black without tracer	Clear,Brown,Gold or Black with tracer
Insulated wire (other than green) with copper conductor	Insulated wire (other than green) with silver conductor
<p>*Note: When parallel wires (SPT I & SPT II) are used. The neutral wire is square shaped or ridged and the other wire will be round in shape or smooth (see illus.)</p> <p style="text-align: center;">Neutral Wire</p>	

Twist plastic wire connector until wires are tightly joined together, and wrap each connector with approved electrical tape. Be sure that no wire strands are exposed and then carefully tuck all wires into the outlet box.

- Place the canopy (H) over the outlet box. Align the holes in the canopy (H) and the pre-assembled mounting screws, then secure the canopy (H) with the previously removed knob nuts (I) till snug.

Note: The canopy (E) should be snug against the ceiling with the knob nuts (I). If not, remove the canopy (H), adjust the length of the nipples on the mounting plate assembly (C) by unscrewing the pre-assembled hex nuts and then screwing the pre-assembled mounting screws in or out of the mounting plate until the secure length is achieved. Tighten the pre-assembled hex nuts and back to step 8.

- Install the bulb (not included) (Please do not exceed the maximum wattage recommended on the socket.)
- Check everything is already installed properly, then you could turn on the light. Enjoy!



CLEANING

To clean, wipe the fixture with a soft cloth. Do not use abrasive materials such as scouring pads or powders, steel wool or abrasive paper.

ORDERING PARTS

Keep this sheet for future reference, in case you need to order replacement parts. All parts for this fixture can be ordered from the place of purchase. Be sure to use exact wording from illustration when ordering parts.