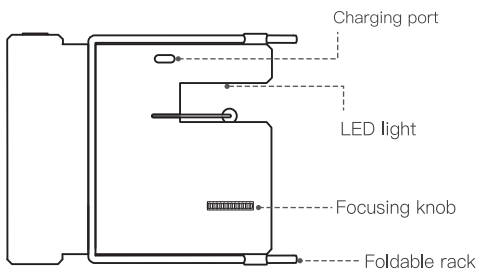
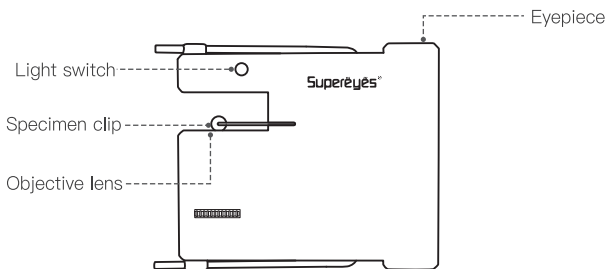


Portable Biology Smartphone Microscope S07



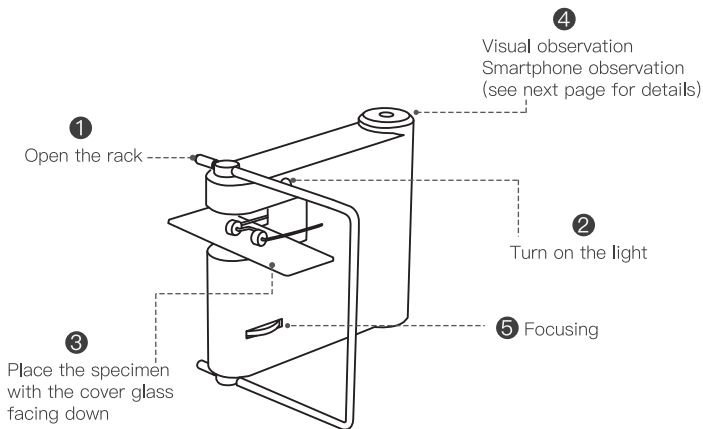
Product specification

Optical magnification: 1000x

How to use

1. Pull the foldable rack to make the microscope stand up.
2. Turn on the light.
3. Push the specimen cover glass downward (or just use the cover glass) between the platform and the specimen clip.

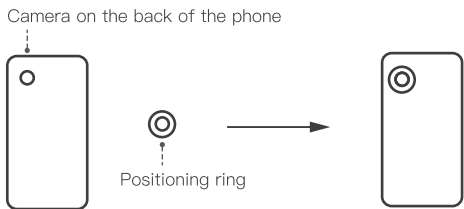
Note: The glass slide is thick and long, and the cover glass is thin and small.



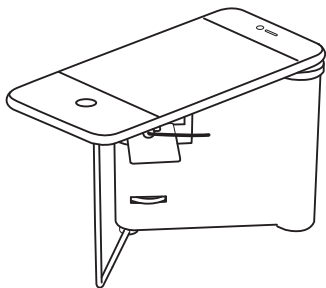
- Two observation methods:
 - Naked eye observation: the eye observes through the eyepiece;
 - Smartphone observation: observe through the eyepiece with a smartphone camera (see next page for details).
- Turn the focusing knob to make the image clear.
- Charging: connect the charger to the Type-C port and the red light will be on. When the charge is full, the light goes out.

How to use with smartphones

- Install the positioning ring.
 - Remove the adhesive protective film of the positioning ring (the adhesive can be used repeatedly),
 - and align the positioning ring with the lens of the smartphone.



- Put the positioning ring on the eyepiece and place the smartphone on rack.
Open the camera app on the phone.



Scan the QR code to watch a detailed video guide



Shenzhen Supereyes Co. Ltd
South Zonghe Building-3F,
Nankeng Second Industrial Park,
Bantian road, Longgang district
Shenzhen, China

Facebook: Supereyes
Twitter: Supereyes
Contact: help@supereyes.cc
Website: www.supereyes-store.com