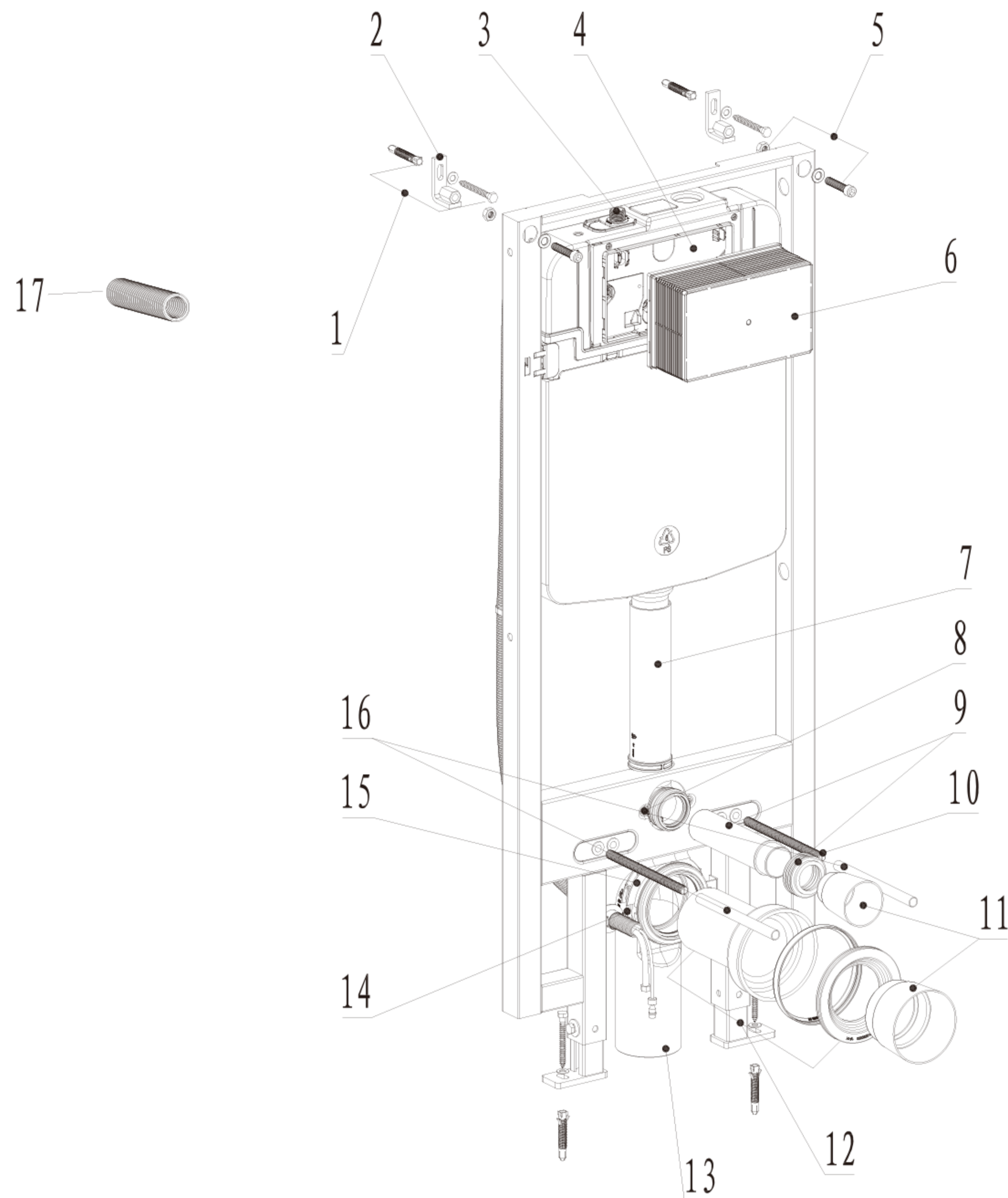


# EPLO®

## Concealed Cistern

## Installation Manual



### List of main installation accessories

No.	Description	Qty	Function
1	Expansion screw	4	Fixation of frame
2	Wall bracket	2	
3	Angle valve	1	Water inlet switch of fill valve
4	Cistern cover	1	To fix locking bracket
5	Socket head screw	2	To mount and lock metal frame to wall bracket
6	Plastic holder	1	To reserve space for installation of actuator at wall building
7	Connecting tube	1	Water inlet to ceramic bowl
8	Fixing screws	2	To fix connecting tube
9	Flushing piping	1	To supply water from cistern to toilet (Length to be adjusted according to wall thickness)
10	Connecting screw	2	To mount ceramic bowl
11	Dust-proof covers	2	To reserve space for flushing piping at wall building To reserve space for discharging piping at wall building
12	Connecting pipe	1	To discharge waste from toilet (Length to be adjusted according to wall thickness)
13	Draining syphon	1	To discharge waste from toilet
14	Mounting bracket	1	To mount draining syphon
15	Draining syphon holder	1	
16	Protective cover	2	To protect connecting screw at wall building
17	Corrugated tube (optional)	2	To protect electric wire and water pipe

**Important instruction:**

1. Please adhere to the following installation instructions. We shall not be responsible for failures and loss that are contributed to improper installation.
2. Please confirm the fixation location of Frame prior to installation and obtain the finished floor surface. Draw FFL on installation wall and follow it as baseline from ZERO (0) level.
3. The instructions have been composed based in the latest product specifications. We reserve the right to make modifications to the packaging and specifications without providing prior notification.

**NOTES:**

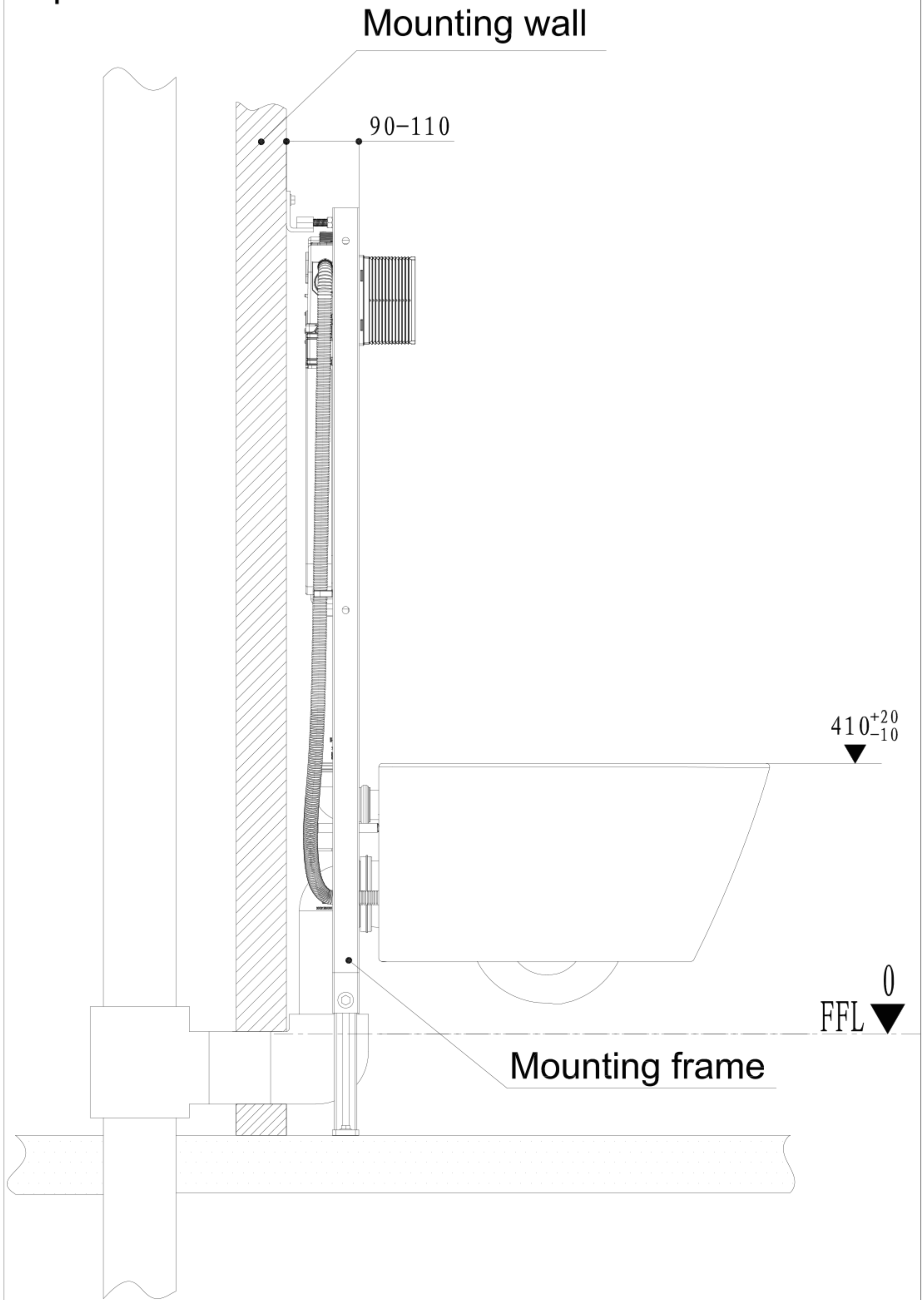
1. Mount before bricks building.
2. All size unit in MM.
3. Follow the material product, should there is an unconformity with drawing.

! FFL  $\nabla$  = Finished Floor.

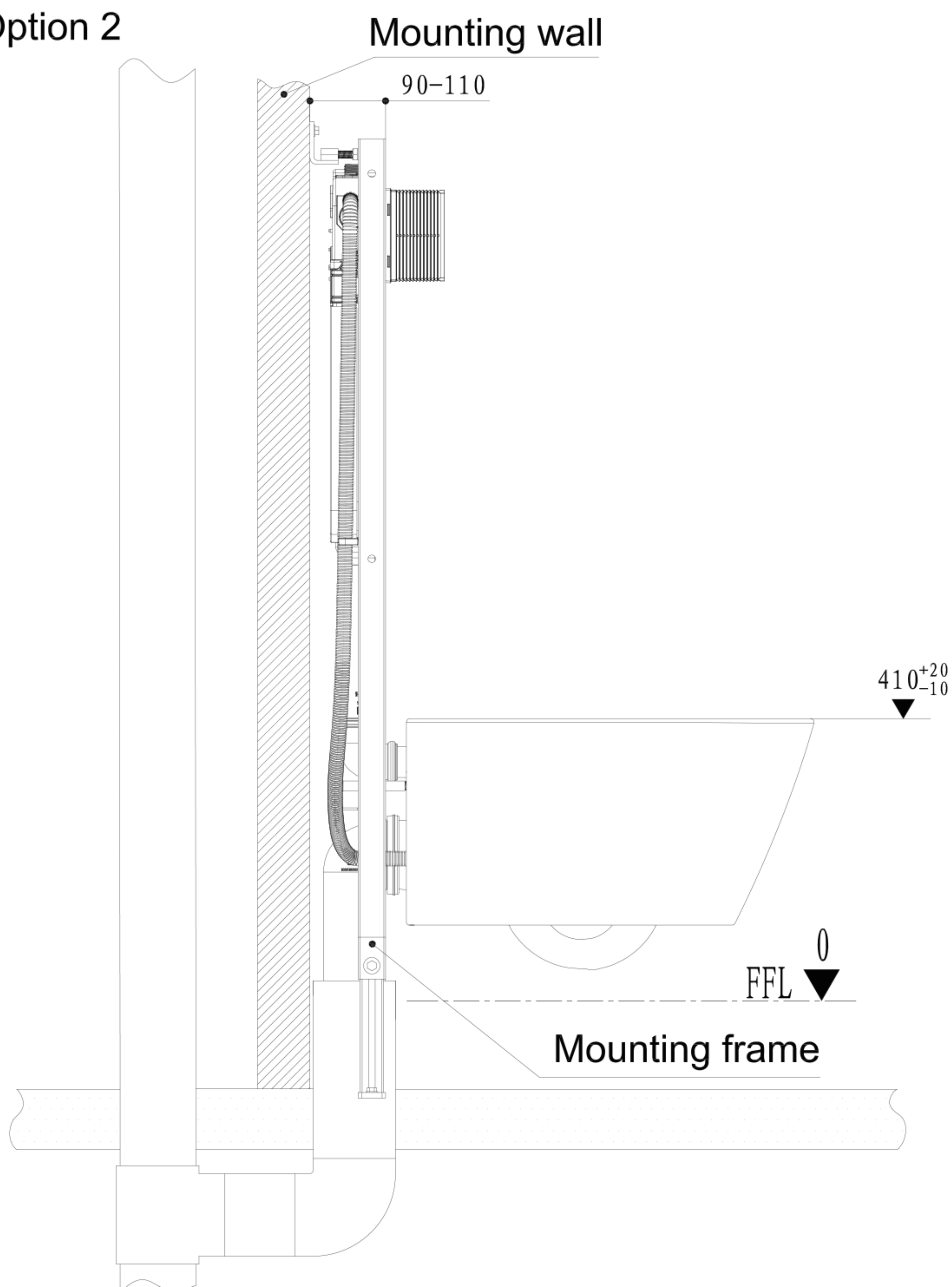
## 1. Drainage System Layout

Drawing 1 to 3 are three different installation systems for drain pipe. Customer should confirm whichever installation system according to drainage outlet position. If drainage outlet does not fall within the three systems, customer should follow one of three drainage system layout to correspond installation of our concealed cistern.

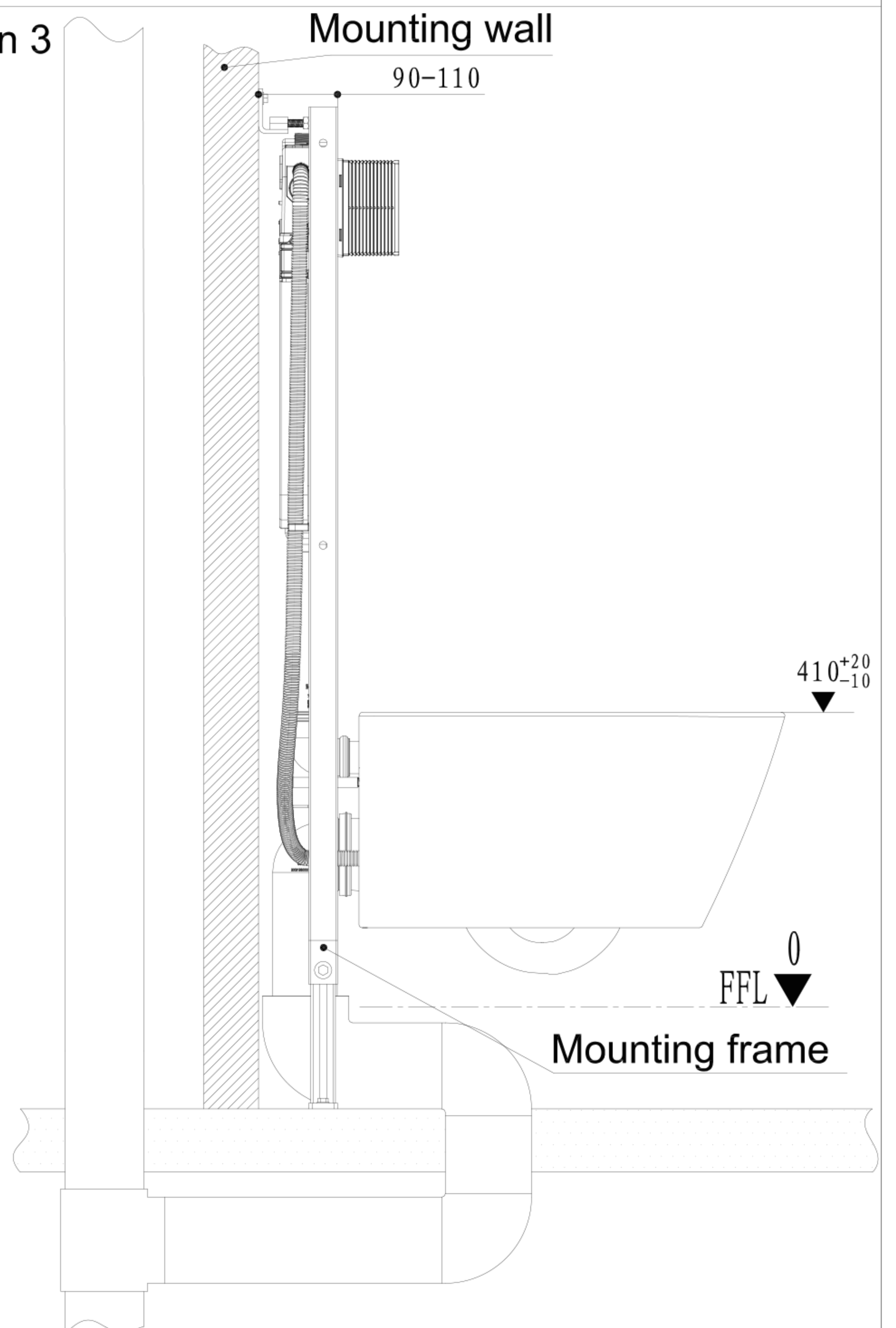
Option 1



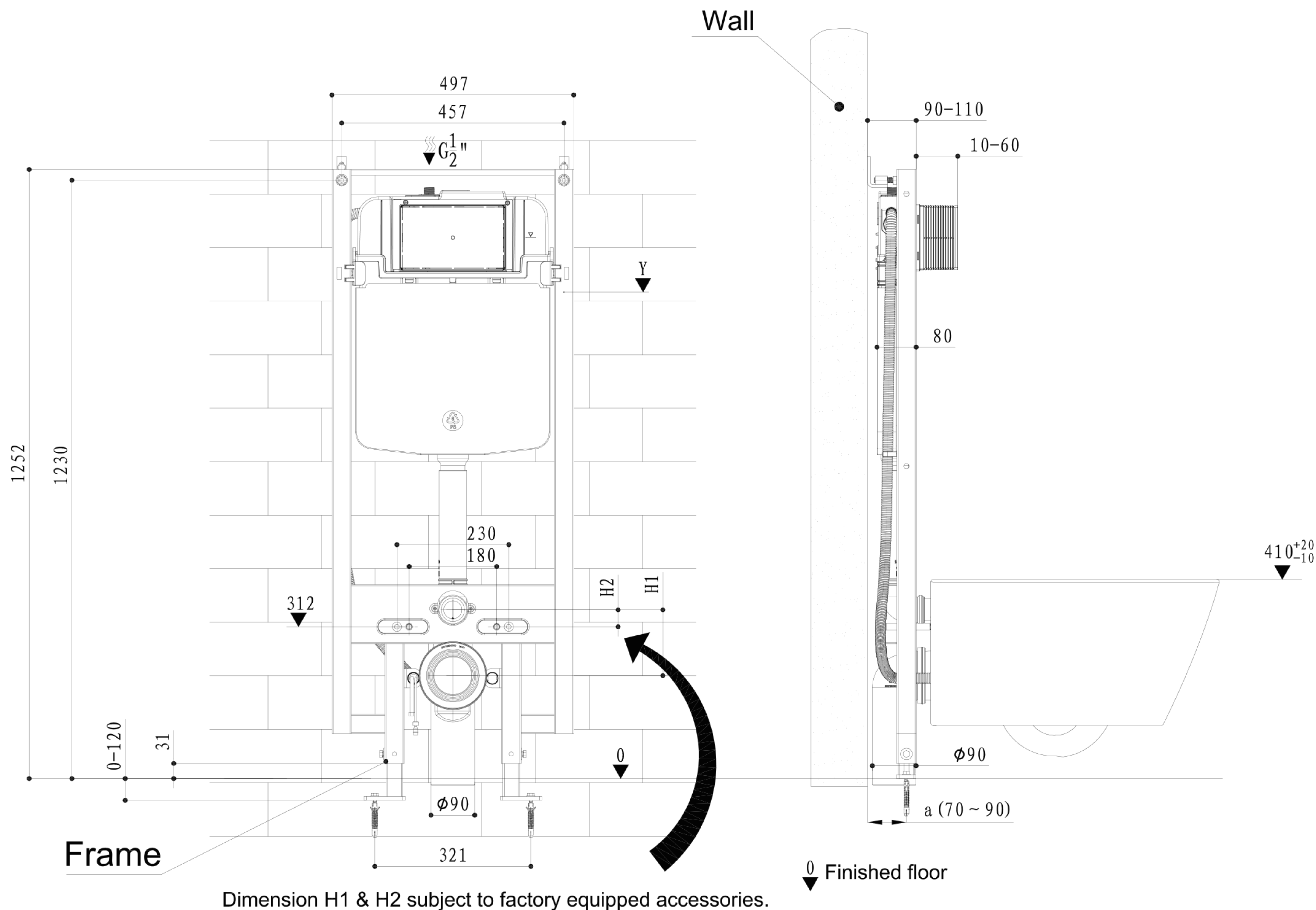
Option 2



Option 3

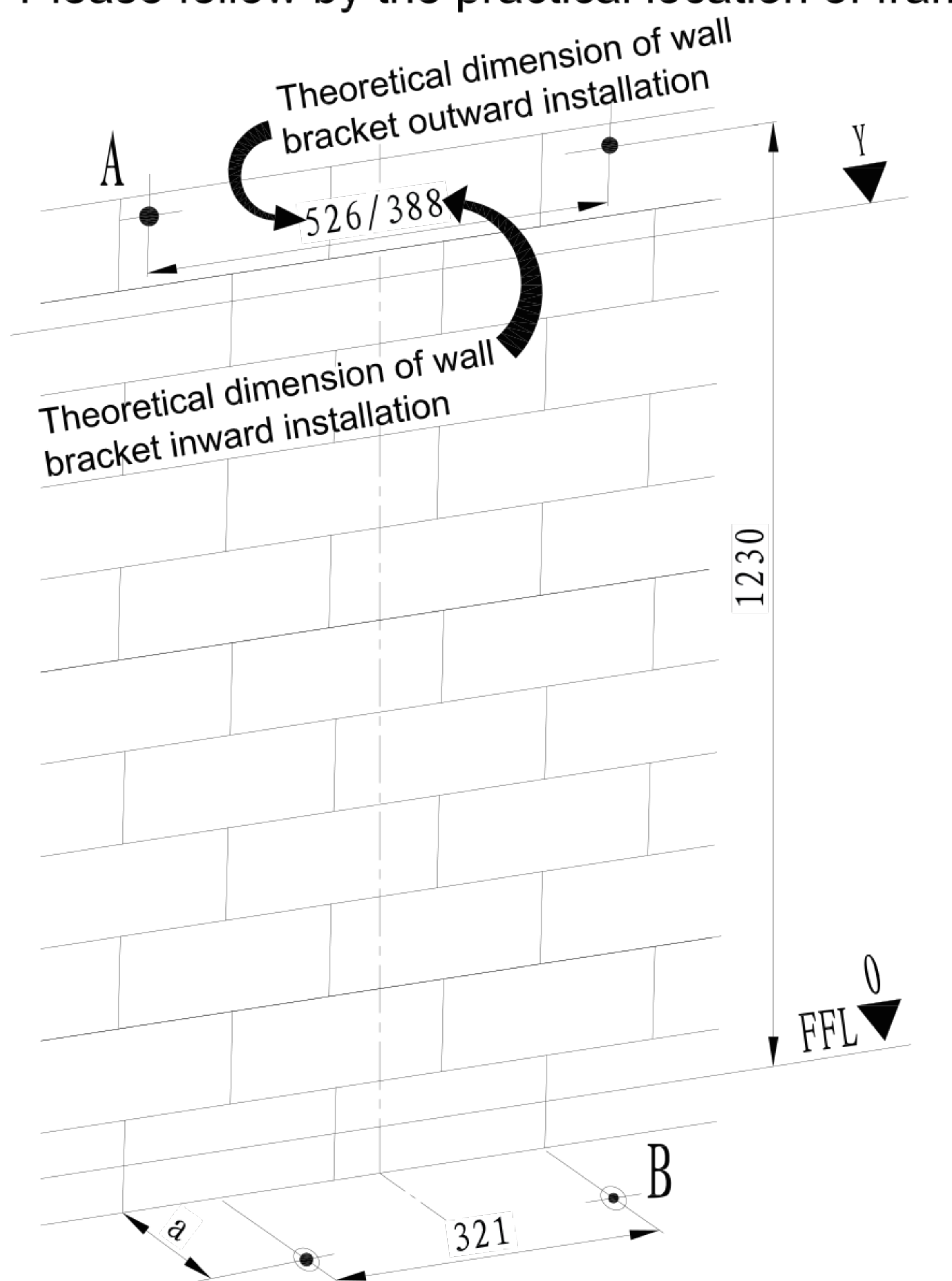


## 2. General dimension and water supply drawing

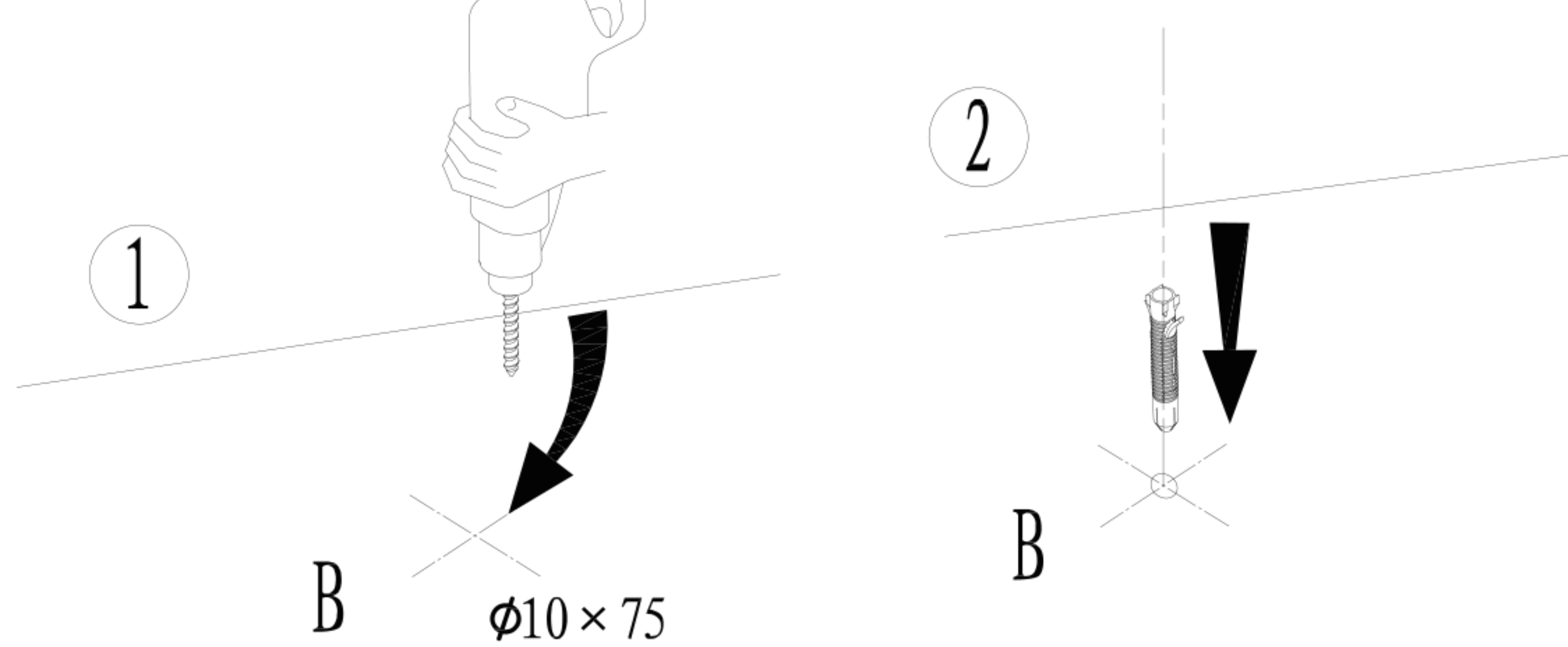
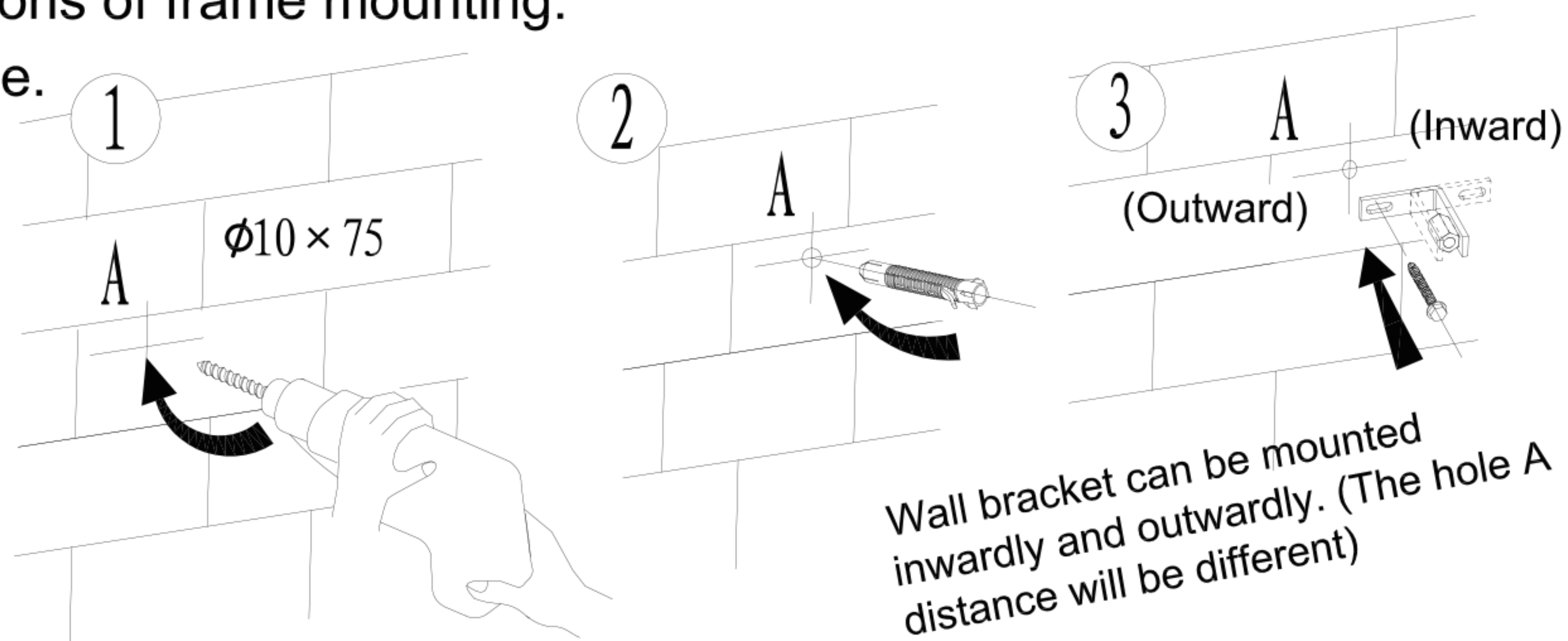


## 3. Drill the holes and insert the expansion bolt

☆ Note: Above drilling are theoretical dimensions of frame mounting.  
Please follow by the practical location of frame.

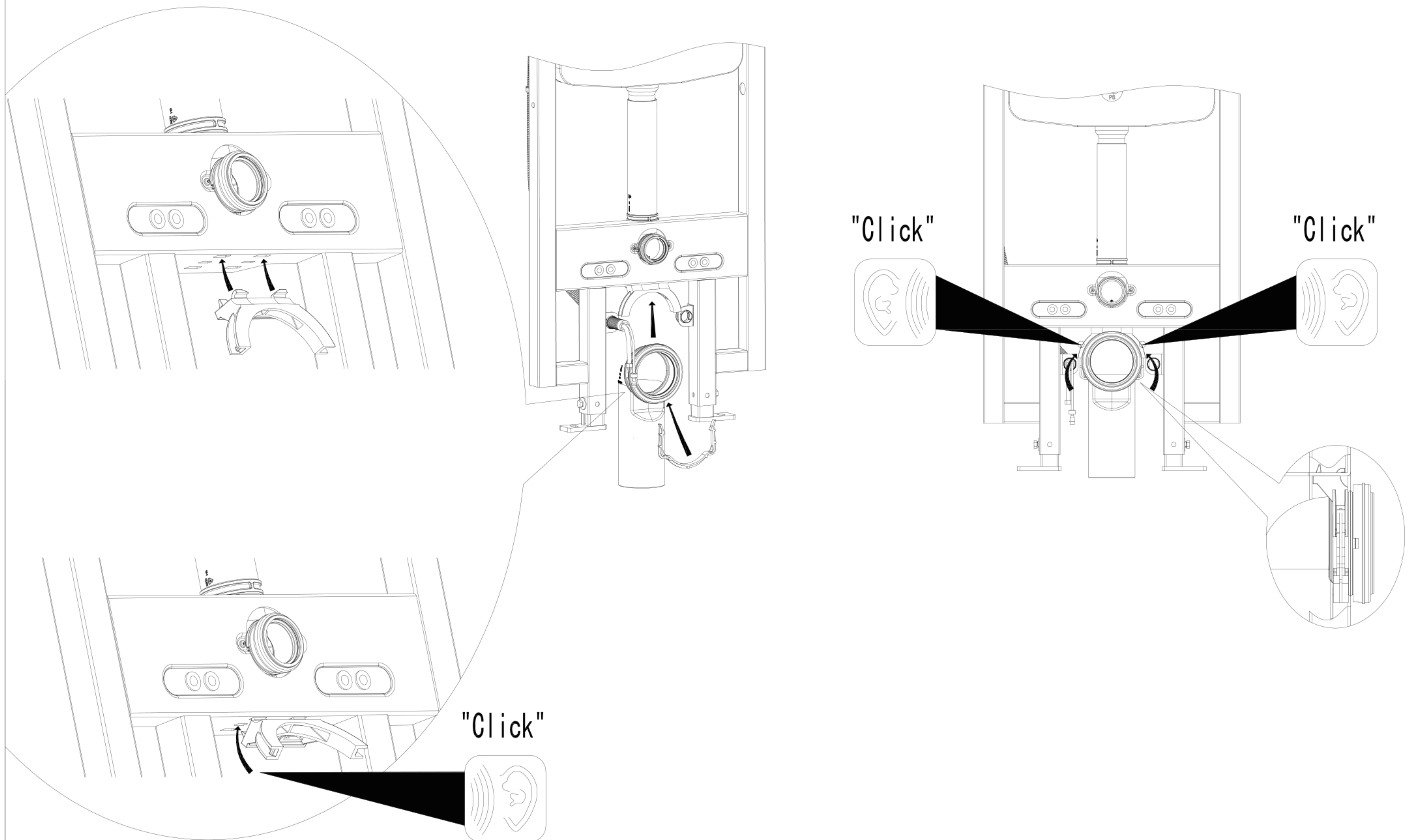


A dimension according to practical location of flushing pipe

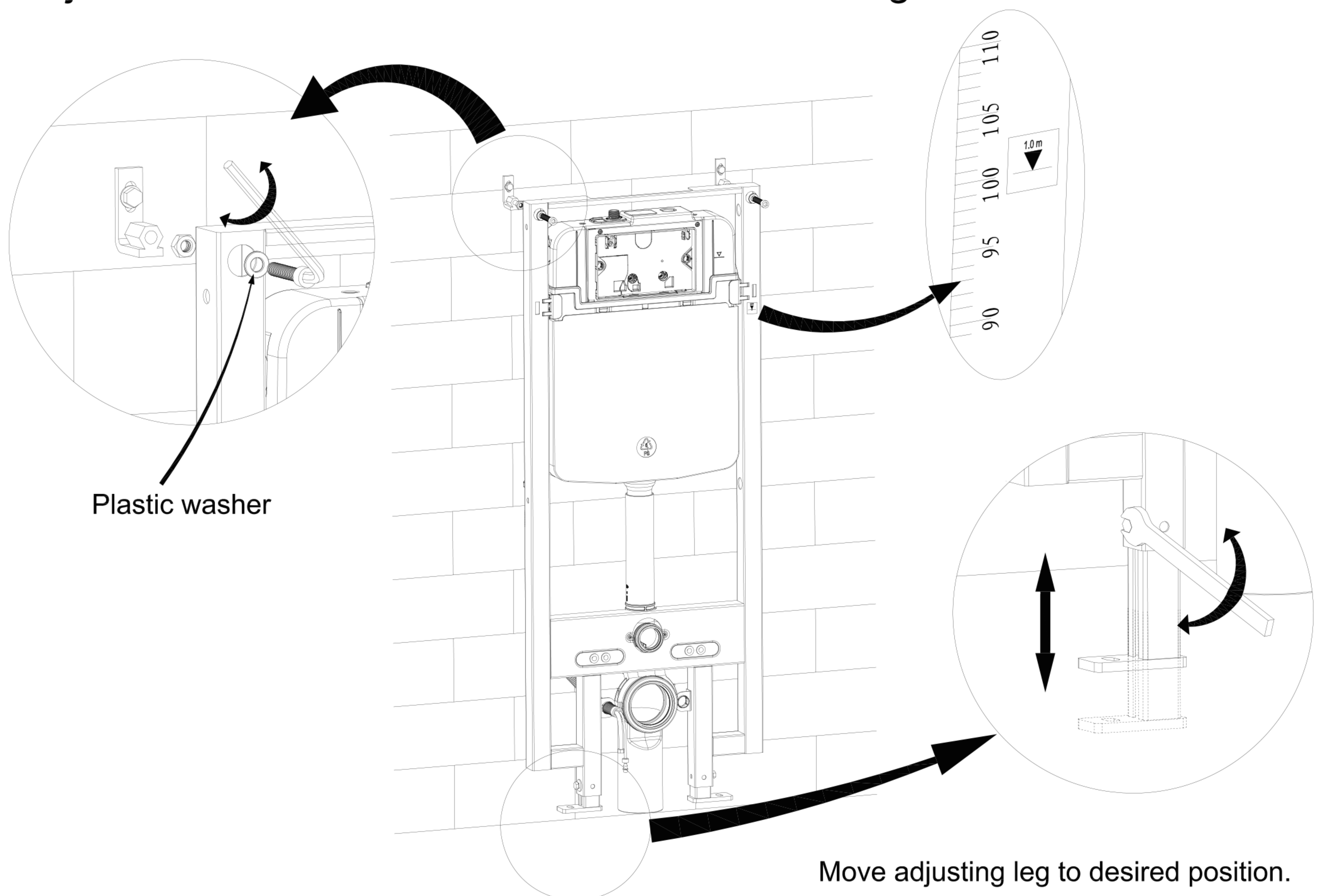


Drill a hole of  $\text{Ø}10 \times 75$  → insert expansion screw

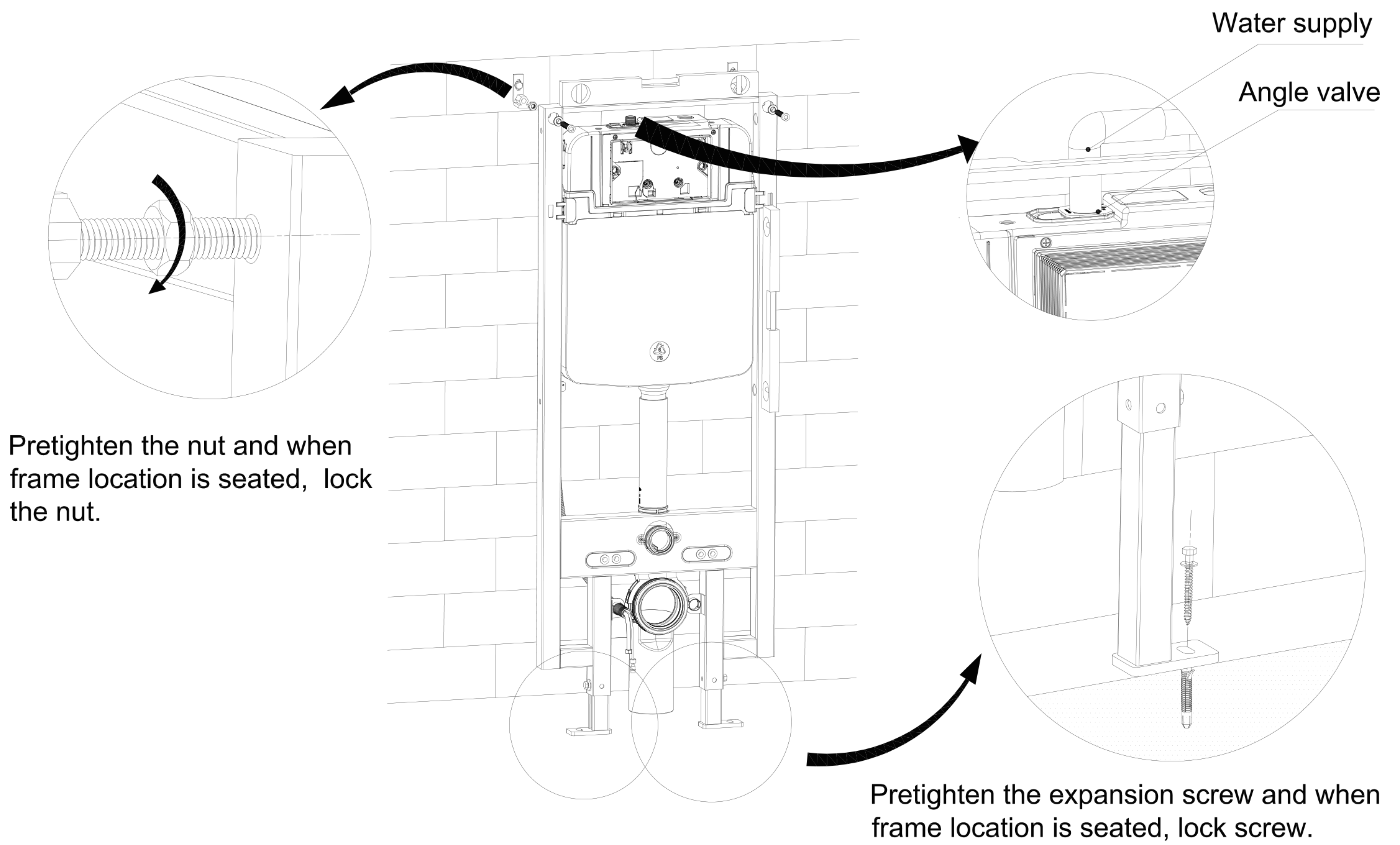
#### 4. Installation of draining siphon



#### 5. Adjustment of socket head screw and floor fixing accessories



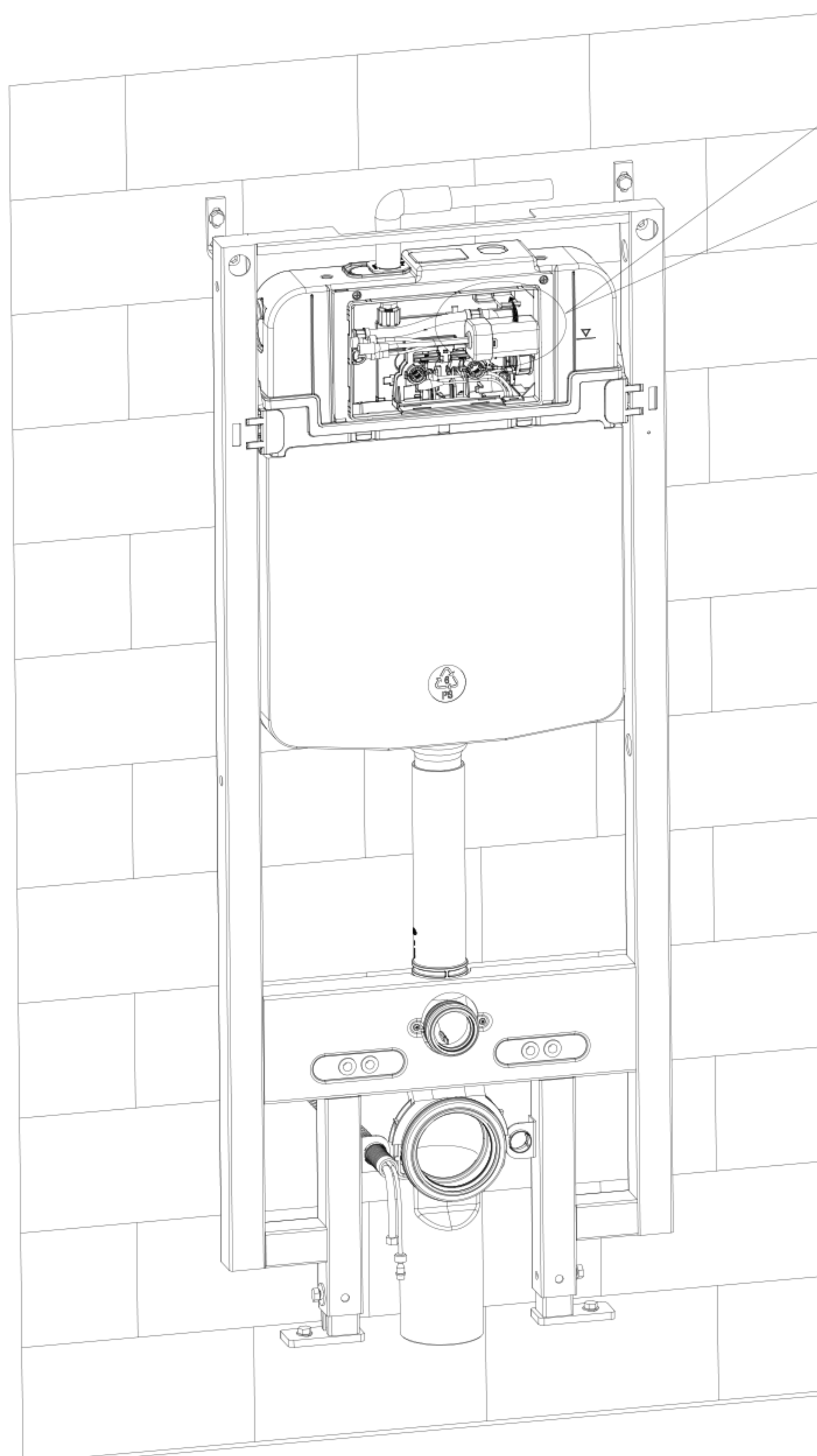
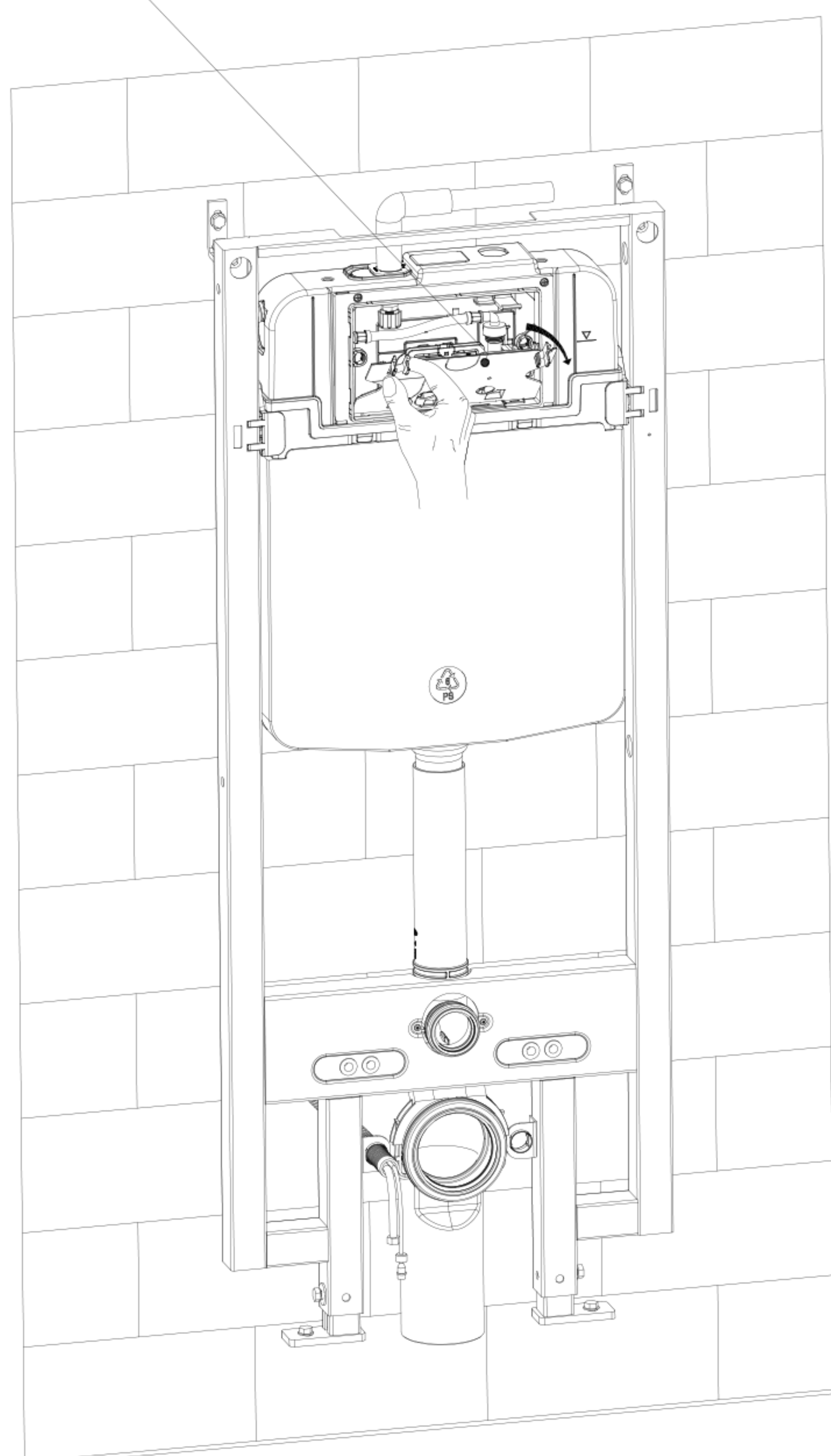
## 6. Adjust the frame, then fix it, and install water supply



## 7. Installation of off-seat automatic flushing module (When product is with off-seat function, this installation step should be carried out; If not, skip this installation step)

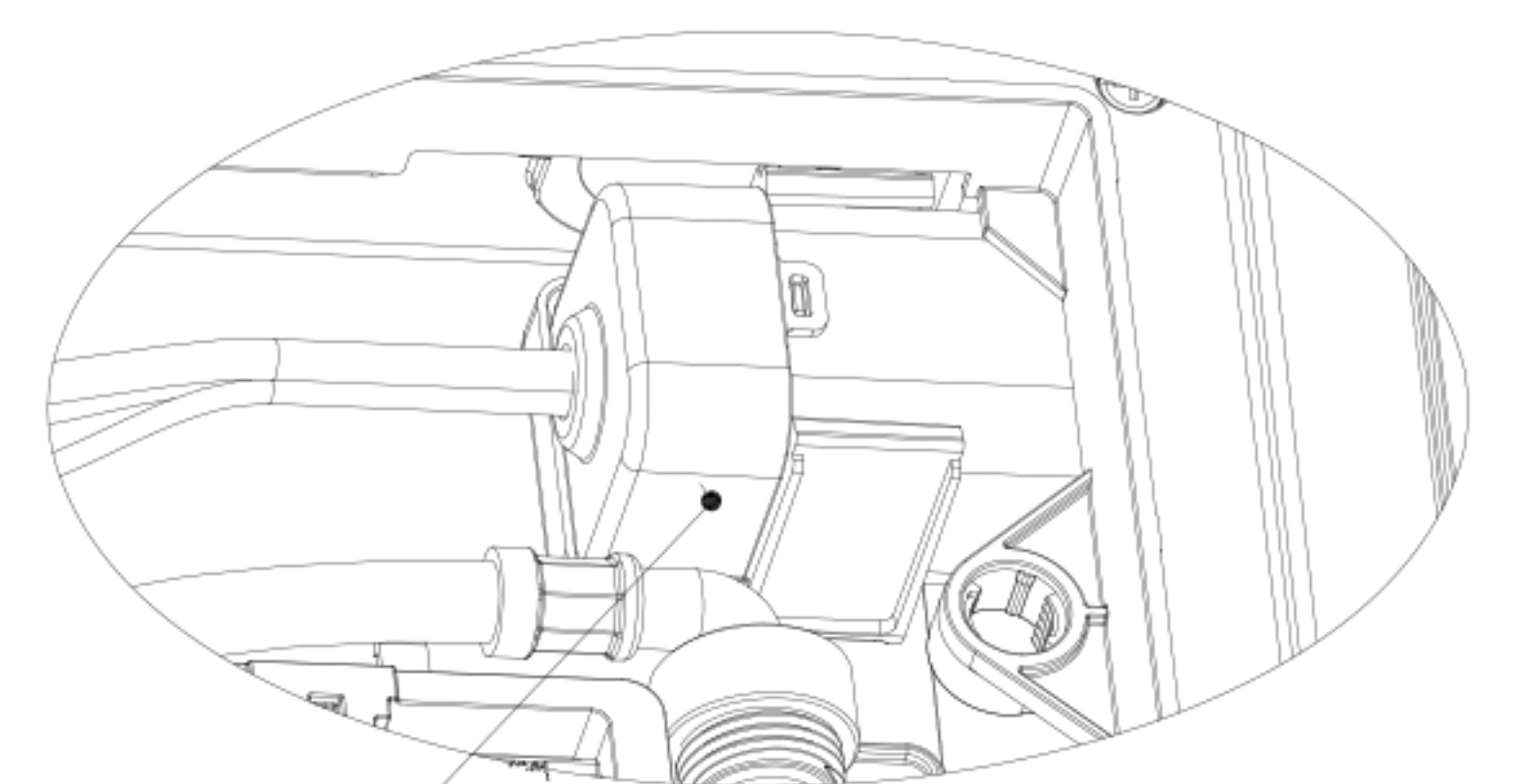
1. Remove the water tank cover.

Off-seat automatic flushing module



Mounting bracket of battery box

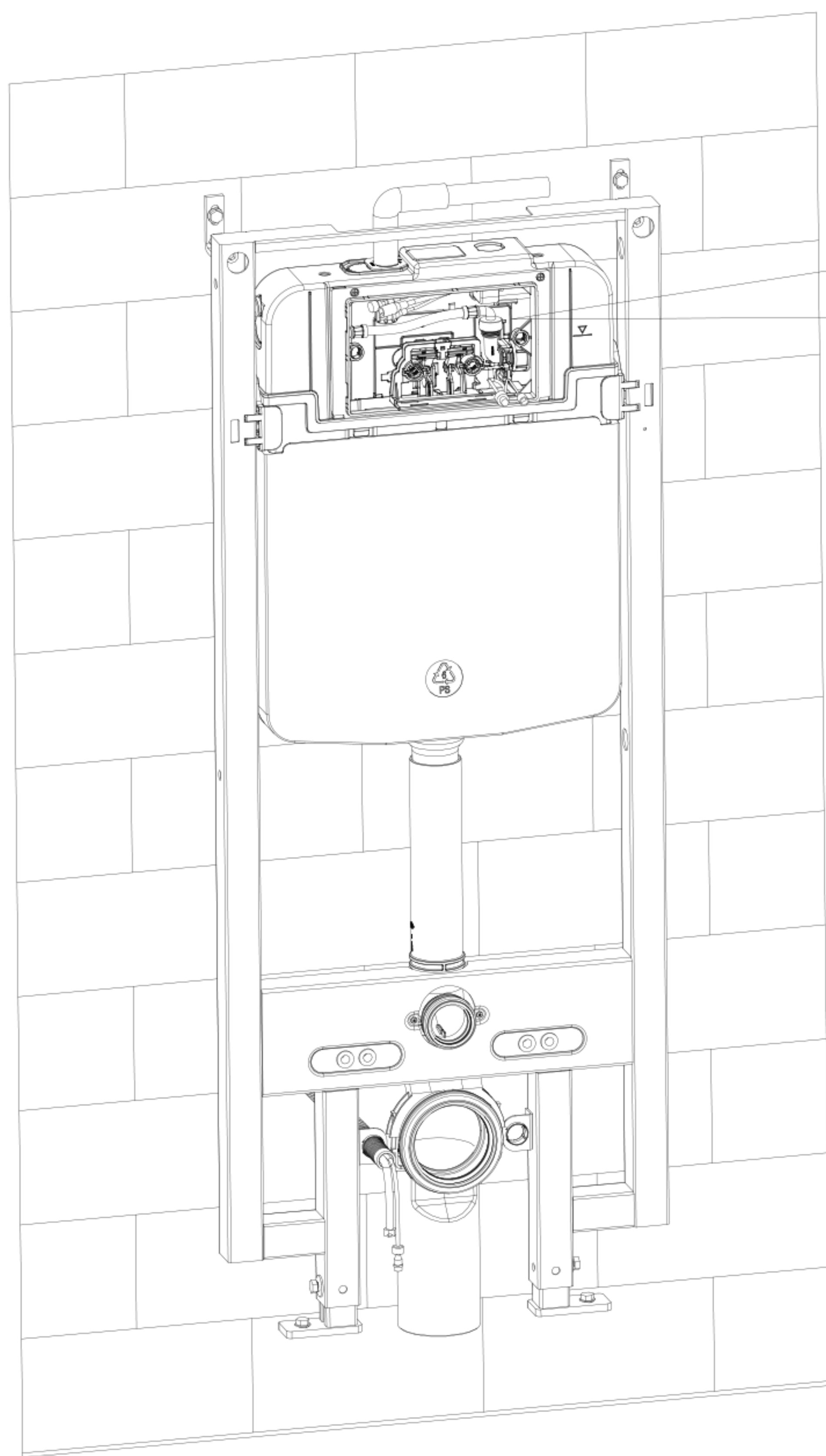
2. Install the automatic flushing module into the mounting bracket.



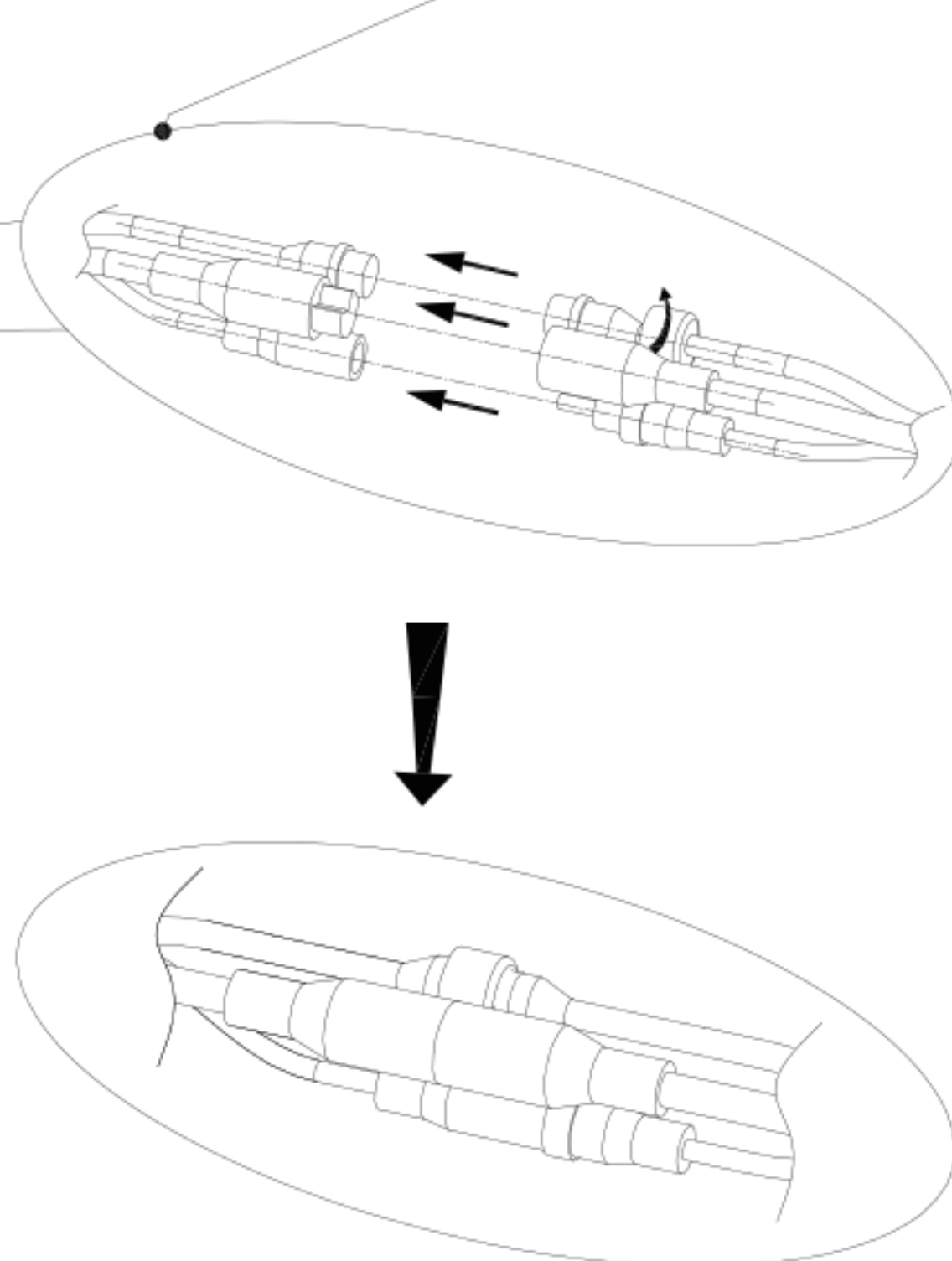
3. The automatic flushing module needs to be installed in place (as shown)

## 7. Installation of off-seat automatic flushing module

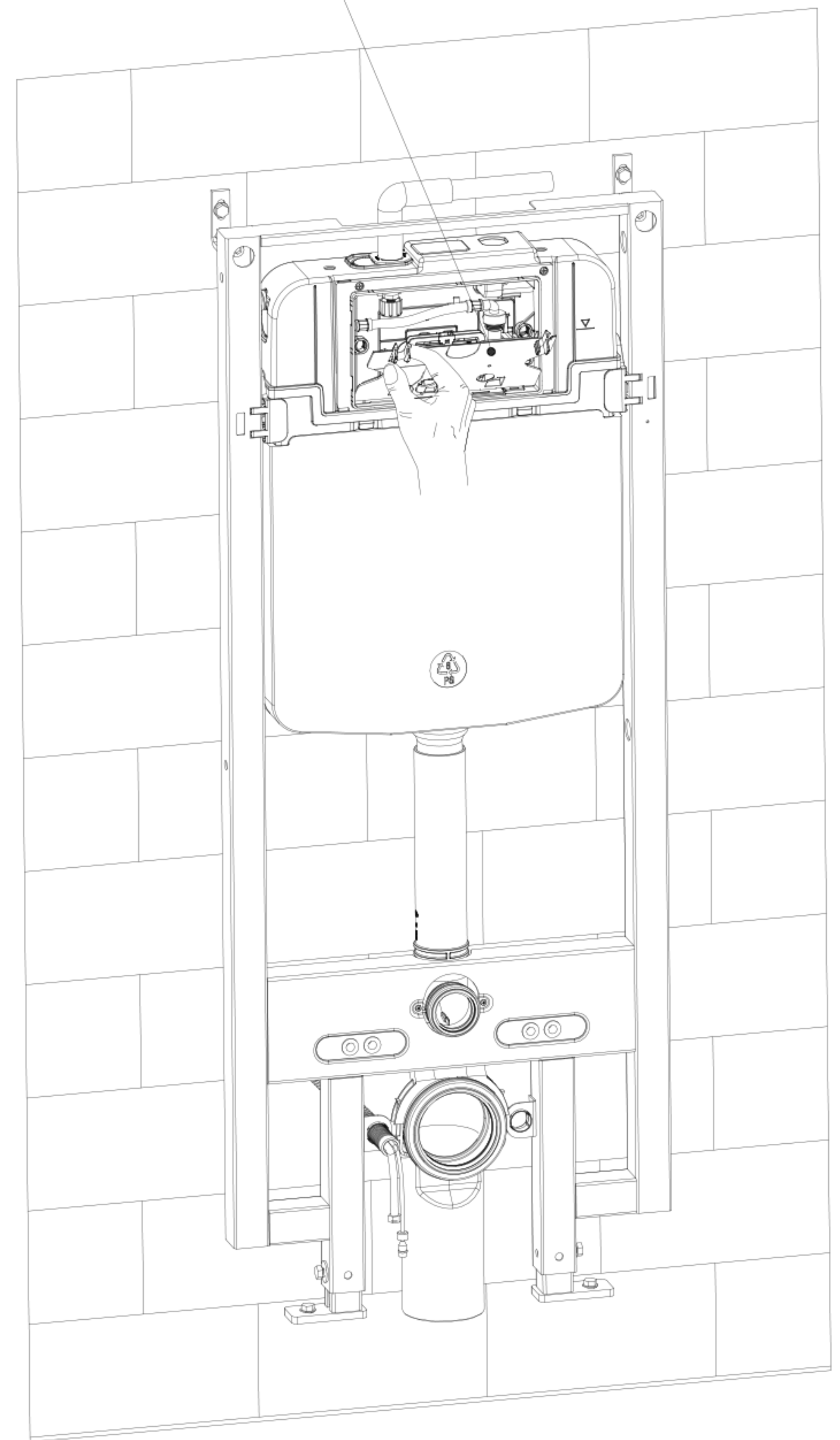
(When product is with off-seat function, this installation step should be carried out; If not, skip this installation step)



4. Connection between corresponding wires (as shown)

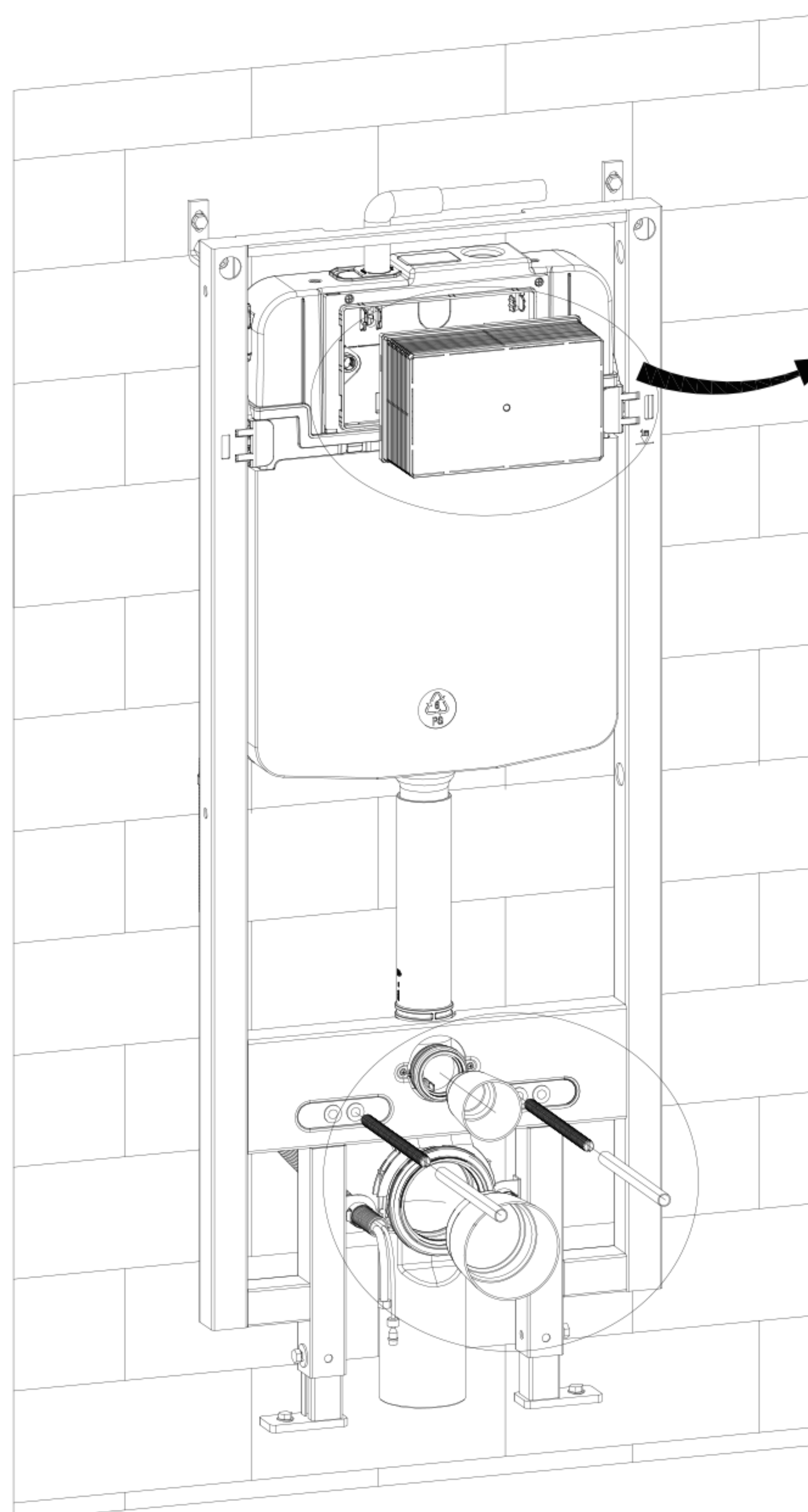


5. Install the water tank cover

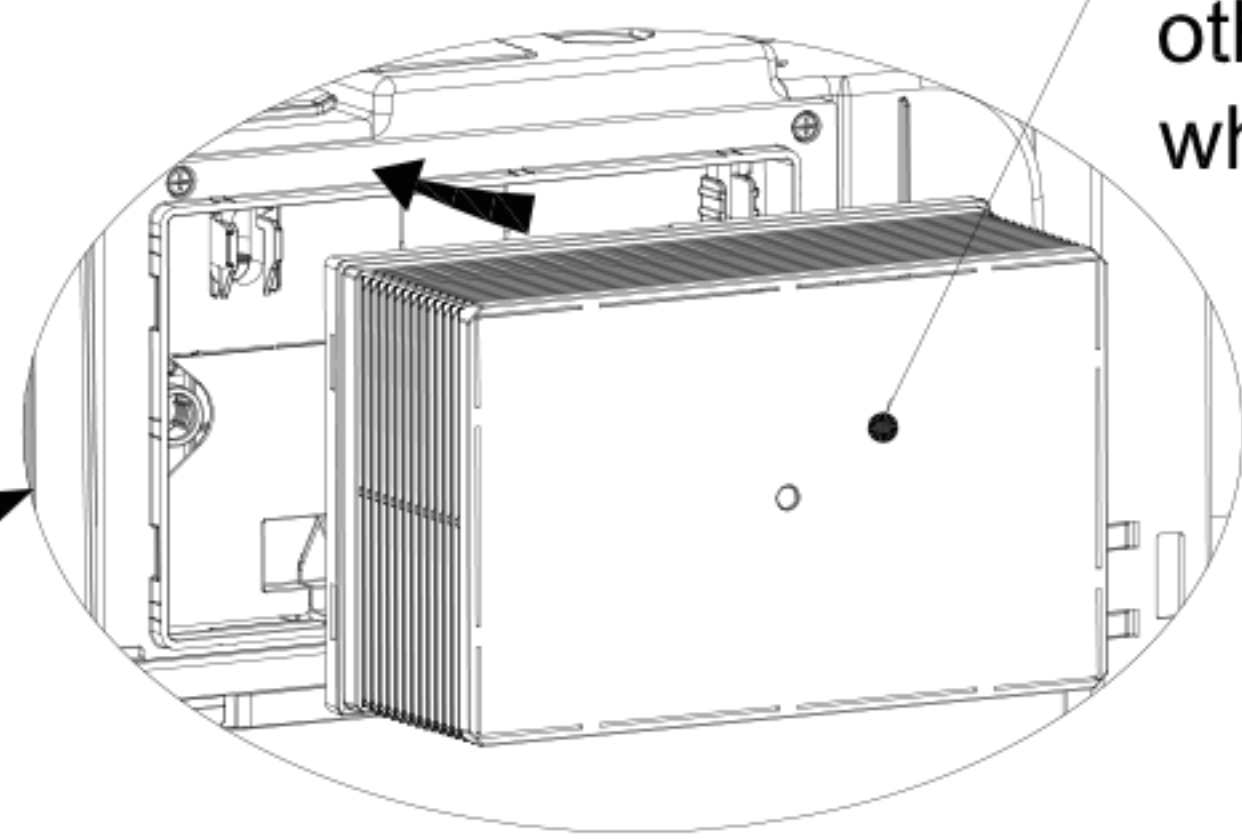


## 8. Mounting of installation accessories

### 8.1: Mounting of installation box, big and small plugs

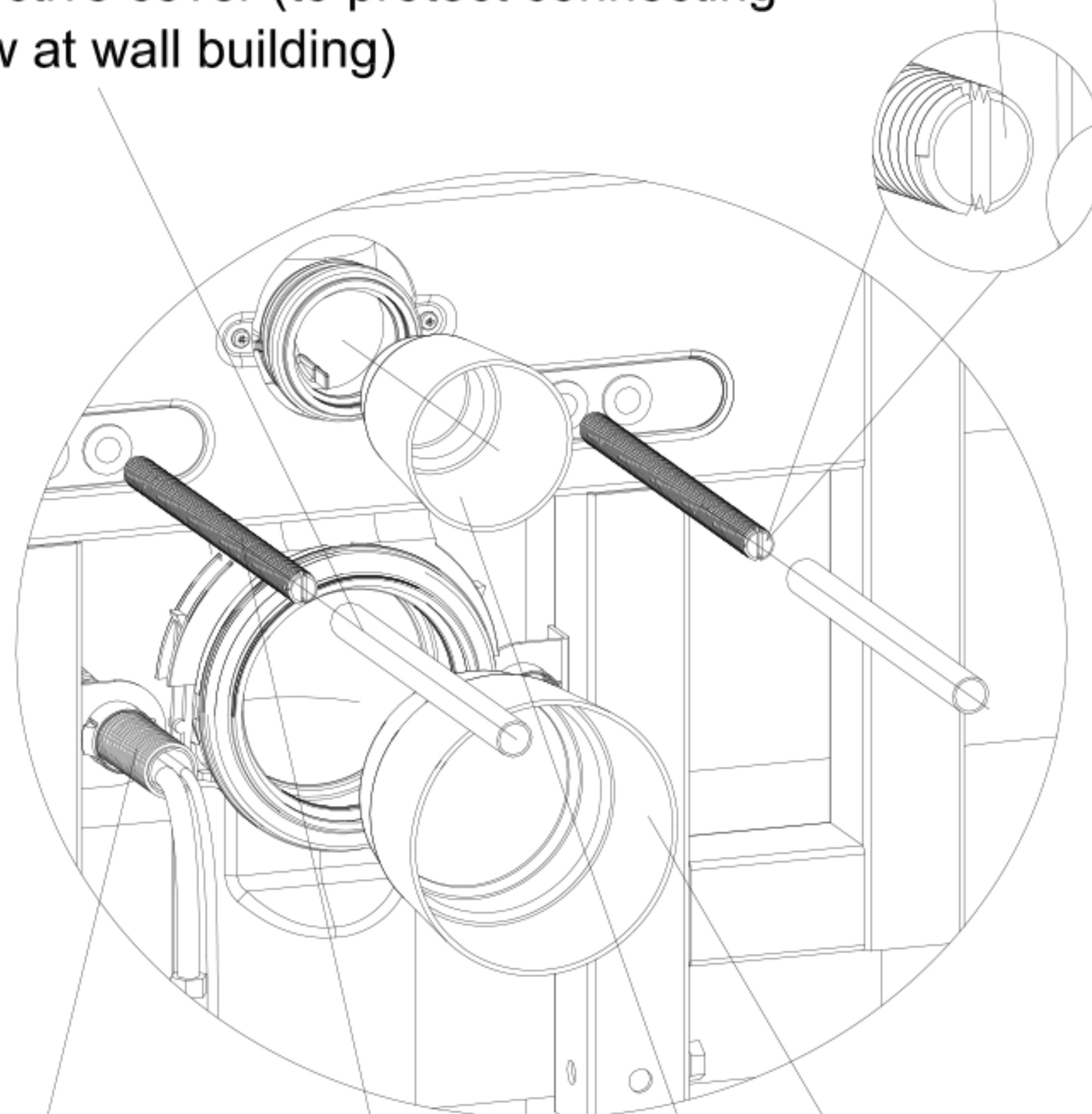


Installation box  
(Reserve space for installing push plate and avoid dust or other dirt entering cistern when building wall)



Protective cover (to protect connecting screw at wall building)

Stud slot

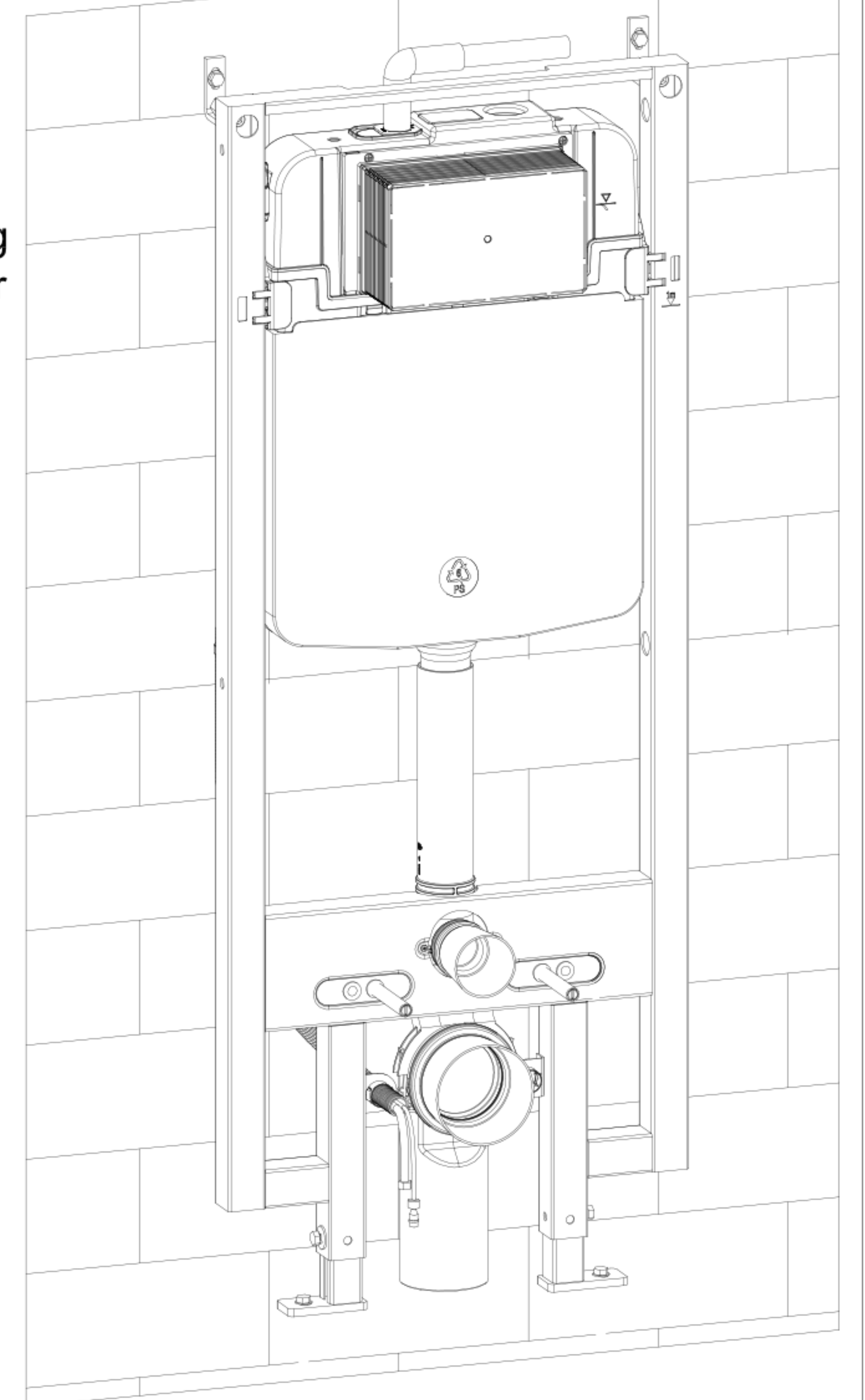


Corrugated pipe  
(protect waterway braided tube)

Big dust-proof cover (to reserve space for discharging piping at wall building)

Connecting stud (to fix the bowl, size of stud hole should be 180mm, one end with slot of the stud should face outward)

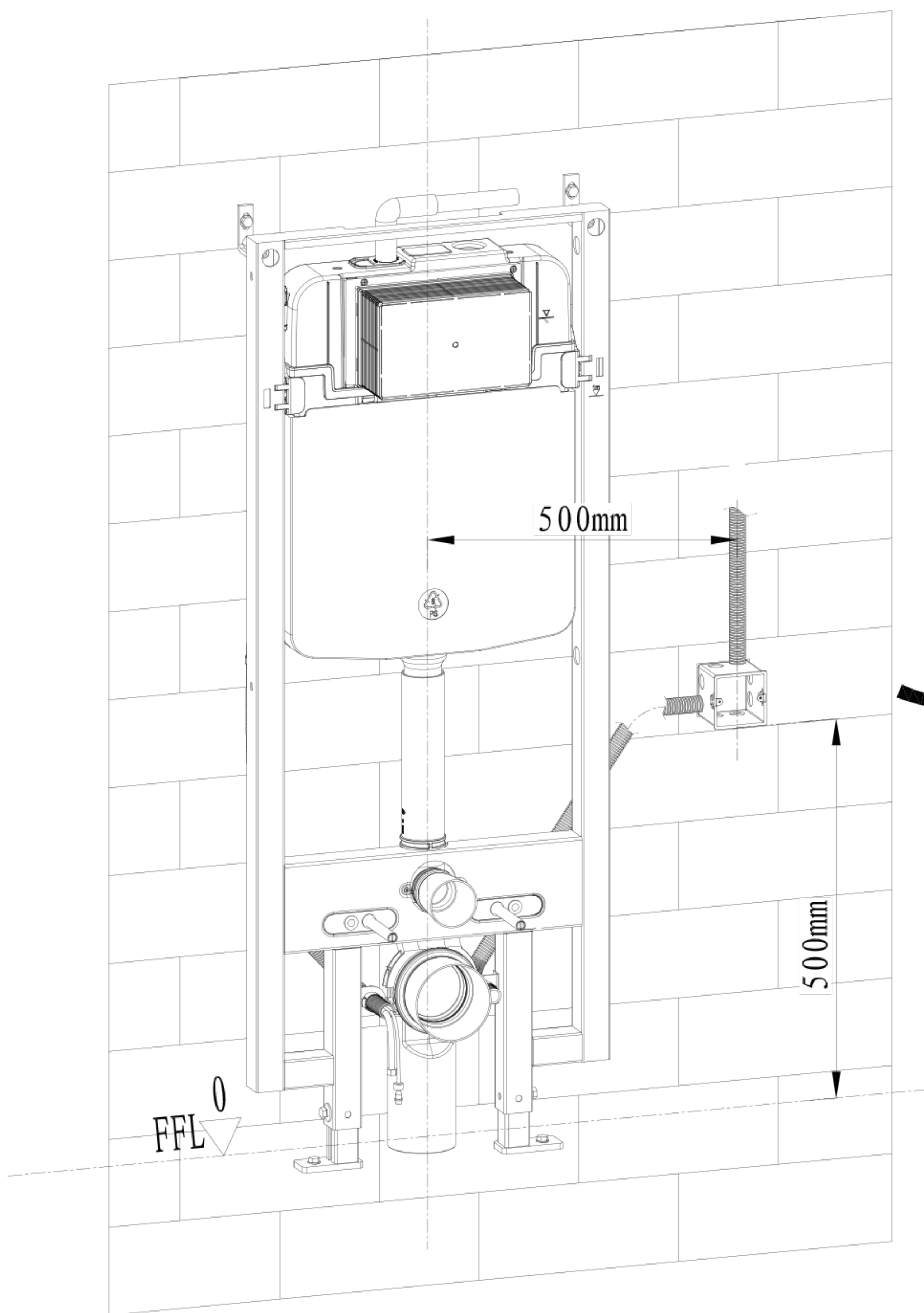
Small dust-proof cover (to reserve space for flushing piping at wall building)



**Note:**

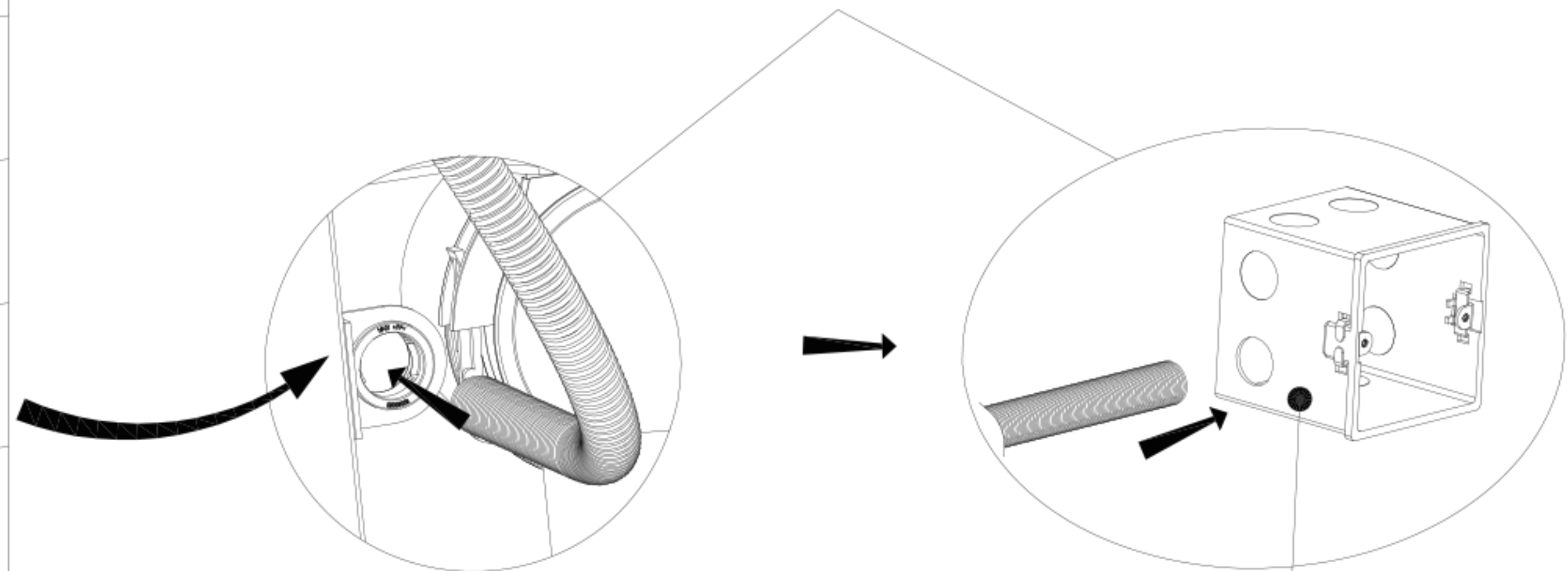
1. Size of stud hole is 180mm.
2. The distance S between stud washer and surface of metal frame is same as thickness of decoration wall.

## 8.2 .Installation of corrugated pipe(protect electronic cable) (When product is with electronic cable, this installation step should be carried out; If not, skip this installation step)



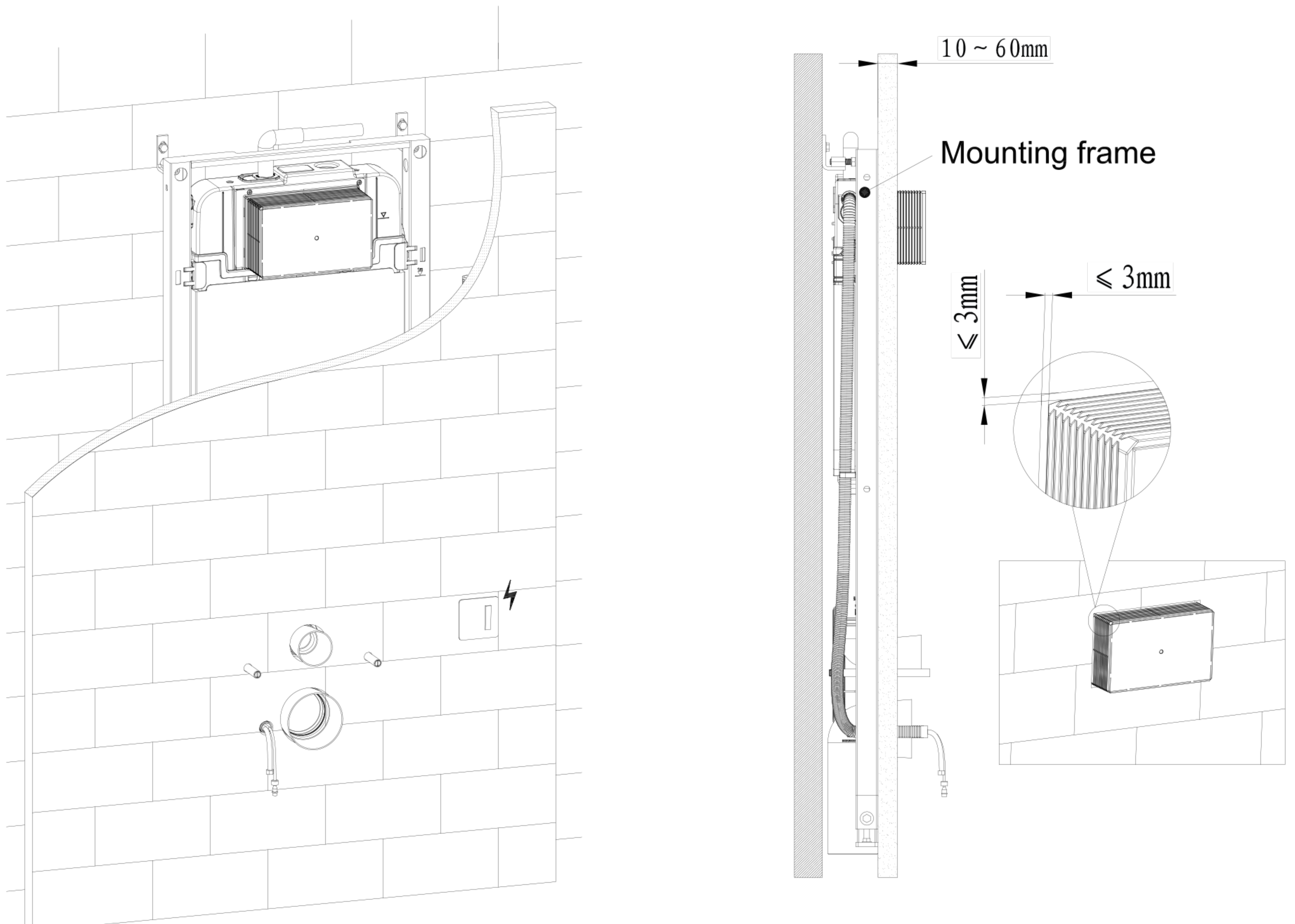
### Installation steps of corrugated pipe (protect circuit connection line)

- 1.Penetrates one end of the corrugated pipe into the back of the iron frame with a round hole of pipe clamp.
- 2.Insert the other end into the circuit breaker-junction box (Users buy it by themselves)

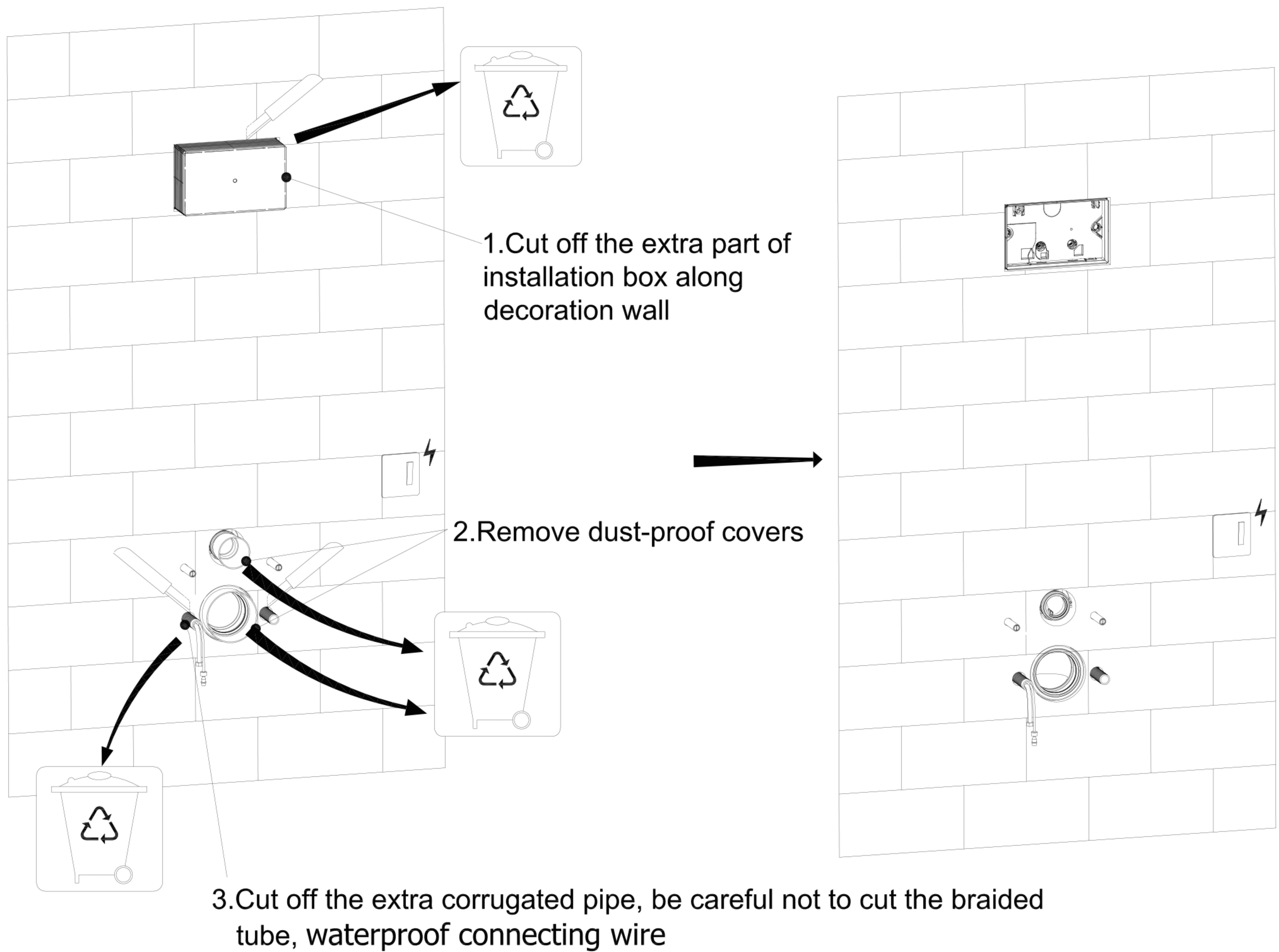


Circuit breaker-junction box  
(not supplied)

## 9. Decoration wall thickness range 10~60mm (from the outside surface of the mounting frame to finished wall surface)

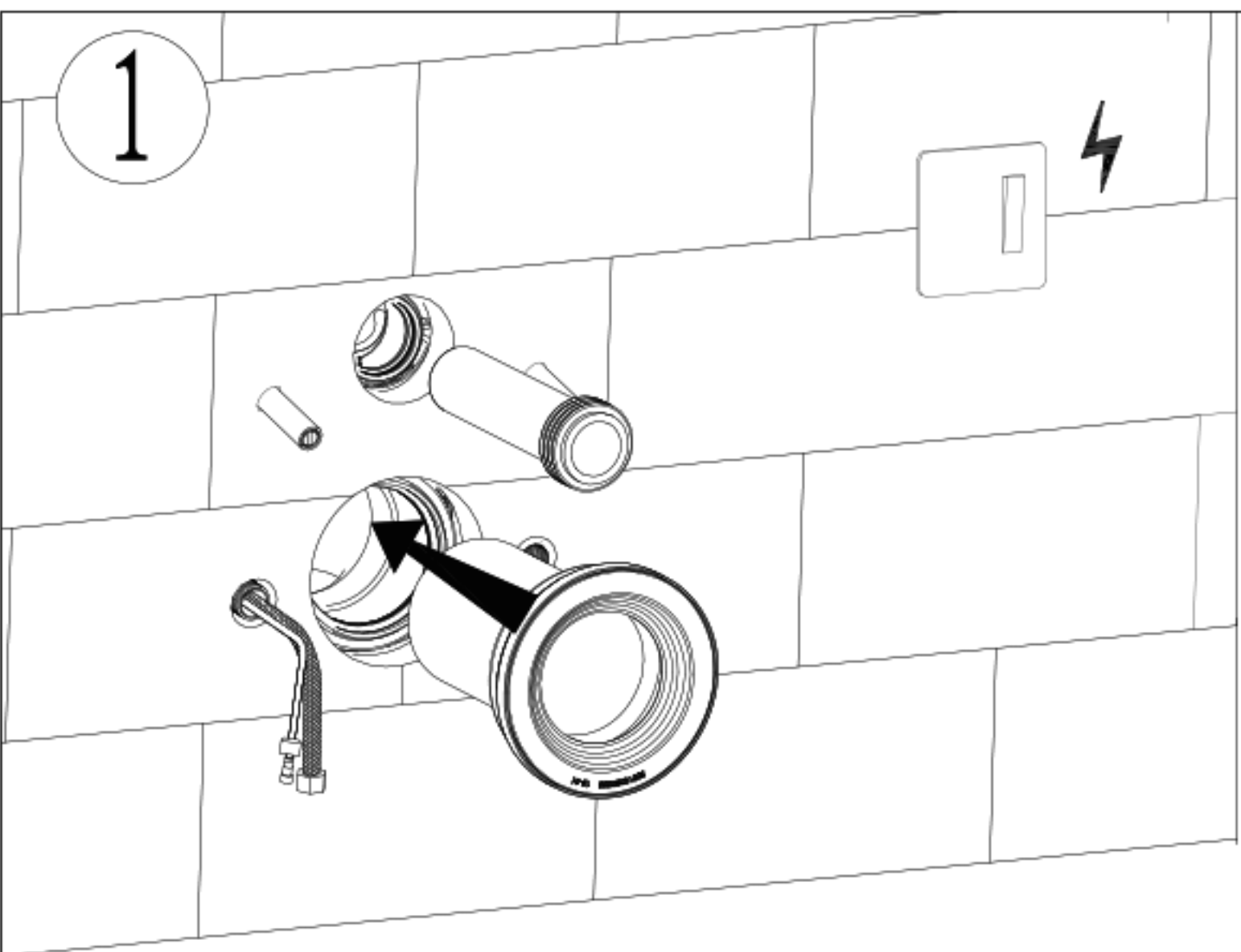


## 10. Remove extra installation boxes, corrugated pipe, dust-proof covers

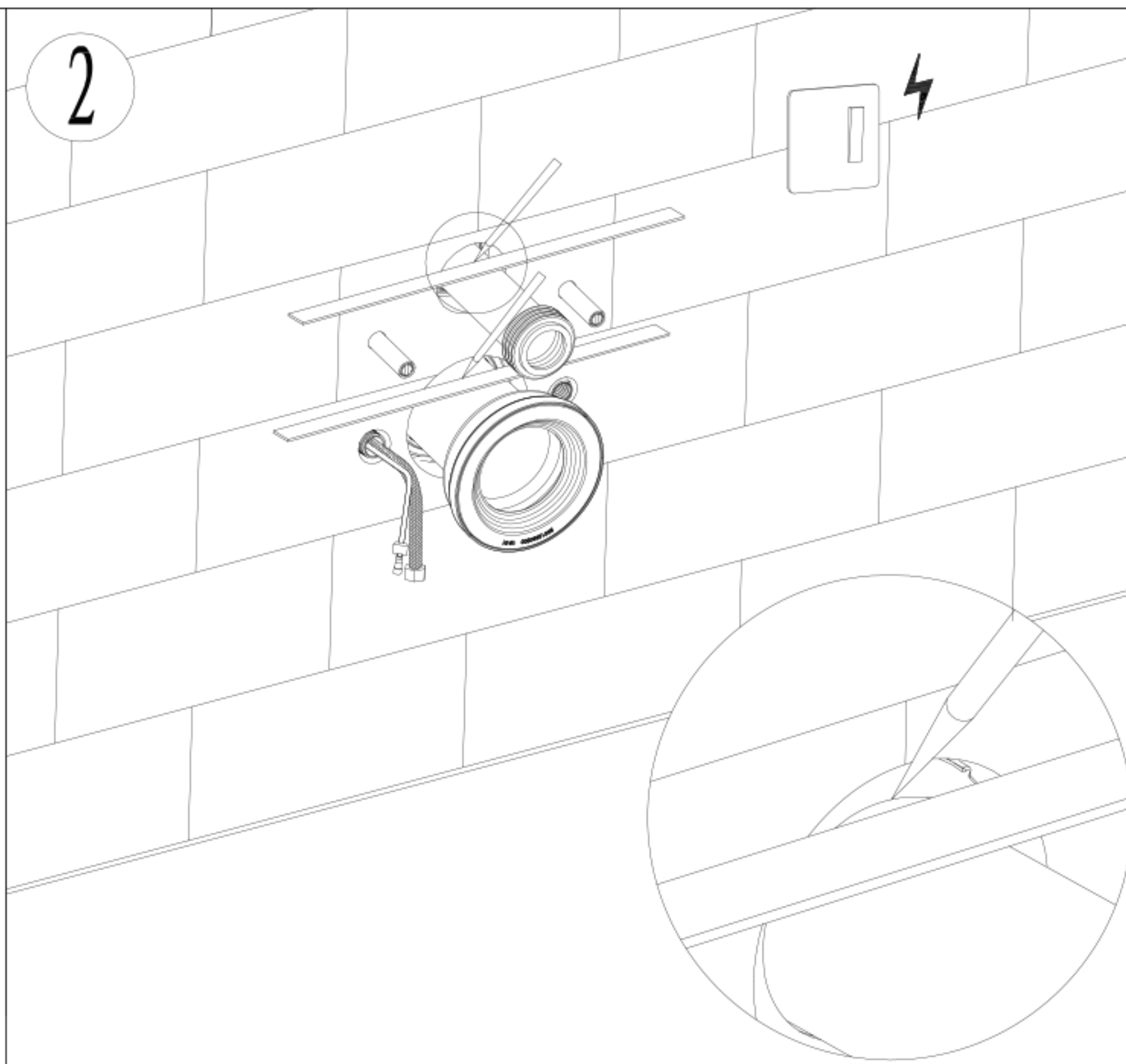




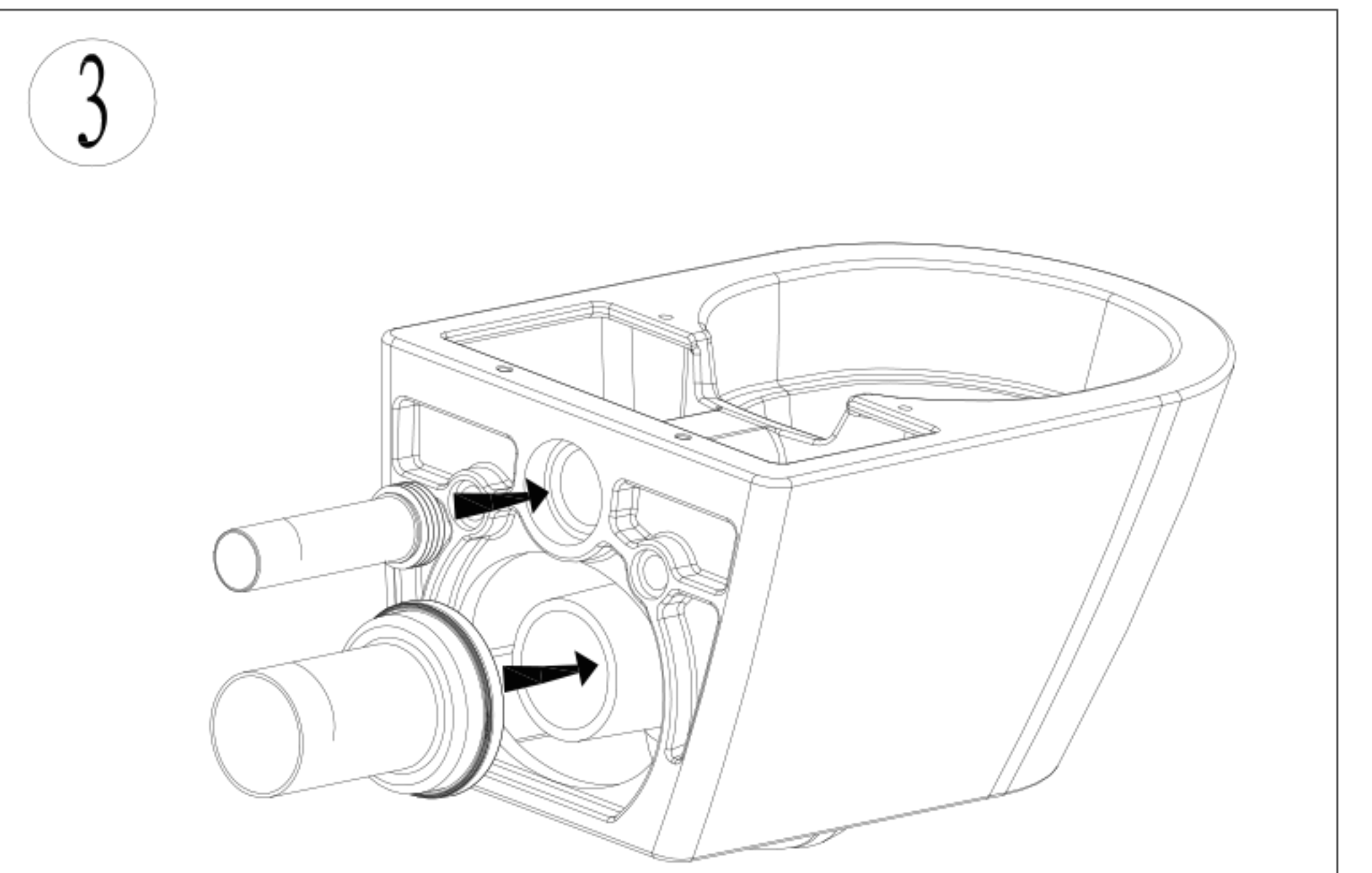
# 11. Mounting of ceramic bowl



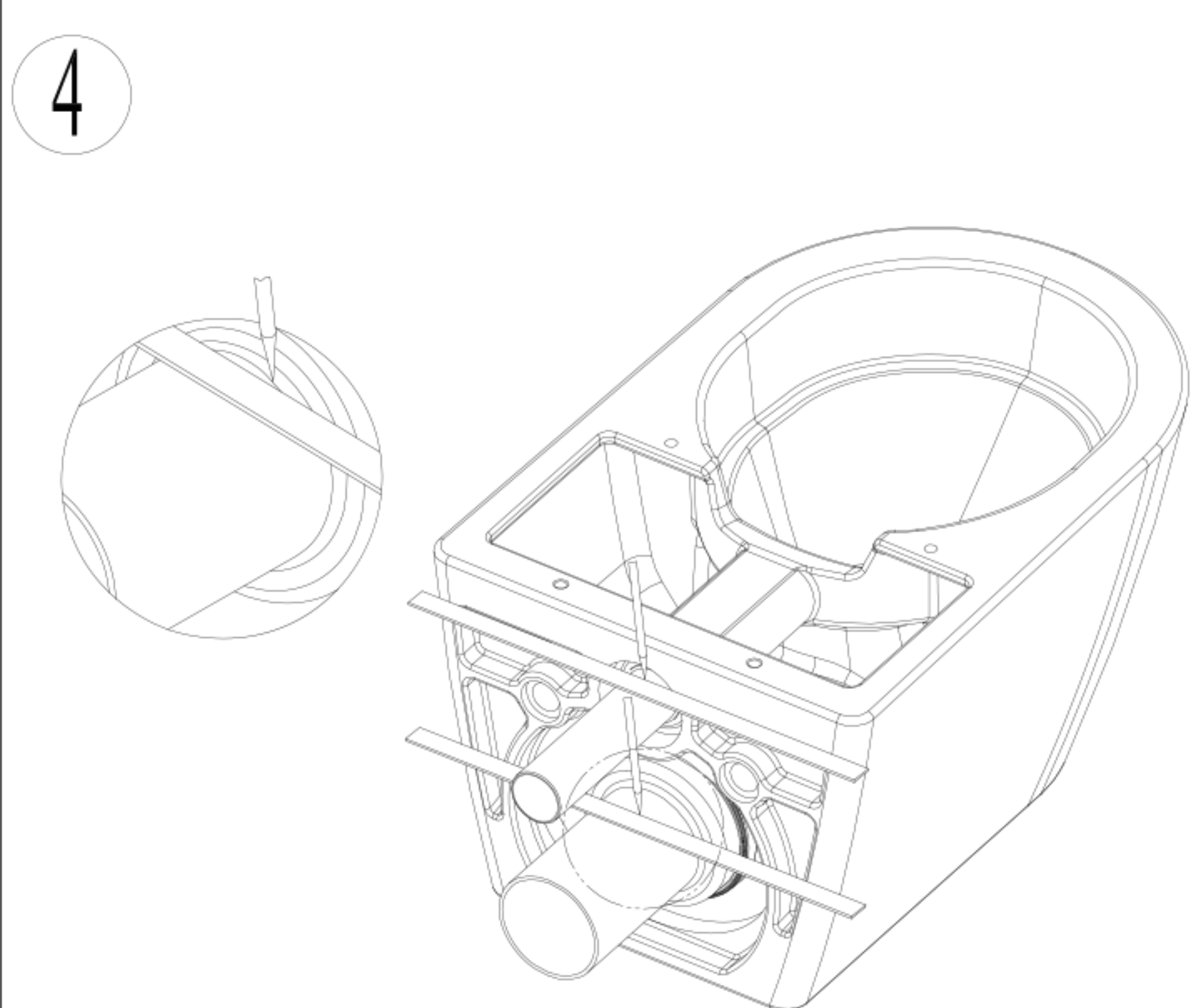
1 Insert the straight pipe and connecting pipe into the water tank elbow and drain elbow respectively.



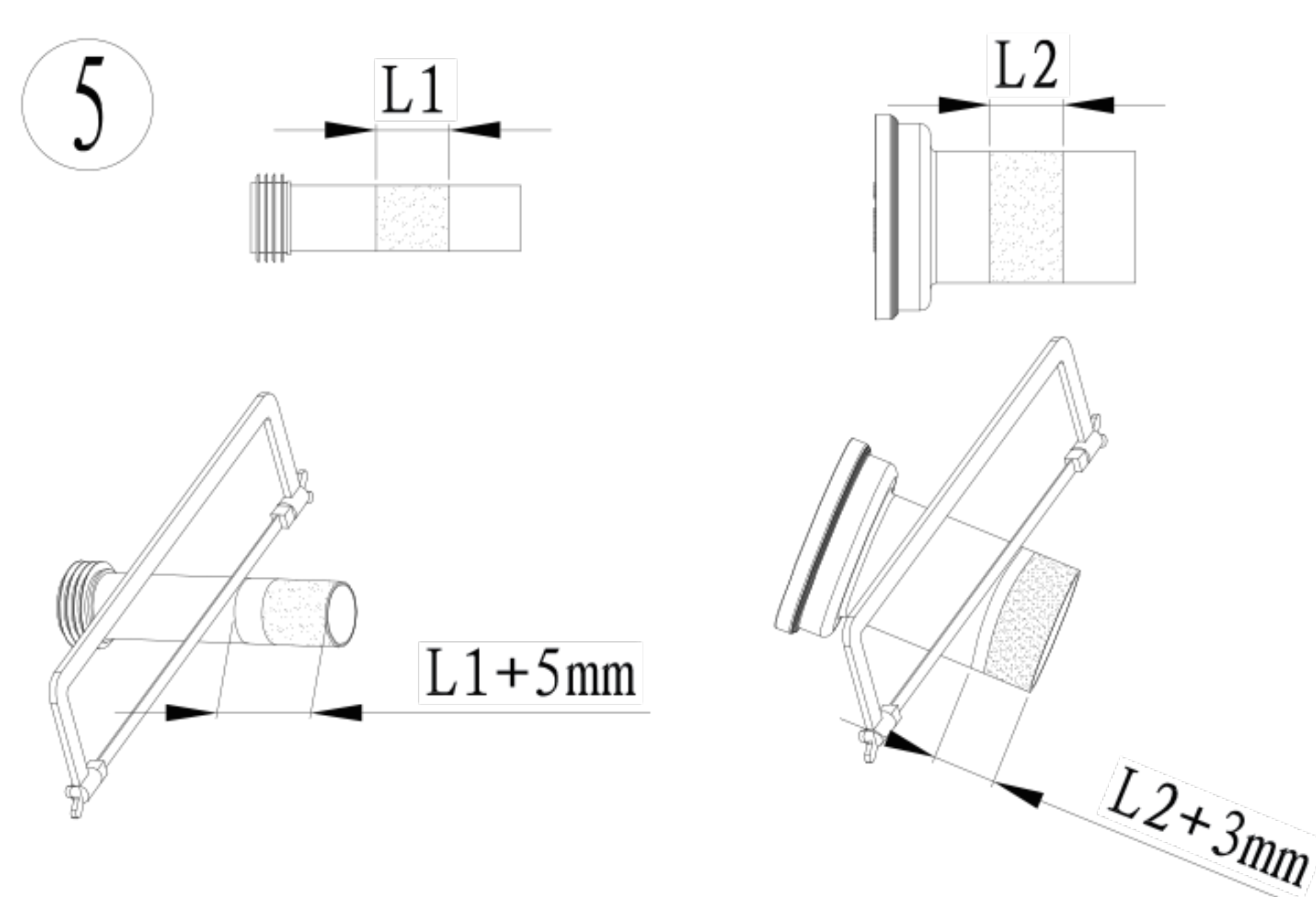
2 Draw the lines as above picture.



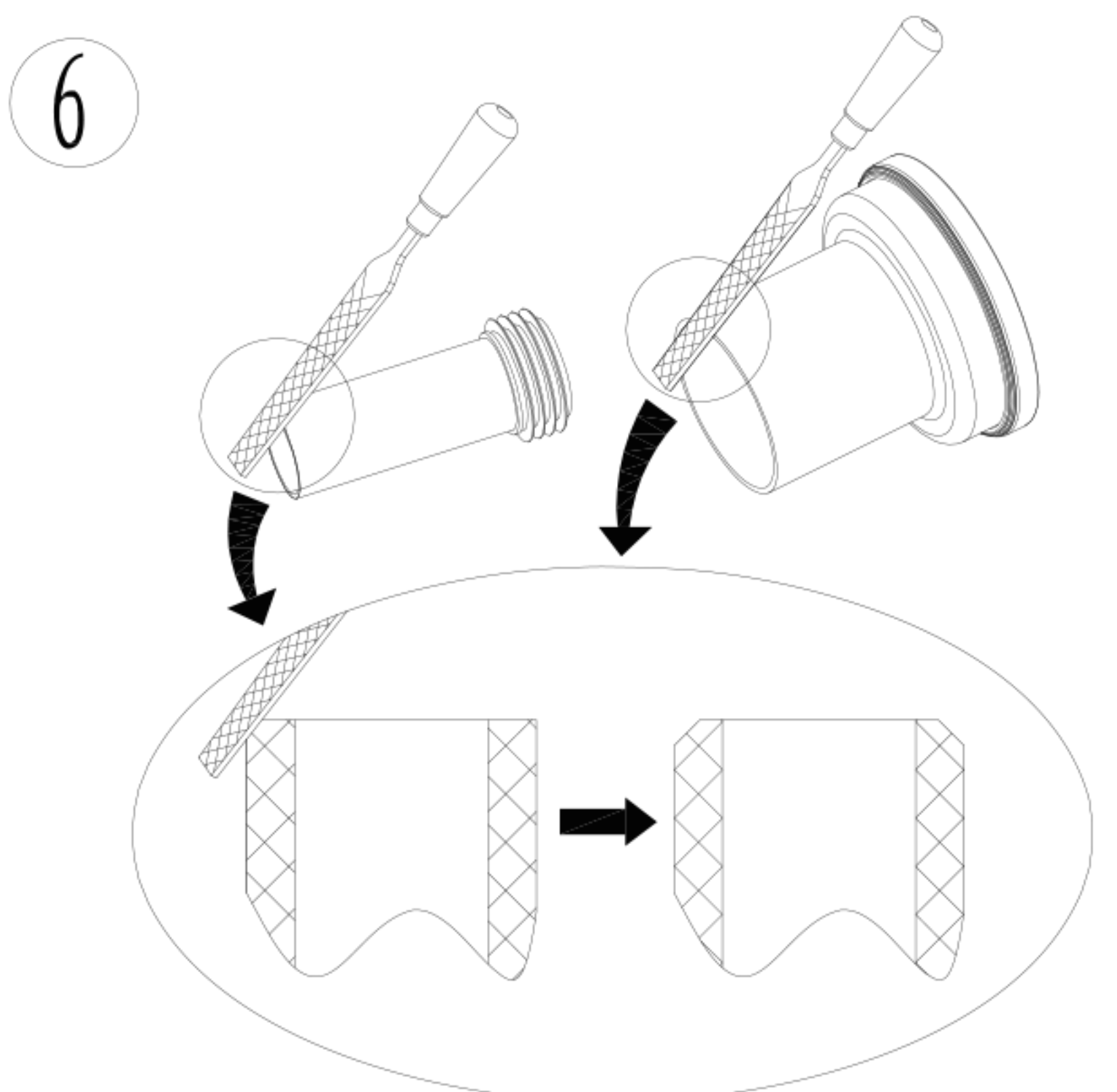
3 Apply lubricant on rubber washers of straight tube and connecting pipe, then insert into ceramic holes.



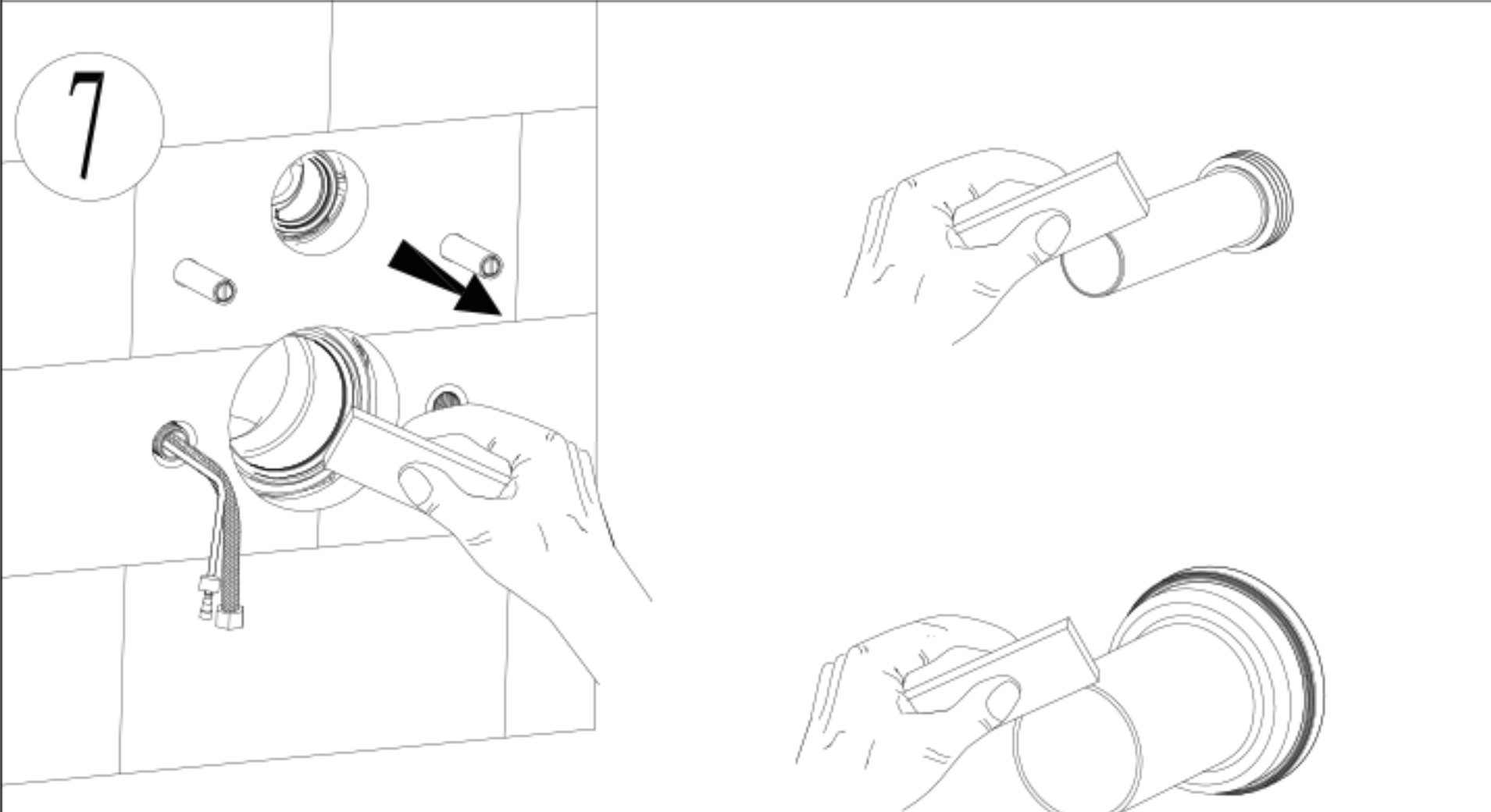
4 Draw the lines as above picture.



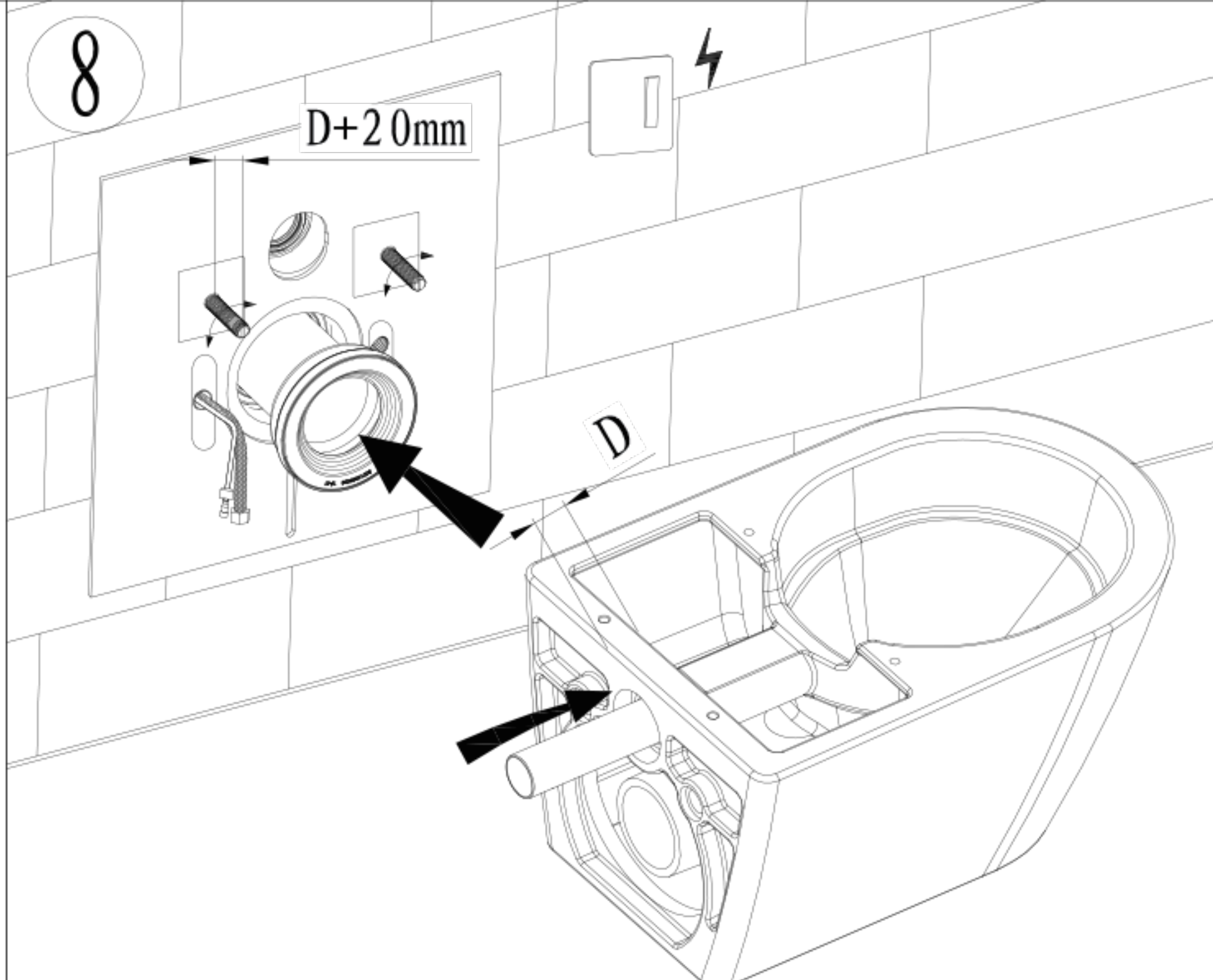
5 As per drawing, L1 is distance between the two lines on straight tube. L2 is distance between the two lines on connecting pipe. Cut the straight tube and connecting pipe as per above drawing.



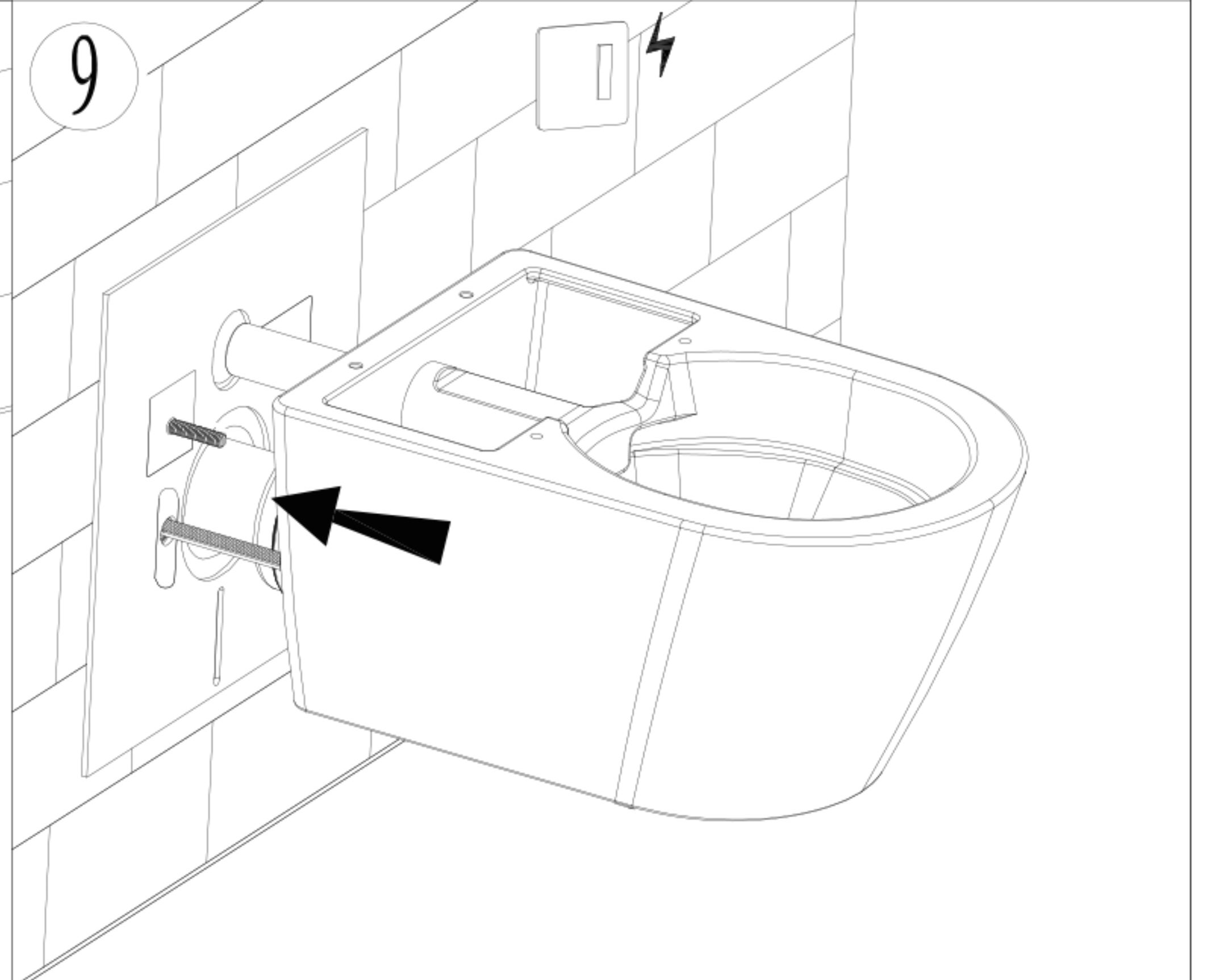
6 Polishing the cutting surface to get chamfer angle as per drawing and deburring.



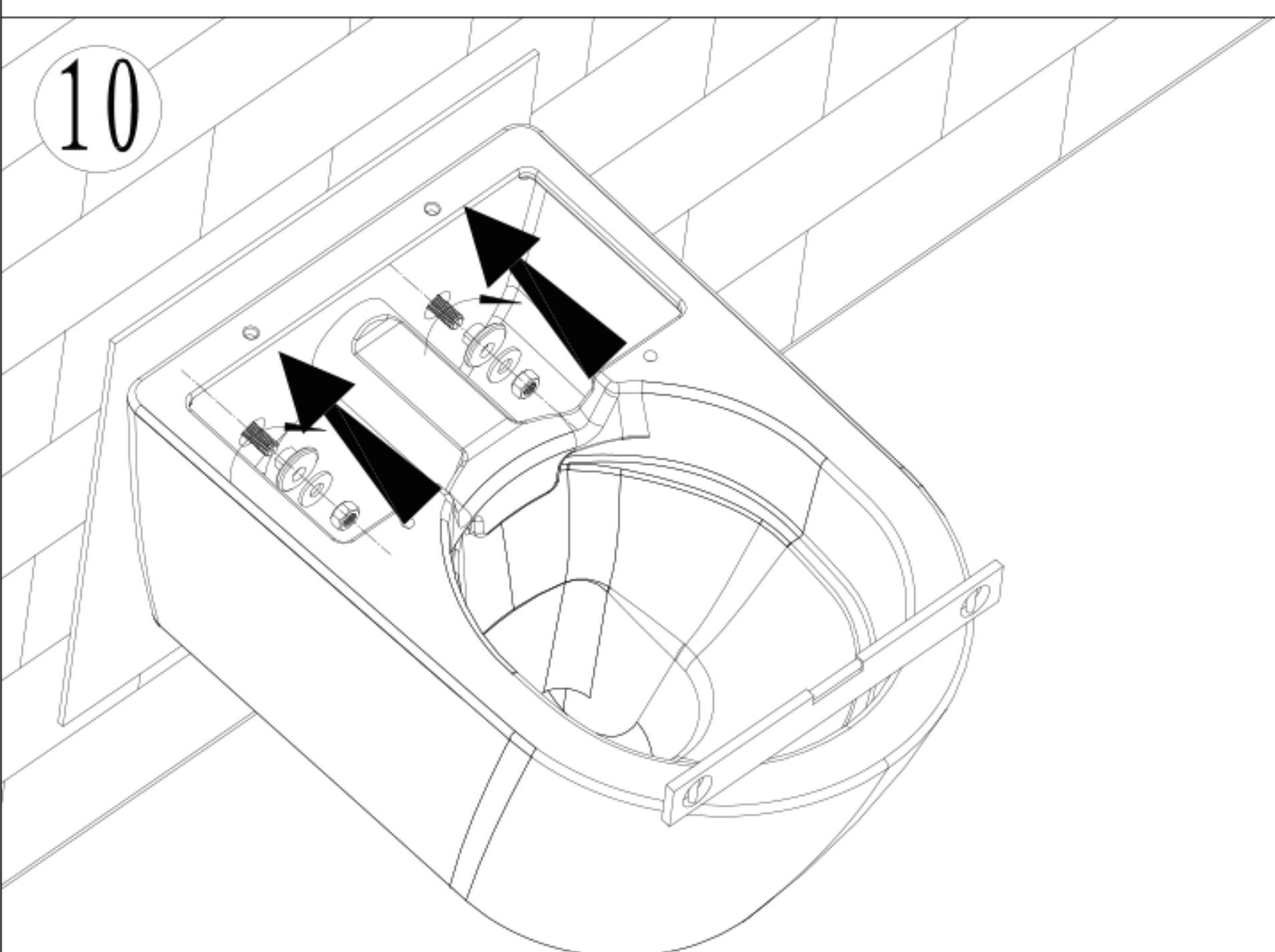
7 Use a sponge with silicone oil to apply silicone oil to the junction of the straight pipe and the elbow to remove the protective sleeve.



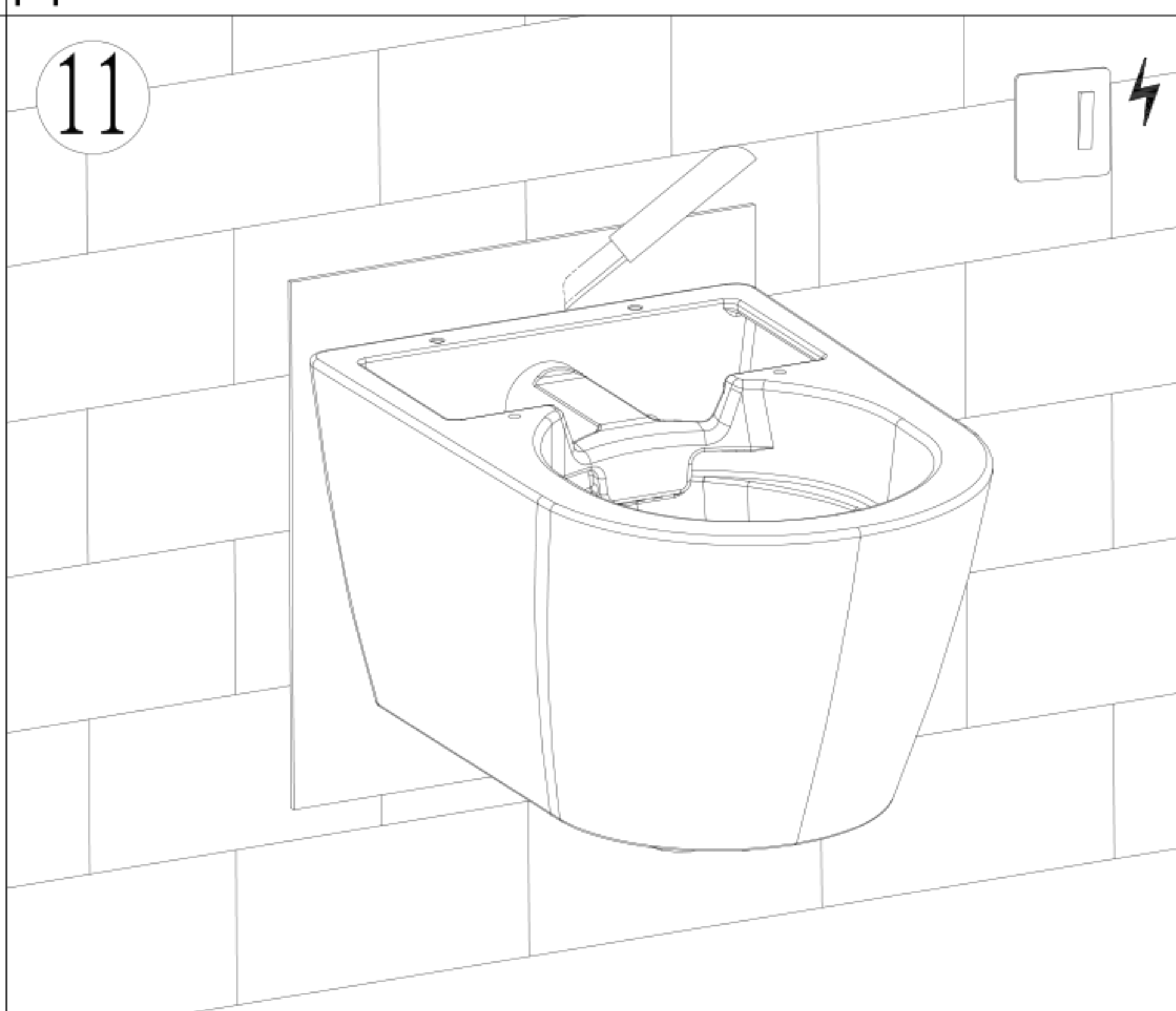
8 "D" means the thickness of the ceramic toilet. First hang the liner on the bolt, then insert the connecting pipe into the drain elbow, and the straight pipe into the toilet hole.



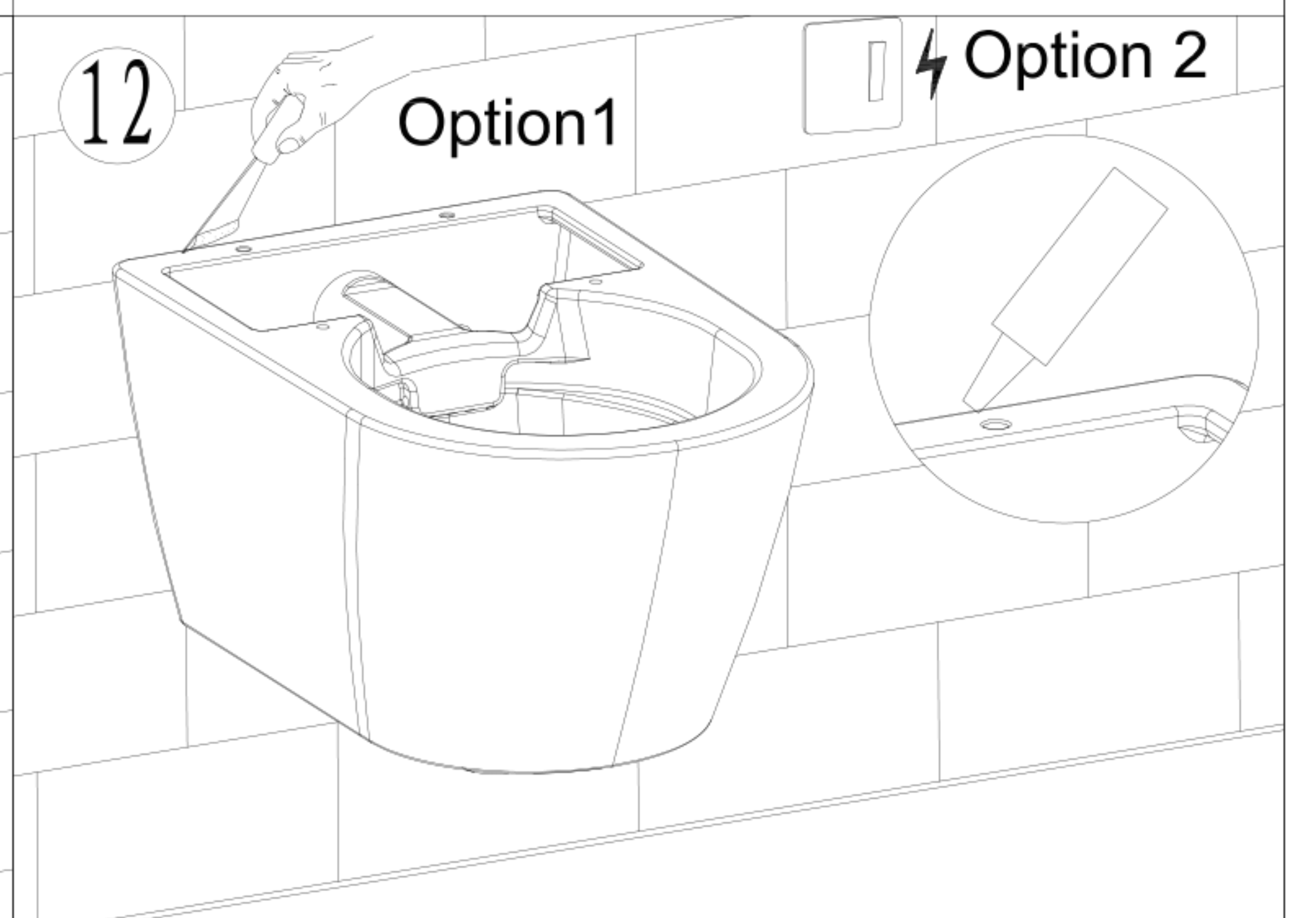
9 Insert the ceramic bowl .



10 Fix the ceramic bowl.

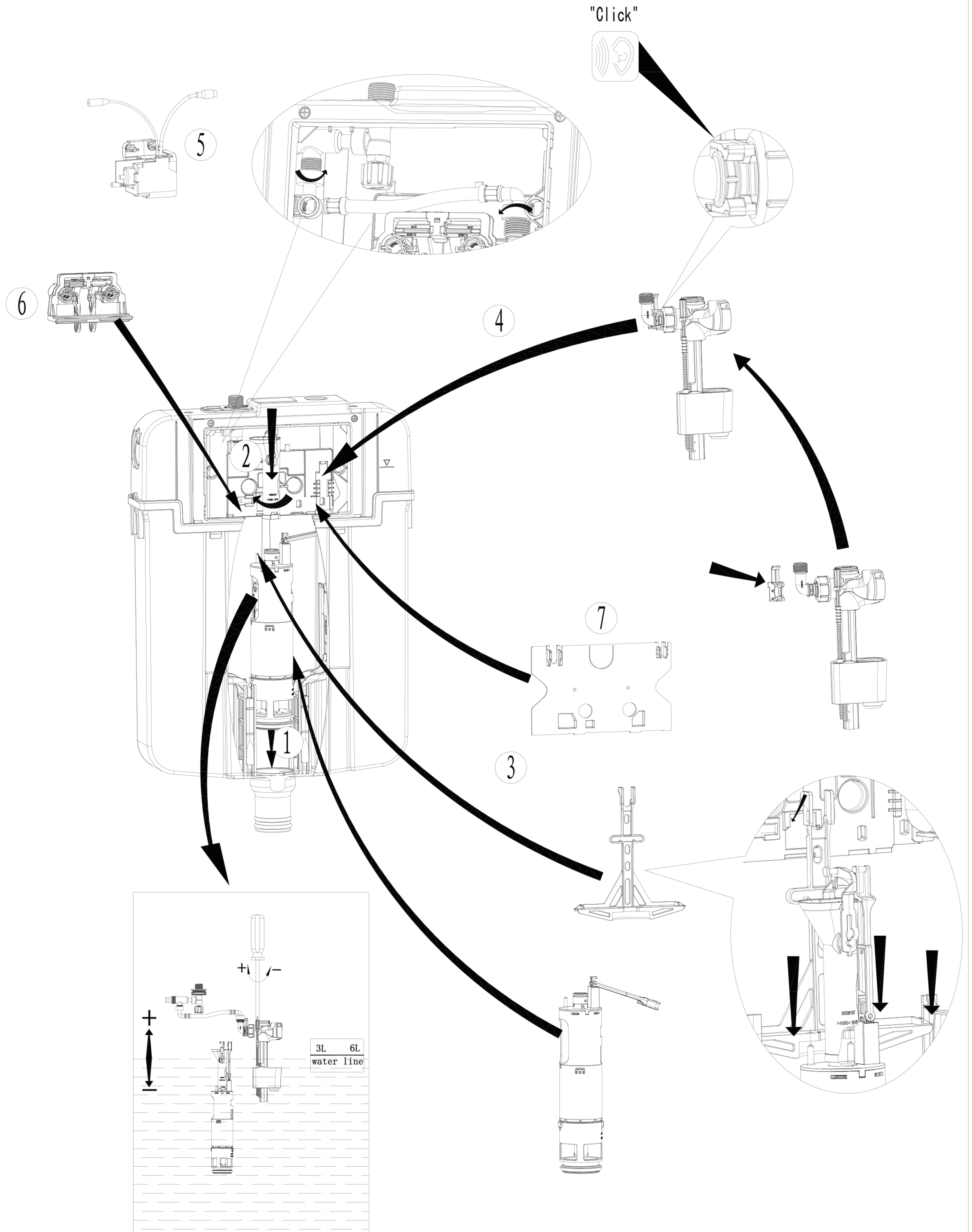


11 Remove the extra liner along the outline of the toilet.



12 Fill the gap with white cement or glass cement. Note: Connect braided tube with ball valve and power cord, see instruction manual of smart toilet V7201.

## 12. Internal flushing mechanism assembly drawing



The internal flushing mechanism are already well-assembled and above picture only for reference.