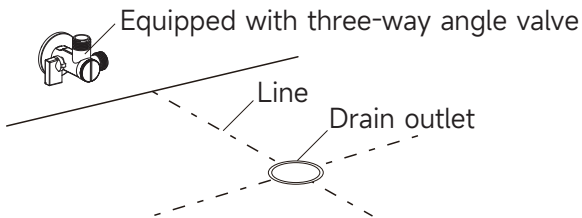


# Toilet installation

## 1. Install the matching three-way angle valve

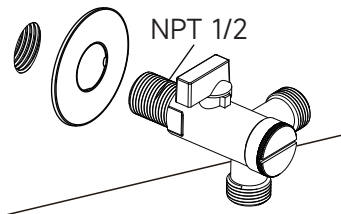
- Mark the center line of the sewage outlet on the ground, and install a three-way angle valve at a suitable position on the wall according to the size of the toilet.



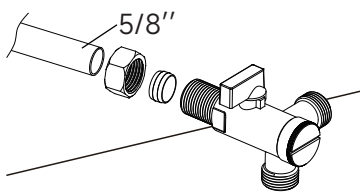
Note:

1. Please use the supplied angle valve when installing this toilet. Use of another angle valve not including a filter may result in blockages in the toilet and bidet waterways.
2. If replacing an existing angle valve, please contact a professional for installation.

Installation Method 1:

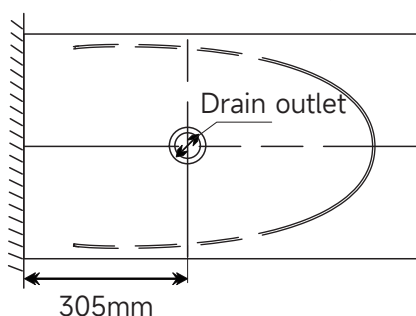


Installation Method 2:



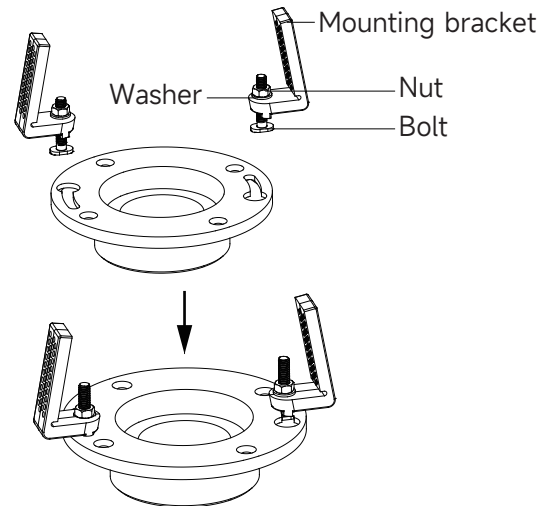
## 2. Rough-in template installation

- Align cardboard with the centerline of drain outlet.
- Draw contour line according to cardboard.



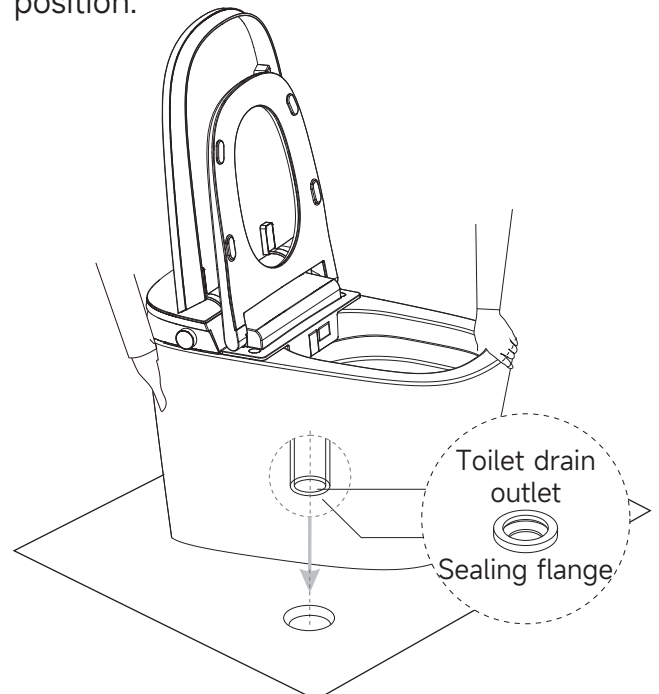
## 3. Mounting bracket installation

- Assemble the mounting bracket with bolts and then install them to the pre-installed flange plate on the ground and lock tight with nuts.



## 4. Ceramic toilet installation

- Install a sealing flange into drain outlet.
- Install ceramic toilet on the corresponding position.

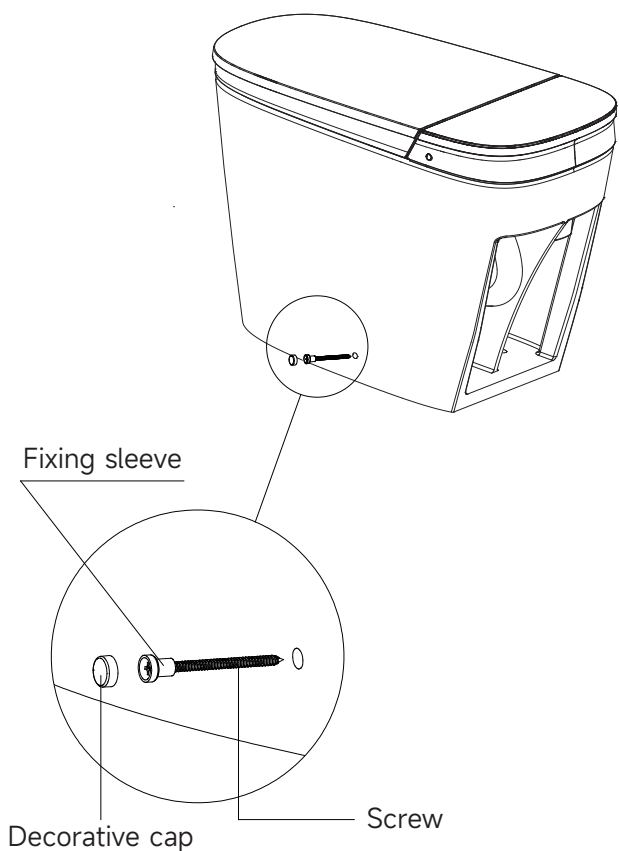


Note:

1. Two people are required to carry the toilet.
2. Please clean up the drain outlet.
3. Please make sure ceramic toilet outlet sits perfectly on drain outlet.

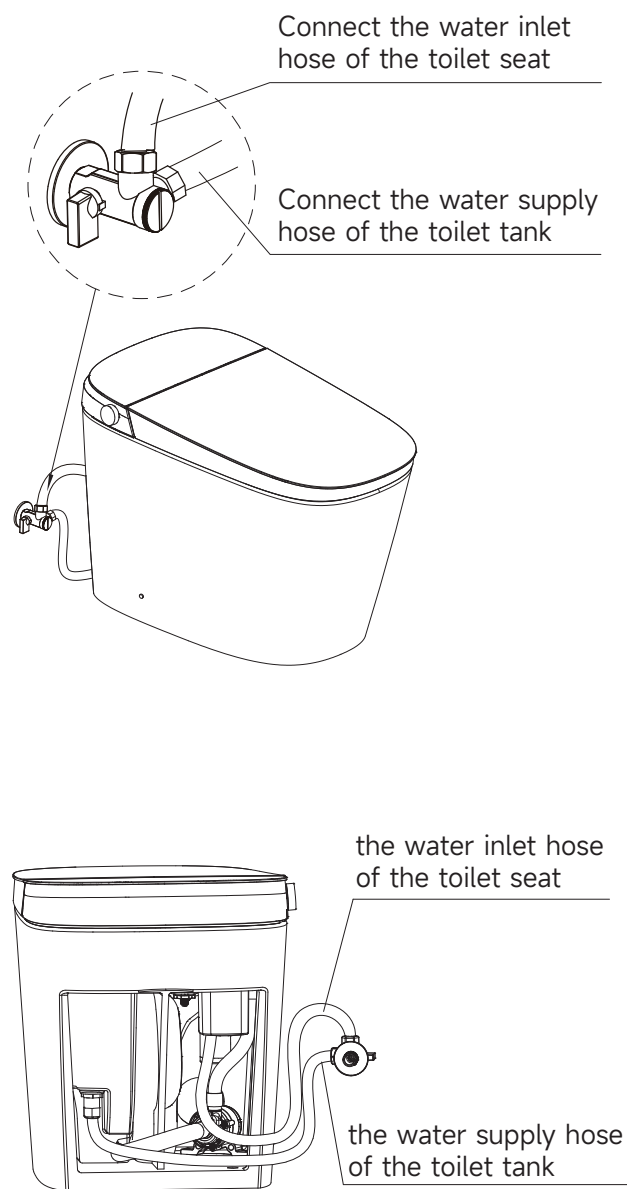
## 5. Screw installation

- Put the screw through the fixing sleeve and then install it through the holes (on both sides of the toilet bowl) to the mounting bracket on the ground. Lock tight.
- Install the decorative cap on the fixing sleeve.



## 6. Connect the hoses

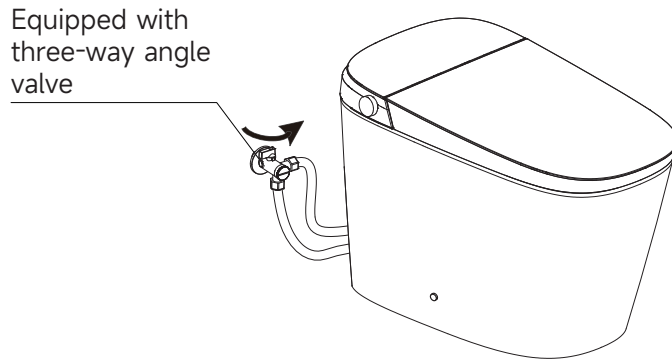
- Connect the water supply hose of the toilet tank and the water inlet hose of the toilet seat to the three-way angle valve as shown in the figure.



# Preparation

## 1. Turn on the three-way angle valve

- Check the threaded connection for leaks to ensure complete sealing. Turn the three-way angle valve counterclockwise to the full open position.  
(Note: The three-way angle valve opens with a large torque for the first time.)



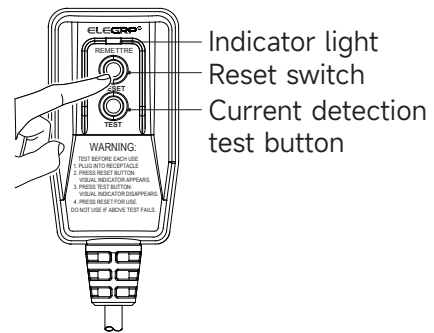
## 2. Power Connection

- Plug in the leakage protection plug to a power socket, press the reset switch, plug indicator lights up, indicating that the power is on.

Note:

Press the test button prior to usage, the reset switch pops up indicating that the leakage protection function is normal.

Press the TEST button (then RESET button) every month to assure proper operation.



- \* Only for models with leakage protection plug.
- \* Please refer to the actual product.

## 3. Self-inspection

- Once power is connected, the buzzer beeps and the button lights up. All icons on the display light up, and the self-inspection starts.
- The buzzer of the main unit beeps again, and the self-test is completed, and the indicator lights of the function icons work as normal. The button lights up.
- The product is ready to use.