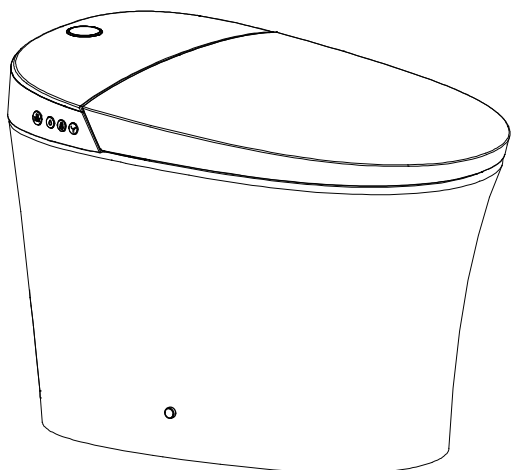


List of materials



Main Unit



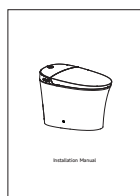
Remote Control Components



Sealing Flange



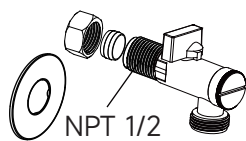
Installation Cardboard



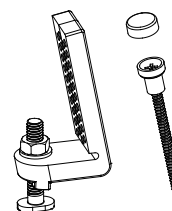
Installation Manual



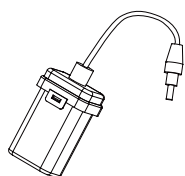
Braided Hose
(Installed)



Angle Valve



Mounting Kit

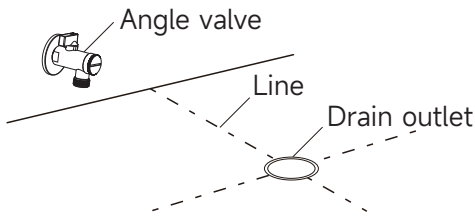


Battery Box
(battery not supplied)

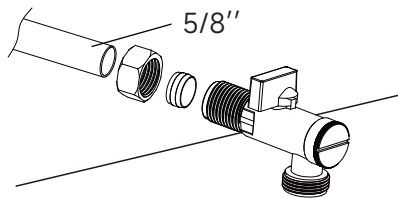
Toilet installation

1. Installation of angle valve

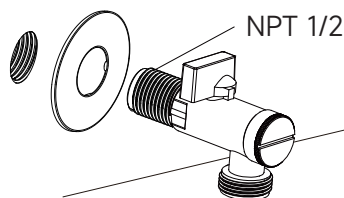
- Draw drain outlet centerline on the floor. Install angle valve at proper position on the wall according to the dimension of toilet.



- Installation Method 1:



- Installation Method 2:

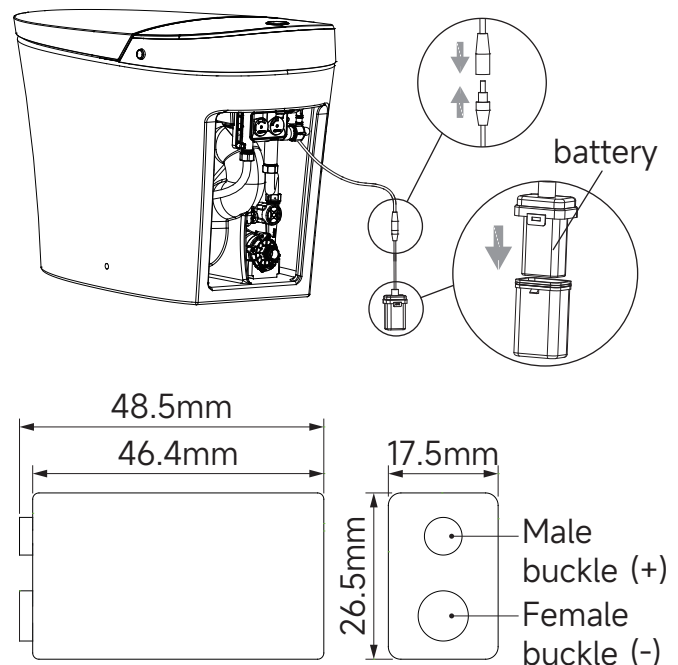


Note:

1. Please use the supplied angle valve when installing this toilet. Use of another angle valve not including a filter may result in blockages in the toilet and bidet waterways.
2. If replacing an existing angle valve, please contact a professional for installation.

2. Installation of battery box

- Before activating the power-off flushing function, install a 9V alkaline battery (not supplied) into the battery box in advance.
- Take out the battery connection cable from the rear side of seat cover. And connect it to the female end of the battery box, ensuring that it is plugged in place.
- Remove the sticker on the velcro at the bottom of the battery box and place it in the proper position of the ceramic back for easy removal.

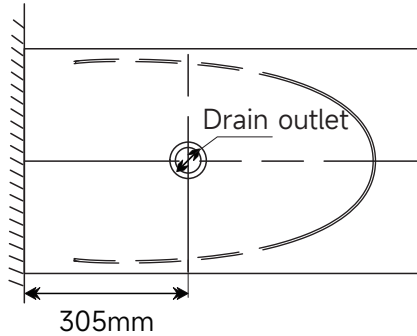


Note:

1. It is recommended to hire professional personnel for this operation.
2. It is recommended to use 9V high-quality dry battery, such as models 6LR61 or 6F22.
3. There is no battery installed in the battery box in the configuration. It should be purchased by the customer before installation.
4. It is recommended to replace the battery every two years, otherwise there may be a risk of leakage.

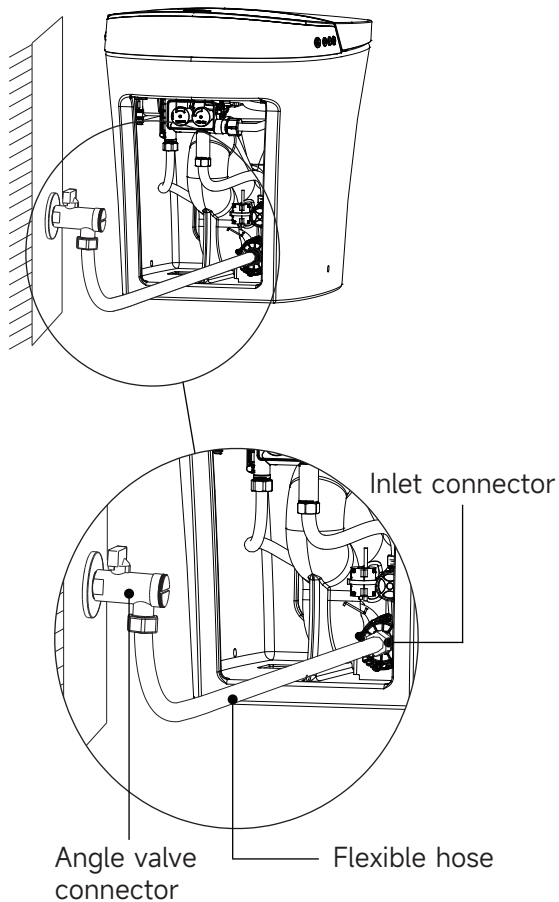
3. Cardboard installation

- Align cardboard with the centerline of drain outlet.
- Draw contour line according to cardboard.



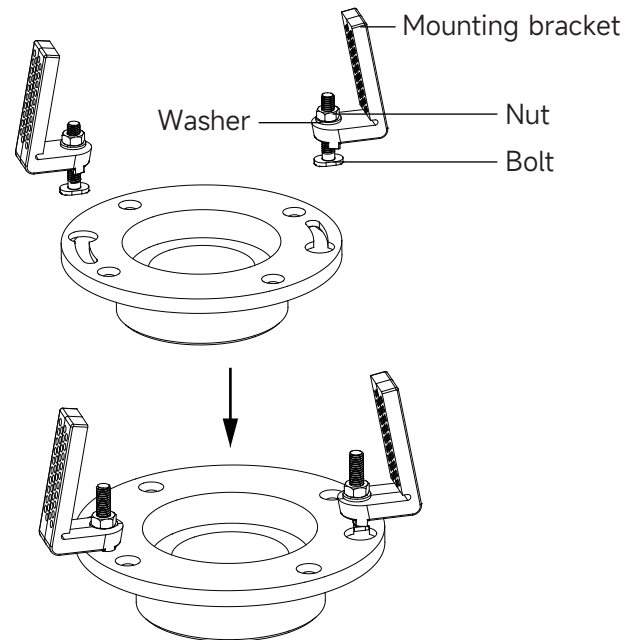
4. Hose

- Connect the water inlet and angle valve of the toilet with the matching hose and tighten it.



5. Mounting bracket installation

- Assemble the mounting bracket with bolts and then install them to the pre-installed flange plate on the ground and lock tight with nuts.

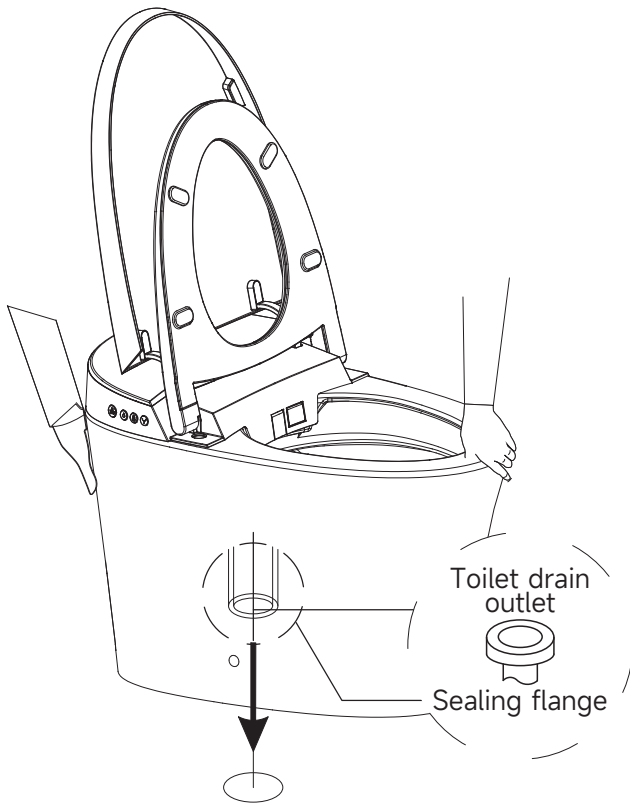


Note:

Please use this supplied water supply hose, to ensure optimal flushing performance.

6. Ceramic toilet installation

- Install a sealing flange into drain outlet.
- Install ceramic toilet on the corresponding position.



Note:

1. Two people are required to carry the toilet.
2. Please clean up the drain outlet;
3. Please make sure ceramic toilet outlet sits perfectly on drain outlet.

7. Screw installation

- Put the screw through the fixing sleeve and then install it through the holes (on both sides of the toilet ceramic) to the mounting bracket on the ground. Lock tight.
- Install the decorative cap on the fixing sleeve.

