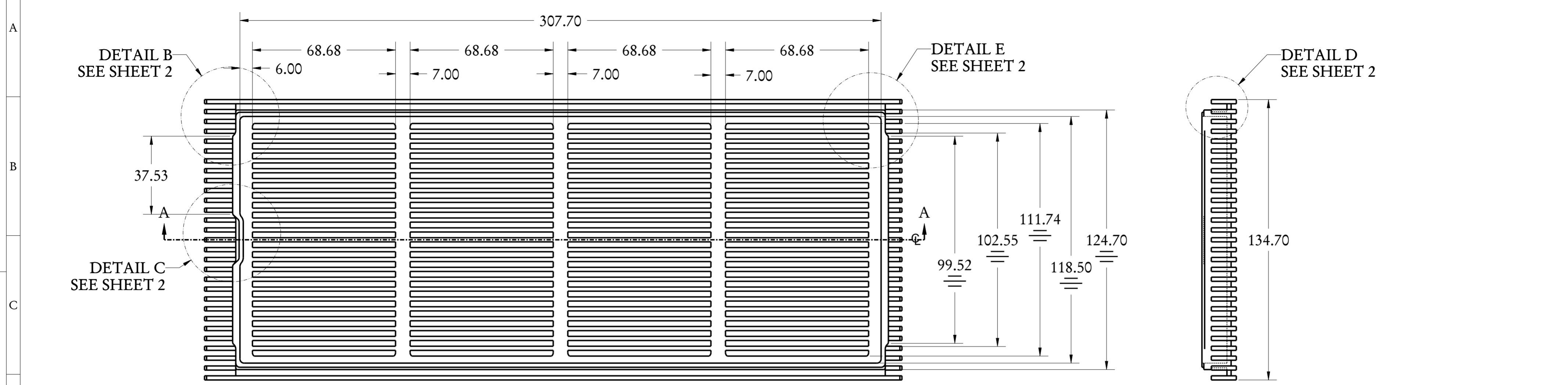
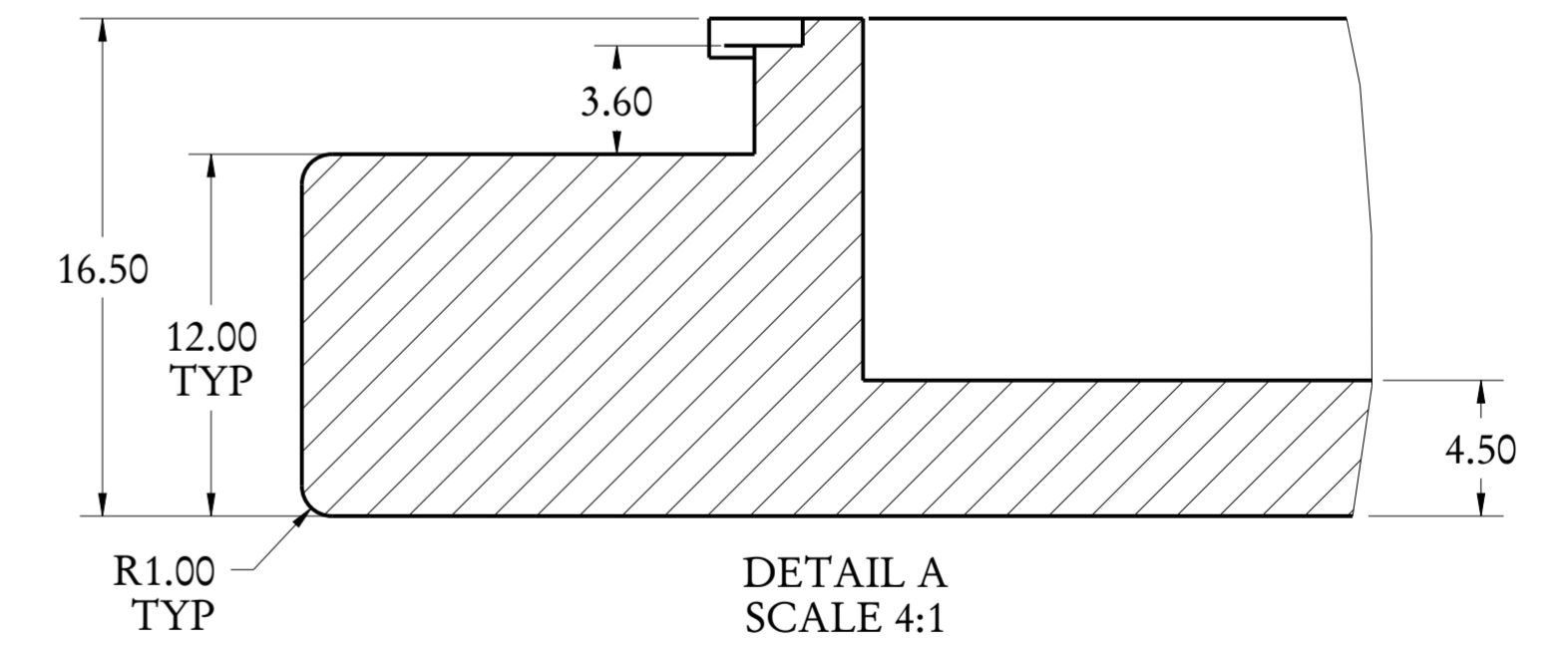
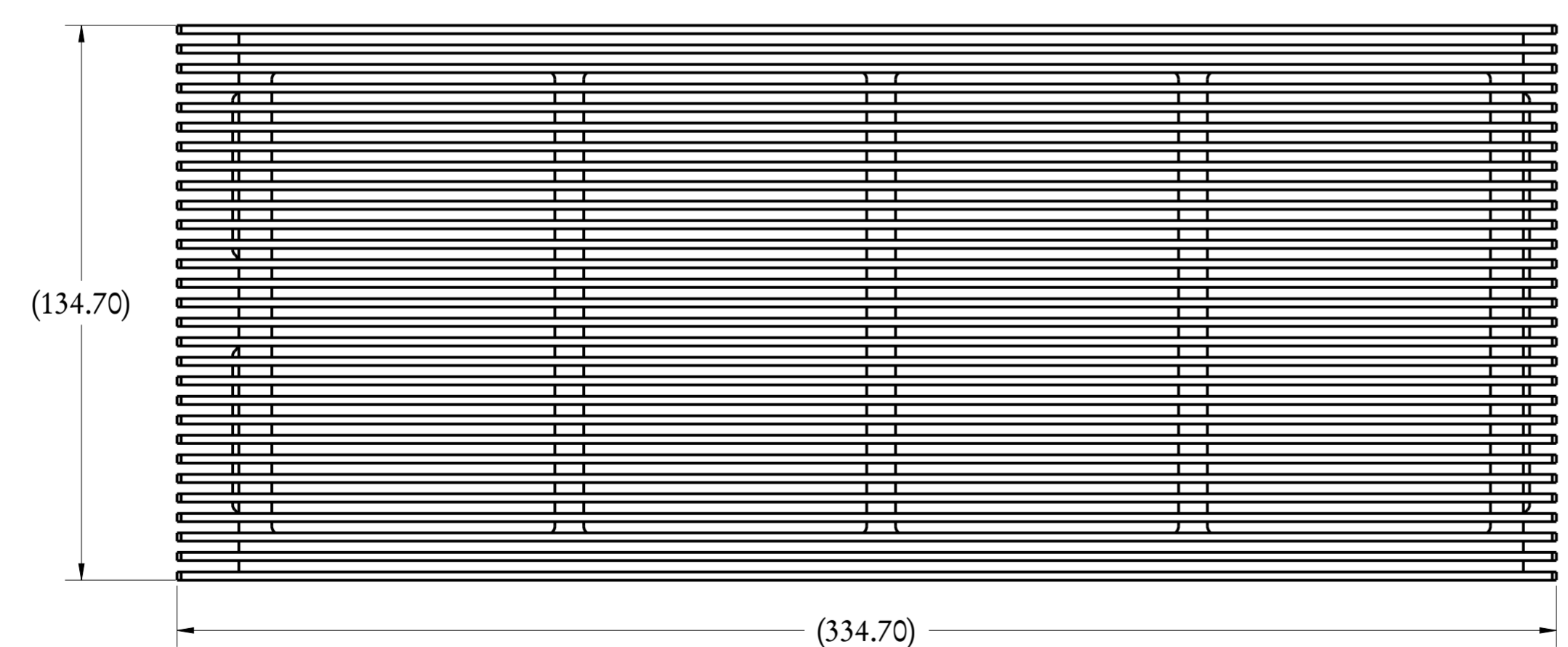
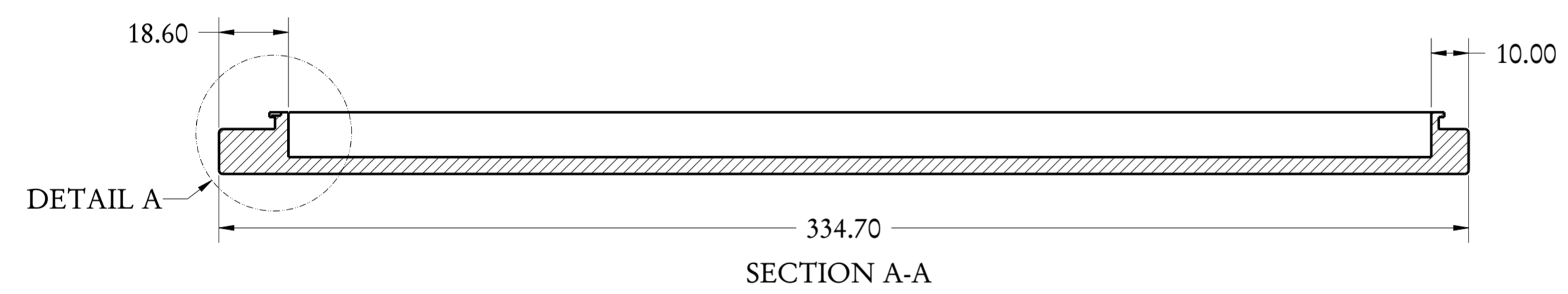


1 2 3 4 5 6 7 8 9 10 11 12



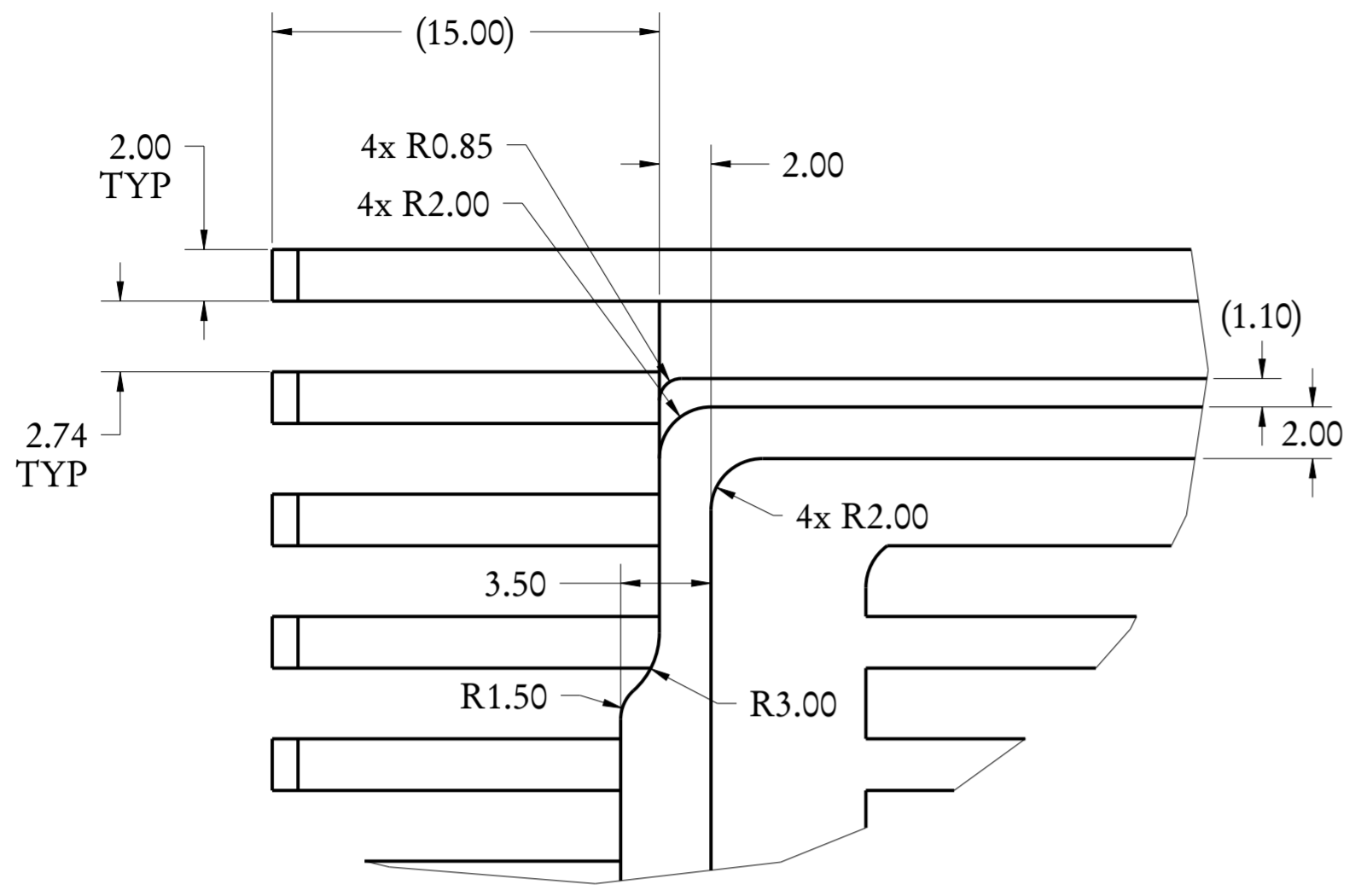
SCALE 3:4



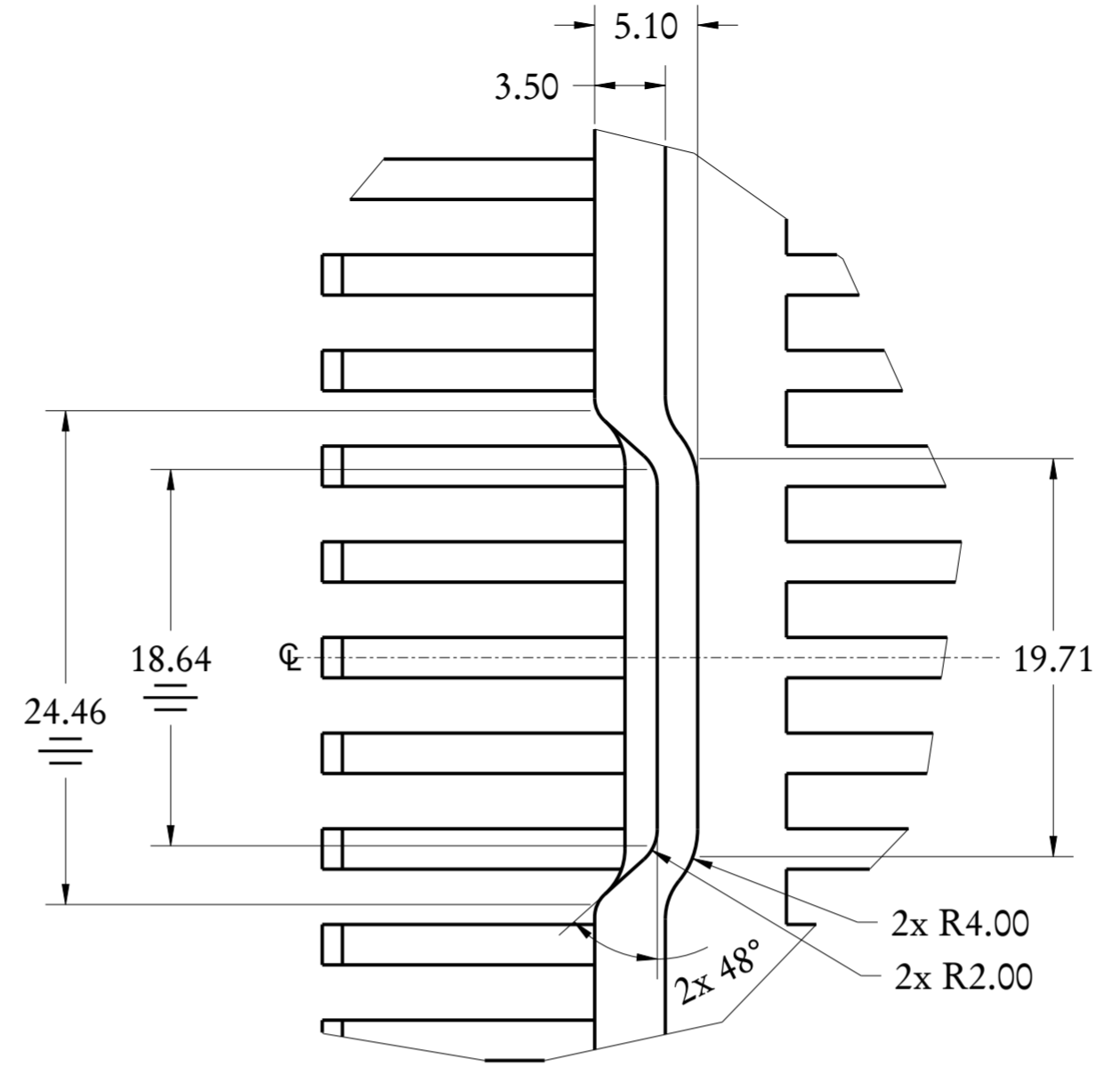
NOTE:
1. SHARP EDGES, CORNERS AND BURRS NOT PERMITTED.

All Dimensions are in MM		Scale	1:1		Created by	DR_3FC	Date	Dec-16-23
Mass	Material	Finish		APP. (DGN)	(DR_3FC)			
kg				APP. (DRW)	(DR_3FC)			
T1_COVERGRILL				Drw. Created By	(DR)			
				Asm.Drw. No.				
FMDworks.com				Drw. No.	T1_COVERGRILL			
				Part No.	T1_COVERGRILL			
				Revision No.	V1			

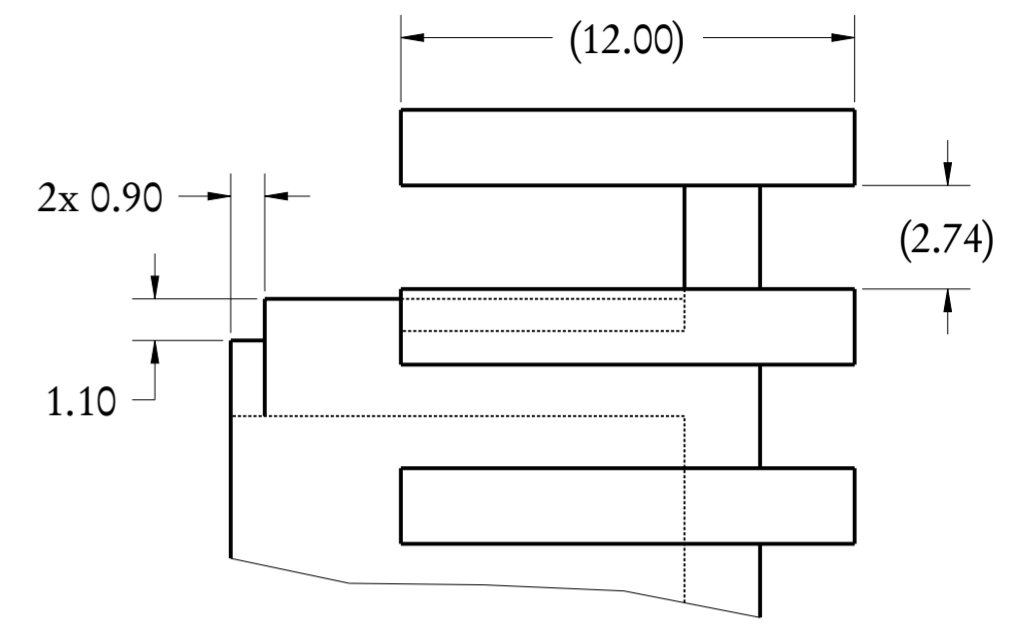
1 2 3 4 5 6 7 8 9 10 11 12



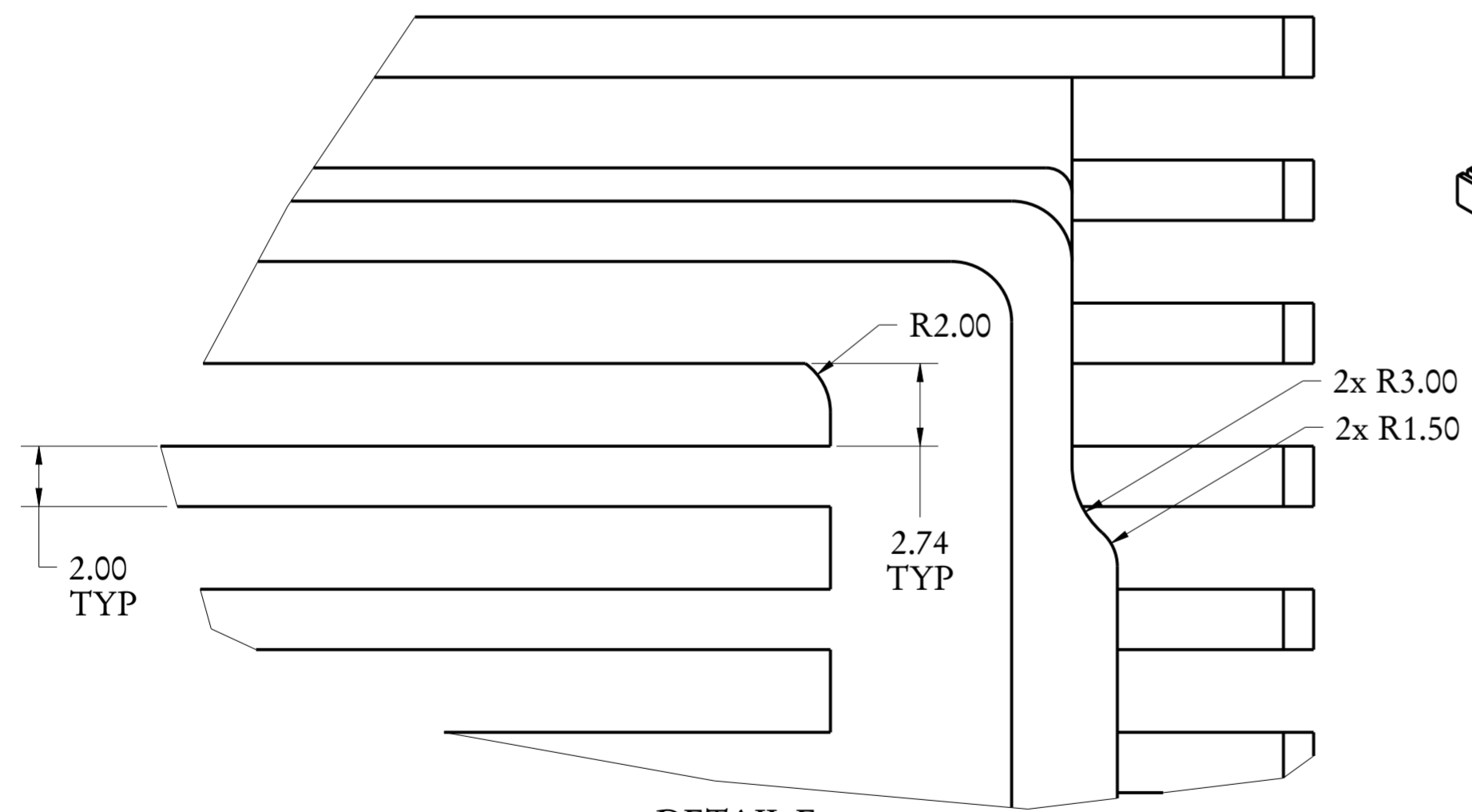
DETAIL B
SCALE 4:1



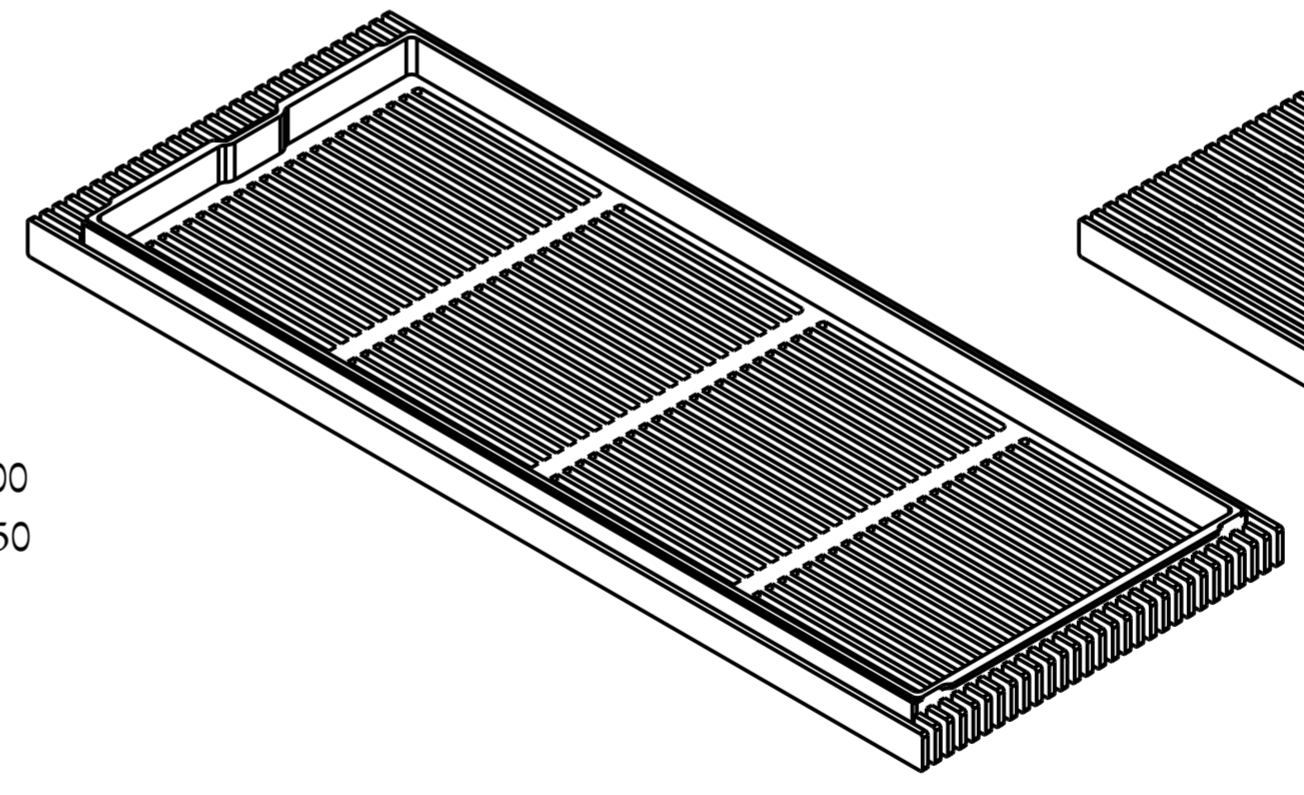
DETAIL C
SCALE 3:1



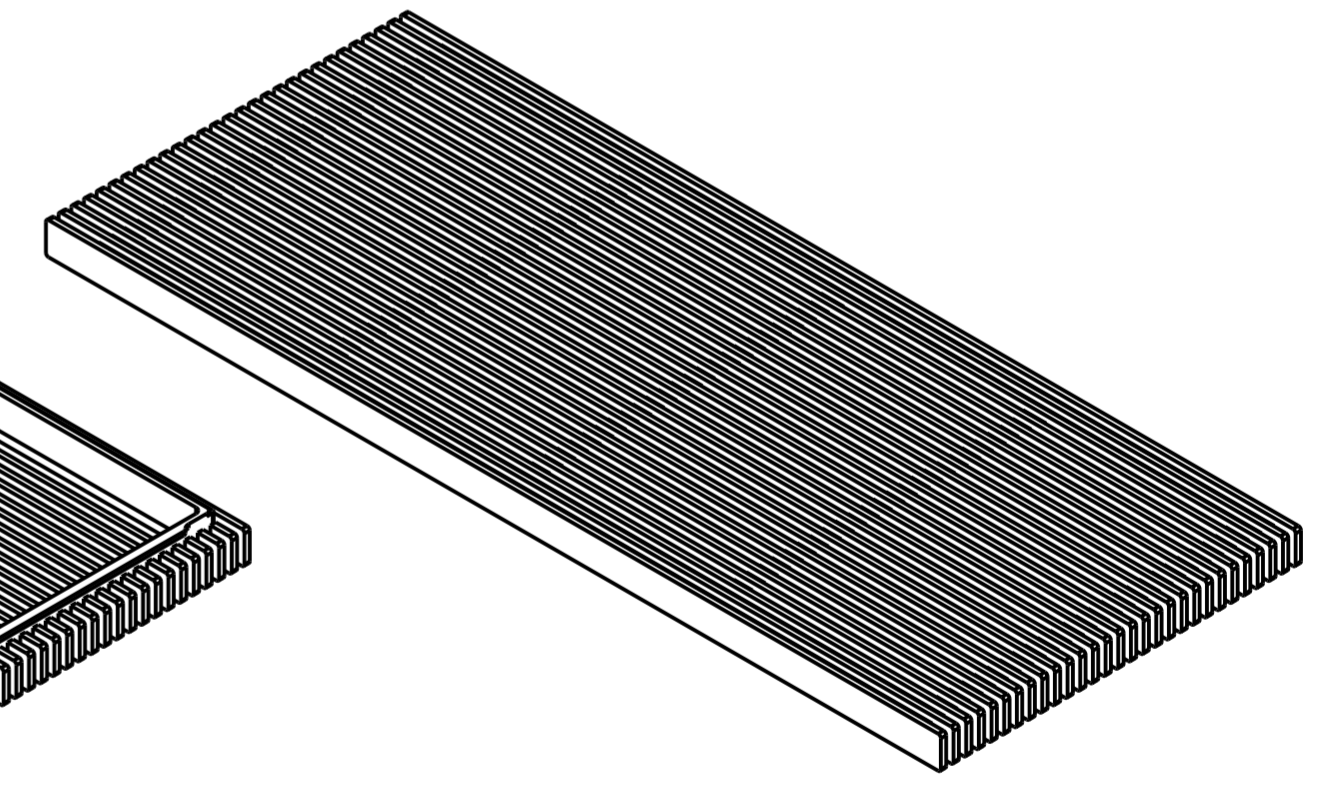
DETAIL D
SCALE 5:1



DETAIL E
SCALE 5:1



ISOMETRIC
SCALE 1:2



ISOMETRIC TURNOVER VIEW
SCALE 1:2

NOTE:
1. SHARP EDGES, CORNERS AND BURRS NOT PERMITTED.

All Dimensions are in MM		Scale	1:1		Created by	DR_3FC	Date	Dec-16-23
Mass	Material	Finish		APP. (DGN)	(DR_3FC)			
kg				APP. (DRW)	(DR_3FC)			
T1_COVERGRILL				Drw. Created By	(DR)			
				Asm.Drw. No.				
FMDworks.com				Drw. No.	T1_COVERGRILL			
				Part No.	T1_COVERGRILL			
				Revision No.	V1			