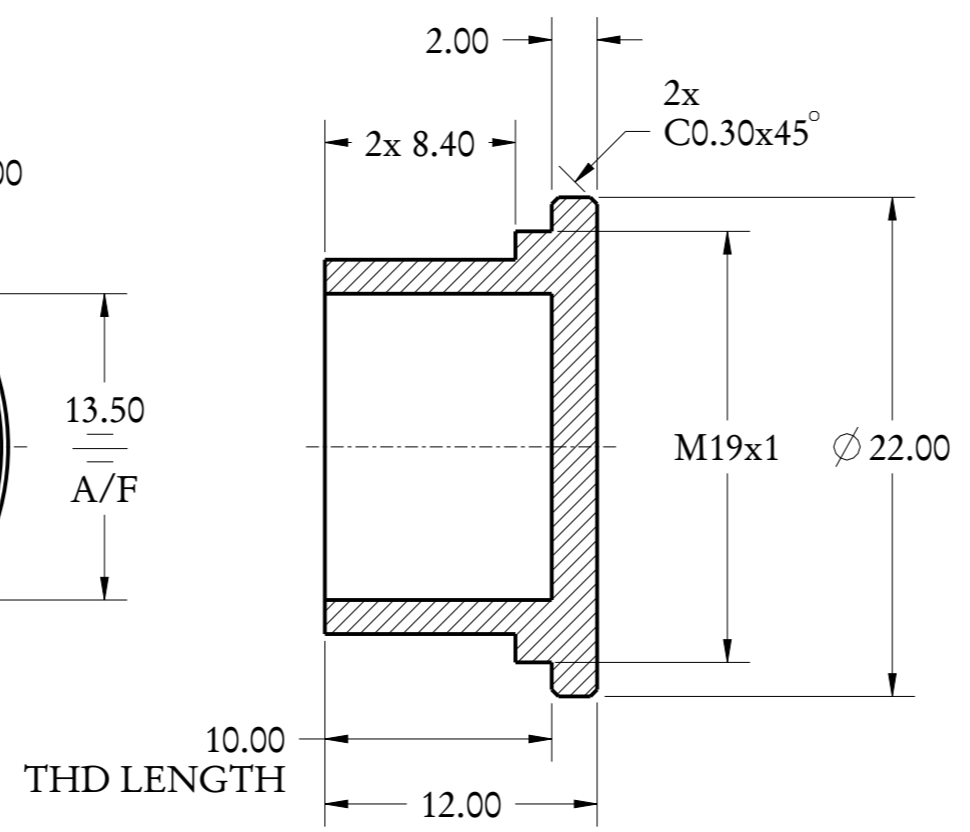
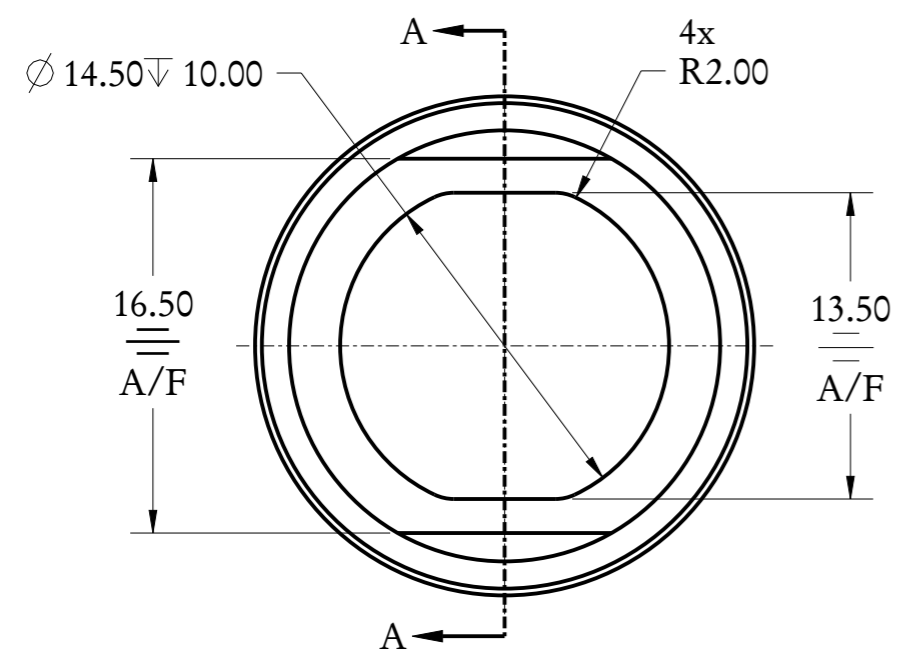
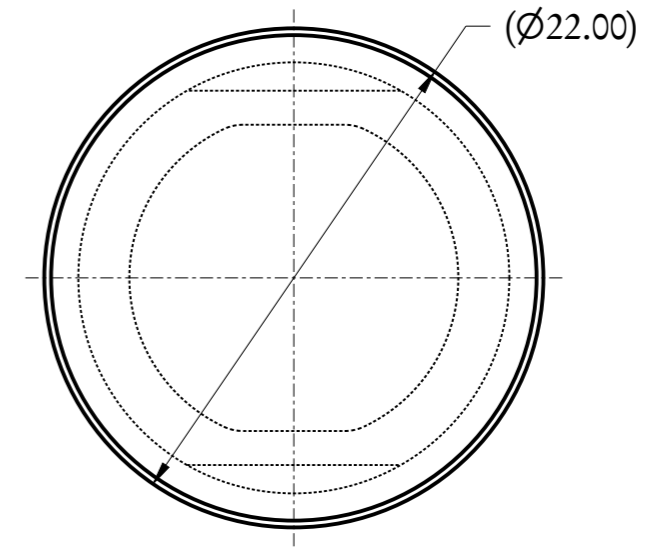


BEFORE THREAD

AFTER THREAD



SECTION A-A



NOTE:
 1. M19x1 (PITCH) EXTERNAL THREAD.
 2. SHARP EDGES, CORNERS AND BURRS NOT PERMITTED.

All Dimensions are in MM		Scale	3:1		Product Design	DR_3FC	Date	2023-Dec-14
Mass	Material	Finish		APP. (DGN)	(DR_3FC)			
kg				APP. (DRW)	(DR_3FC)			
T1_V20_M19_COVER_TY1_V3				Drawing Created By	(DR)			
				Assy. Drw. No.				
				Drw. No.	T1_V20_M19_COVER_TY1_V3			
				Part No.	T1_V20_M19_COVER_TY1_V3			
				Revision No.	V3			

FMDworks.com