

Ehahō

LED WHEEL RING LIGHT



(Operation Guide Video)

LED Wheel Ring Light

Includes

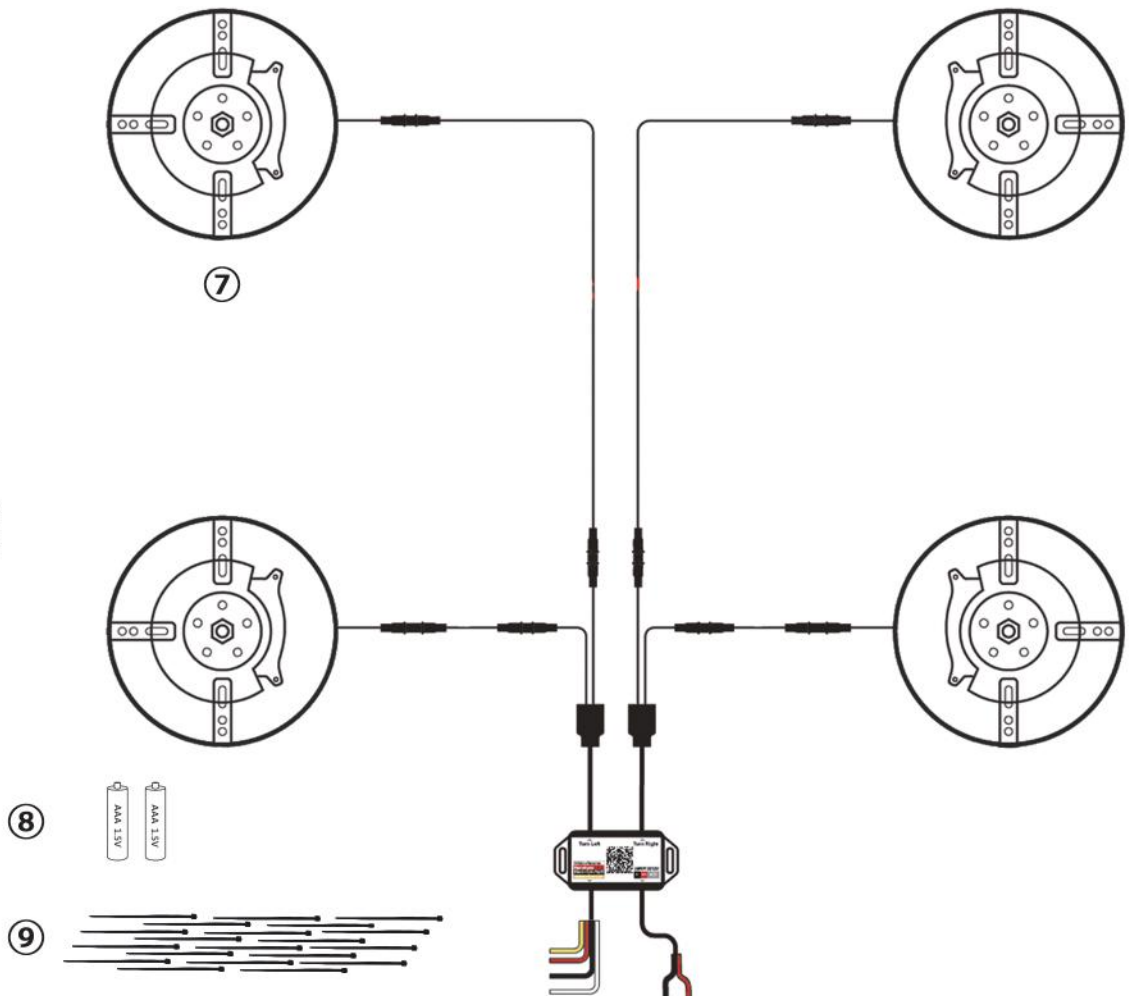
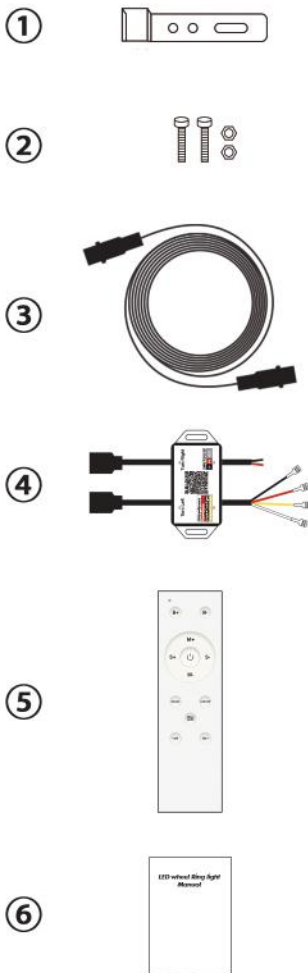
Thank you for purchasing our Universal LED pure white Wheel Ring Light Kit. After receiving your package, please open it and check if the product has been damaged during shipping. Use the accessory list in the instruction manual to ensure that you have received all the necessary parts. If there are any issues or concerns, please do not hesitate to contact us at our customer support email: support@ehaho.com.

PARTS LIST:

1. Install Snap Sleeve X 22
2. Screws X 44
3. Extension Cord X 4
4. Power Box X1
5. RF Remote X1
6. Manual X1
7. LED WHEEL RING KIT X4
8. AAA Battery x 2
9. CABLE ZIP TIES X 20

POSSIBLE REQUIRED TOOLS :

- Screwdriver
- Power Drill
- 6mm Drill Bit
- Wire Cutter and Crimps
- Various Tools to Remove Brake Components
- Jack and Jack Stands
- Tape Measure
- Safety Gloves
- Center Punch or Felt-tip Marker
- Protective Eye wear



Warning

NOTE: THIS UNIVERSAL KIT WILL FIT MANY DIFFERENT VEHICLES AND INVOLVES MAJOR VEHICLE MODIFICATION AND REQUIRES MECHANICAL SKILLS, PART OF THE BRAKE SYSTEM WILL HAVE TO BE REMOVED AND REINSTALLED DURING THE INSTALLATION OF THE LIGHT KIT. FUTURE SERVICE OF THE BRAKE SYSTEM WILL REQUIRE REMOVAL OF THE KIT. IF YOU ARE NOT CONFIDENT IN YOUR SKILLS, CONTACT A PROFESSIONAL INSTALLER.

CHECK YOUR STATE AND LOCAL LAWS BEFORE INSTALLING THIS LED WHEEL RING KIT. EVERY STATE HAS DIFFERENT POLICIES AND LAWS IN PLACE REGARDING AFTERMARKET VEHICLE ACCESSORIES. EHAHO IS NOT RESPONSIBLE FOR ANY FINES THAT YOU MAY OCCUR WHILE USING THIS LIGHTING KIT. THIS KIT IS FOR OFF-ROAD AND SHOW USE ONLY.

THE ROTOR DIAMETER MUST BE 11" OR SMALLER AND THE WHEEL DIAMETER 17" OR LARGER FOR THE 14" KIT.

THE ROTOR DIAMETER MUST BE 13" OR SMALLER AND THE WHEEL DIAMETER 19" OR LARGER FOR THE 15.5" KIT.

THE ROTOR DIAMETER MUST BE 15" OR SMALLER AND THE WHEEL DIAMETER 21" OR LARGER FOR THE 17" KIT.

INCLUDE YOUR CALIPER WHEN MEASURING FOR FITMENT AS LARGER CALIPERS MAY INTERFERE WITH WHEEL RING MOUNTING. PRIOR TO INSTALLATION, ENSURE THE VEHICLE HAS BRAKE DUST SHIELDS THAT ARE IN GOOD CONDITION BEHIND THE ROTORS.

Step 1. Before installing the wheel rings onto your vehicle, it is recommended to inspect the product for any defects, functional issues, and proper usage. Temporarily connect the Wheel Ring Light Kit to a 12-volt power source and test for full functionality. This will give you a better understanding of the product and help prevent any surprises when handling the vehicle.

Step 2. Once you are ready to install. Disconnect the negative side of the vehicle's battery.

Step 3. Using a floor jack and jack stands, or an automotive lift, safely raise and support the vehicle.

Step 4. Remove the wheels from the vehicle. It is easier to take all 4 wheels off at the same time to install this wheel ring kit although it is not necessary by any means.

Step 5. Check the dust cover, and test fit the wheel rings to make sure you will have proper clearance from all moving parts, as well as the brake calipers. You should start figuring out where to install here. There are additional pre-tapped holes in the wheel ring which will allow you to adjust the position of the mounting bracket to best suit your vehicle.

Step 6. Remove the brake caliper and brake rotor in order to gain complete access to the brake dust shield. Remove the caliper bolts and secure the caliper so that it does not fall or bend brake lines. Do not remove the brake line from the caliper. Remove the rotor and set aside.

Step 7. All mounting brackets must be mounted to the backside of the dust shield. All mounting hardware must go through the dust shield from the front and into the wheel ring bracket. Ensure there is enough clearance between the mounting screw head and the brake rotor. Every vehicle is different and additional modification and adjustments of the brackets may be necessary for clearance of brake and suspension components

Step 2 Installation of the wheel lights

Step 8. The mounting brackets will be installed behind the dust shield using the included M4 Mounting Hardware. Mark the hardware mounting locations on the brake dust shield with a marker and a punch. Drill the necessary 4mm hole for the hardware to go through. Again, ensure there is proper clearance between the rotor and the hardware you are using, and install these brackets to the brake dust shield. Not all brackets are going to be used, but be sure to use at least 3 brackets in order to keep the ring secure.

Step 9. Ensure the wire is in an upward position facing forward. Check to ensure you have maintained clearance from the caliper and any moving parts.

Tip : When the ring is mounted there should be a minimum of a $\frac{1}{4}$ " " gap between the caliper and the wheel ring.

Step 10. Once clearance is verified, continue to mount and tighten the brackets to the dust shield using the included hardware.

Step 11. Run the wires towards the area you will mount the Power Box. **MAKESURE** that you connect the wires, Arrow to Arrow when connecting. Use wire ties to keep the wires away from moving parts and heat. Ensure there is at least 6 inches between any moving parts or heat sources and the wheel ring wires.

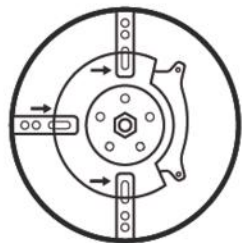
(Tips: For the running direction of the left and right wheels to be consistent. The front and rear wheels on the left are installed clockwise according to the indicator arrows on the surface of the light strip, and the front and rear wheels on the right are installed counterclockwise according to the indicator arrows on the surface of the light strip.)

Step 12. Repeat installation steps 8-11 for the remaining 3 wheels.

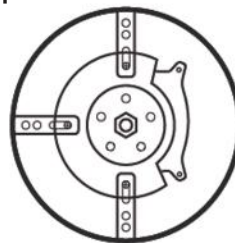


Tips: Illustrations

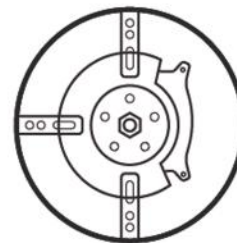
Step 13. Once all wheel rings are installed, reinstall any brake components that were removed. Torque all brake components to manufacturer specifications.



**MARK AND DRILL
HOLES IN DUST COVER**



**SECURE RING WITH
MOUNTING HARDWARE**



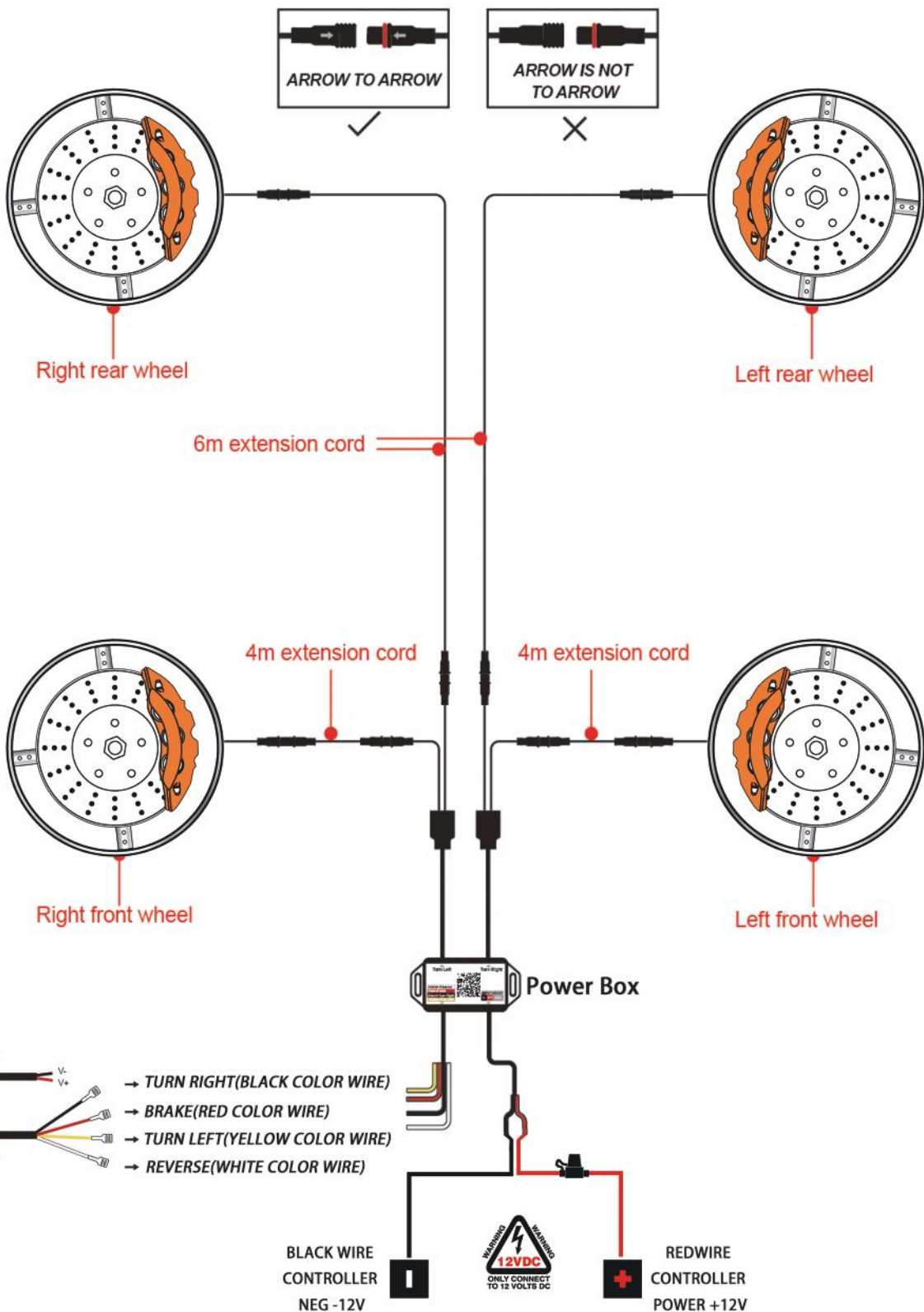
**REINSTALL ROTOR
AND CALIPER**

Step 14. Reinstall the wheels. Rotate the wheel to ensure your rim and wheel ring have proper clearance, paying close attention to the location of any wheel balance weights that might have been installed.

Step 15. Safely lower the vehicle.

WIRE DIAGRAM

ALIGN ARROWS
before engaging white light connectors



Functional Description

Turn Right : Right wheel blinking with warm white light .

Turn Left : Left wheel blinking with warm white light.

Brake: All wheels alternating between cold white light and warm white light blinking.

Reverse: All wheels are constantly illuminated with cold white light.

Step 3 Connect the power supply

Step 16. Connect the Power Box red power wire to a positive (+) 12 volt source,

Tip: When connected to a constant source, you will need to physically turn the wheels lights off via the Remote or switch every time as it will not shut off when your vehicle does.

If you are running the wires to your vehicle's battery, the wires must go through the firewall by using an existing grommet or by drilling a hole and adding a new grommet. Grommets are available at any auto parts store.

Be sure to use 16 or 18 gauge automotive grade wiring if you need to extend the red and black wires. Be sure to install the fuse within 6 inches of the battery so it is easy to find.

Step 17. Connect the black wire to a suitable, unpainted metal surface under the dash at any main bracket or grounding block. If you are connecting the wires to your vehicle's battery, connect the black wire to the negative (-) terminal of the battery or any engine ground.

Step 18. Reconnect the battery.

Step 19. Test for operation.

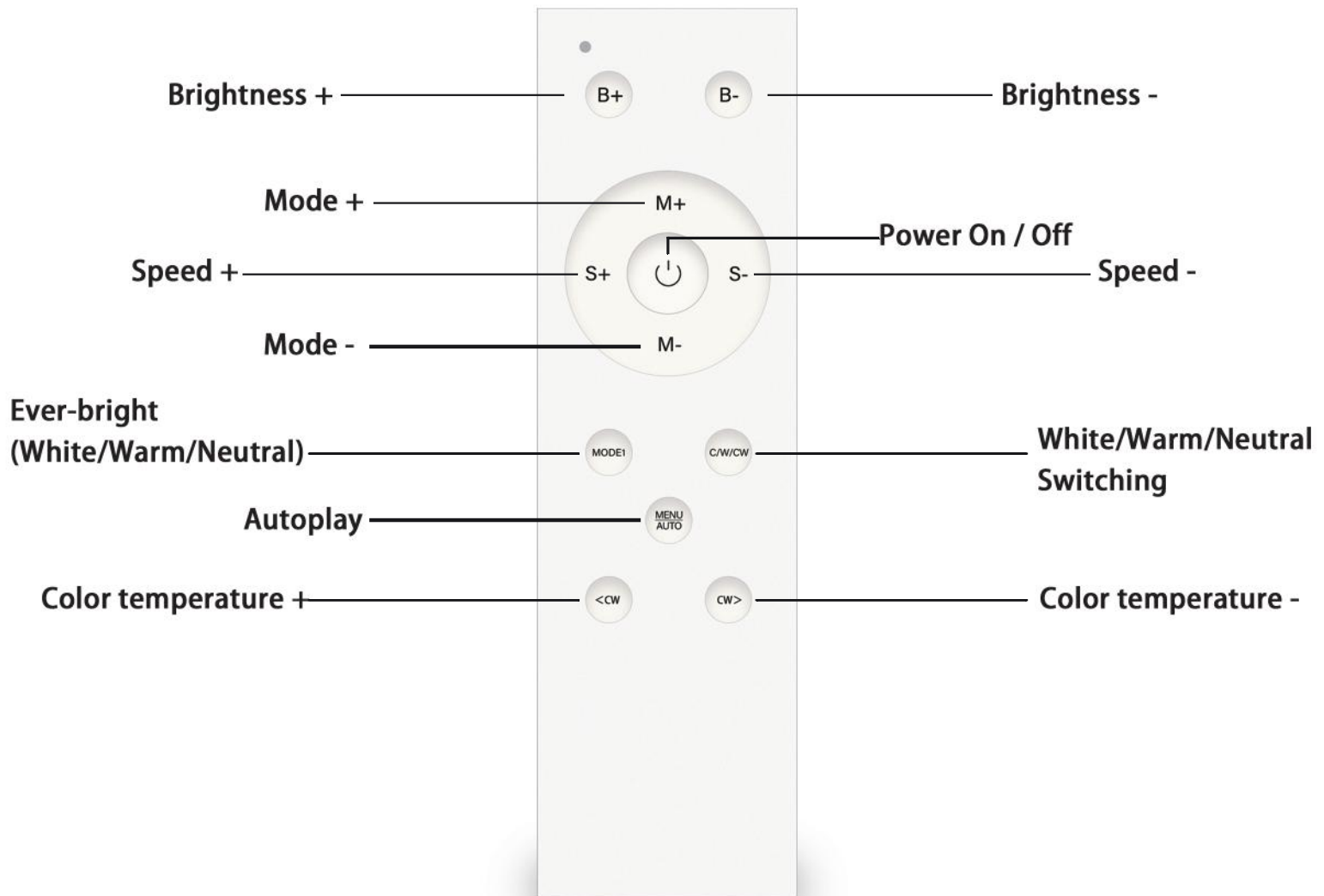
Step 20. Now that you have your new LED Wheel Ring Kit installed, wires routed and wire connectors assembled.

This manual is a guide only to show you the fastest way to install these products on your vehicle. As with any installation. There are usually several ways to install a product and achieve the same result and each installer has his or her own experience and method of doing it.

If any problems are found.

Or if you have installation problems, please contact our brand mailbox: support@ehaho.com

Remote Control Function Introduction



Note: Our remote control requires 2Pcs AAA batteries. Please install the batteries before using the remote control. (2Pcs AAA batteries are included in our package. Please check for any missing items upon receiving the package. If anything is missing, please contact us)