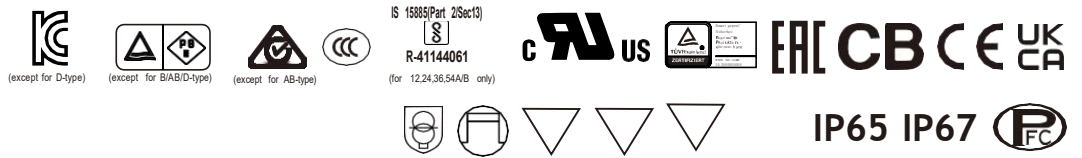




150W Constant Voltage + Constant Current LED Driver

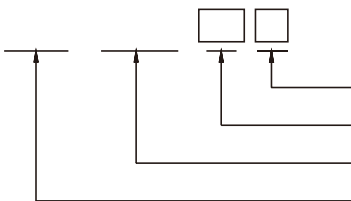
**HLG-150 H** series



Metal housing with class *l* design

current output. HLG-150H operates from 90~305VAC and offers models with different rated voltage ranging between 12V and 54V. Thanks to the high efficiency up to 94%, with the fanless design, the entire series is able to operate for -40°C ~ +90°C case temperature under free air convection. The design of metal housing

and IP67/IP65 ingress protection level allows this series to fit both indoor and outdoor applications. HLG-150H is equipped with various function options, such as dimming methodologies, so as to provide the optimal design flexibility for LED lighting system.



		I	
		I	
B			
		I	
D			



150W Constant Voltage + Constant Current LED Driver

**HLG-150H series**

		<input type="checkbox"/>	<input type="checkbox"/>	<input type="checkbox"/>	<input type="checkbox"/>	<input type="checkbox"/>	<input type="checkbox"/>	<input type="checkbox"/>	<input type="checkbox"/>	<input type="checkbox"/>
<b>SPECIFICATION</b>										
<b>MODEL</b>		HLG-150H-12	HLG-150H-15	HLG-150H-20	HLG-150H-24	HLG-150H-30	HLG-150H-36	HLG-150H-42	HLG-150H-48	HLG-150H-54
<b>DC VOLTAGE</b>		12V	15V	20V	24V	30V	36V	42V	48V	54V
<b>CONSTANT CURRENT REGION</b> Note.4		6 ~12V	7.5 ~ 15V	10 ~ 20V	12 ~ 24V	15 ~ 30V	18 ~ 36V	21 ~ 42V	24 ~ 48V	27 ~ 54V
<b>RATED CURRENT</b>		12.5A	10A	7.5A	6.3A	5A	4.2A	3.6A	3.2A	2.8A
<b>RATED POWER</b>		150W	150W	150W	151.2W	150W	151.2W	151.2W	153.6W	151.2W
<b>RIPPLE &amp; NOISE (max.)</b> Note.2		150mVp-p	150mVp-p	150mVp-p	150mVp-p	200mVp-p	200mVp-p	200mVp-p	200mVp-p	200mVp-p
<b>VOLTAGE ADJ. RANGE</b>		Adjustable for A/AB-Type only (via built-in potentiometer)								
<b>CURRENT ADJ. RANGE</b>		Adjustable for A/AB-Type only (via built-in potentiometer)								
		7.5 ~ 12.5A	6 ~ 10A	4.5 ~ 7.5A	3.8 ~ 6.3A	3 ~ 5A	2.5 ~ 4.2A	2.16 ~ 3.6A	1.92 ~ 3.2A	1.68 ~ 2.8A
<b>VOLTAGE TOLERANCE</b> Note.3		±2.5%	±2.0%	±1.0%	±1.0%	±1.0%	±1.0%	±1.0%	±1.0%	±1.0%
<b>LINE REGULATION</b>		±0.5%	±0.5%	±0.5%	±0.5%	±0.5%	±0.5%	±0.5%	±0.5%	±0.5%
<b>LOAD REGULATION</b>		±2.0%	±1.5%	±1.0%	±0.5%	±0.5%	±0.5%	±0.5%	±0.5%	±0.5%
<b>SETUP, RISE TIME</b> Note.6		1000ms,200ms/115VAC 500ms,200ms/230VAC								
<b>HOLD UP TIME (Typ.)</b>		16ms / 115VAC, 230VAC								
<b>VOLTAGE RANGE</b> Note.5		90 ~ 305VAC 127 ~ 431VDC (Please refer to "STATIC CHARACTERISTIC" section)								
<b>FREQUENCY RANGE</b>		47 ~ 63Hz								
<b>POWER FACTOR (Typ.)</b>		PF ≥ 0.98/115VAC, PF ≥ 0.95/230VAC, PF ≥ 0.92/277VAC @ full load (Please refer to "POWER FACTOR (PF) CHARACTERISTIC" section)								
<b>TOTAL HARMONIC DISTORTION</b>		THD < 20% (@ load ≥ 60% / 115VAC,230VAC; @ load ≥ 75% / 277VAC) (Please refer to "TOTAL HARMONIC DISTORTION (THD)" section)								
<b>EFFICIENCY (Typ.)</b>		91.5%	92%	93%	93%	93.5%	93.5%	94%	94%	94%
<b>AC CURRENT (Typ.)</b>		1.7A / 115VAC		0.75A / 230VAC		0.7A / 277VAC				
<b>INRUSH CURRENT (Typ.)</b>		COLD START 65A(t <sub>width</sub> =425 μs measured at 50% I <sub>peak</sub> ) at 230VAC; Per NEMA 410								
<b>MAX. No. of PSUs on 16A CIRCUIT BREAKER</b>		4 units (circuit breaker of type B) / 7 units (circuit breaker of type C) at 230VAC								
<b>LEAKAGE CURRENT</b>		<0.75mA / 277VAC								
<b>OVER CURRENT</b>		95 ~ 108% Constant current limiting, recovers automatically after fault condition is removed								
<b>SHORT CIRCUIT</b>		Constant current limiting, recovers automatically after fault condition is removed								
<b>OVER VOLTAGE</b>		14 ~ 17V	18 ~ 21V	23 ~ 27V	28 ~ 34V	34 ~ 38V	41 ~ 46V	47 ~ 53V	54 ~ 63V	59 ~ 65V
<b>OVER TEMPERATURE</b>		Shut down o/p voltage with auto-recovery or re-power on to recovery								
<b>WORKING TEMP.</b>		T <sub>case</sub> = -40 ~ +90°C (Please refer to "OUTPUT LOAD vs TEMPERATURE" section)								
<b>MAX. CASE TEMP.</b>		T <sub>case</sub> = +90°C								
<b>WORKING HUMIDITY</b>		20 ~ 95% RH non-condensing								
<b>STORAGE TEMP., HUMIDITY</b>		-40 ~ +80°C, 10 ~ 95% RH								
<b>TEMP. COEFFICIENT</b>		±0.03%/°C (0 ~ 60°C)								
<b>VIBRATION</b>		10 ~ 500Hz, 5G 12min./1cycle, period for 72min. each along X, Y, Z axes								
<b>SAFETY STANDARDS</b>		UL8750(type"HL"), CSA C22.2 No. 250.0-08; BS EN/EN 61347-1, BS EN/EN 61347-2-13,AS/NZS 61347-1(except for AB-type), AS/NZS 61347-2-13(except for AB-type) independent;GB19510.1,GB19510.14;IP65 or IP67; J61347-1, J61347-2-13(except for B, AB and D-type),BIS IS15885( for 12,24,36,54A/B only), EAC TP TC 004; KC61347-1,KC61347-2-13(except for D-type) approved								
<b>WITHSTAND VOLTAGE</b>		I/P-O/P:3.75KVAC I/P-FG:2KVAC O/P-FG:1.5KVAC								
<b>ISOLATION RESISTANCE</b>		I/P-O/P, I/P-FG, O/P-FG:100M Ohms / 500VDC / 25°C/ 70% RH								
<b>EMC EMISSION</b>		Compliance to BS EN/EN55015, BS EN/EN55032 (CISPR32) Class B, BS EN/EN61000-3-2 Class C (@ load ≥ 60%) ; BS EN/EN61000-3-3 GB17743 and GB17625.1, EAC TP TC 020								
<b>EMC IMMUNITY</b>		Compliance to BS EN/EN61000-4-2,3,4,5,6,8,11, BS EN/EN61547, BS EN/EN55024, light industry level (surge immunity Line-Earth 4KV, Line-Line 2KV), EAC TP TC 020								
<b>MTBF</b>		2176.1K hrs min. Telcordia SR-332(Belcore) ; 166.4K hrs min. MIL-HDBK-217F (25°C)								
<b>DIMENSION</b>		228*68*38.8mm								
<b>PACKING</b>		1.15Kg; 12pcs/14.8Kg/0.8CUFT								
<b>NOTE</b>		°C								

Buy website address: <https://reissopto-led.com/products/meanwell-hlg-150h-12a-switching-power-supply-for-led-screen>

※ Product Liability Disclaimer: For detailed information, please refer to <https://www.meanwell.com/serviceDisclaimer.aspx>

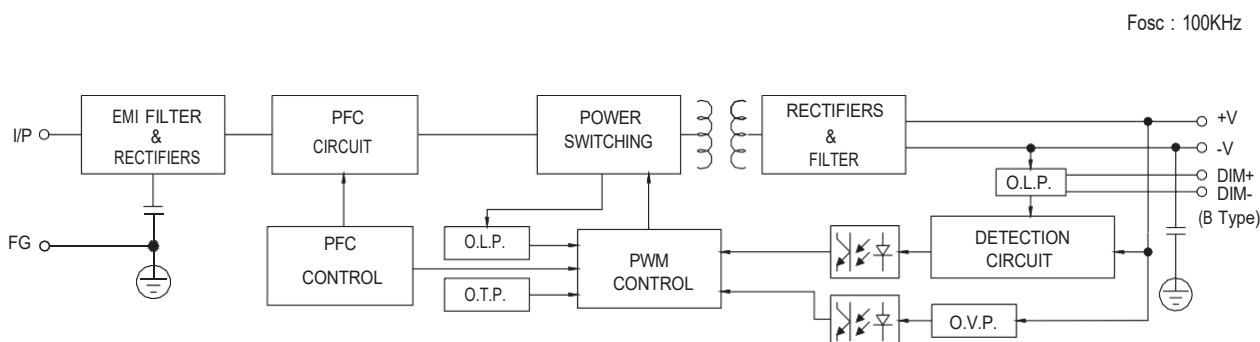
File Name: HLG-150H-SPEC 2022-02-18



## 150W Constant Voltage + Constant Current LED Driver

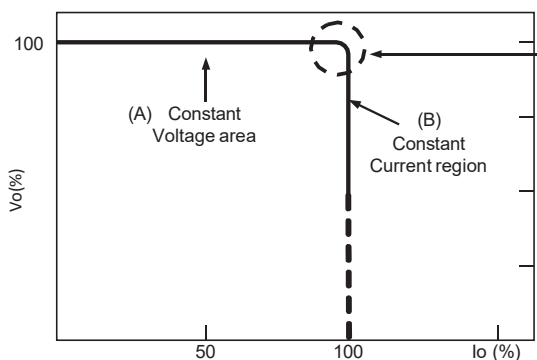
# H LG-150H series

### ■ BLOCK DIAGRAM



### ■ DRIVING METHODS OF LED MODULE

※ This series is able to work in either Constant Current mode (a direct drive way) or Constant Voltage mode (usually through additional DC/DC driver) to drive the LEDs.

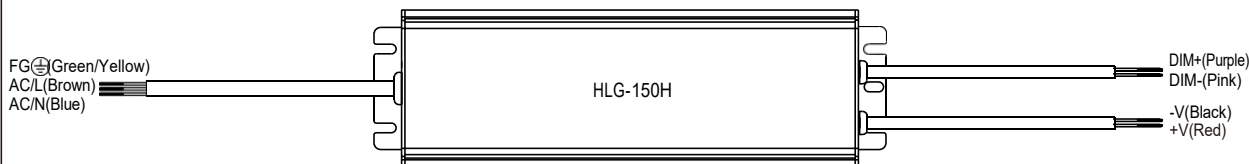


Typical output current normalized by rated current (%)

In the constant current region, the highest voltage at the output of the driver depends on the configuration of the end systems.

Should there be any compatibility issues, please contact MEAN WELL.

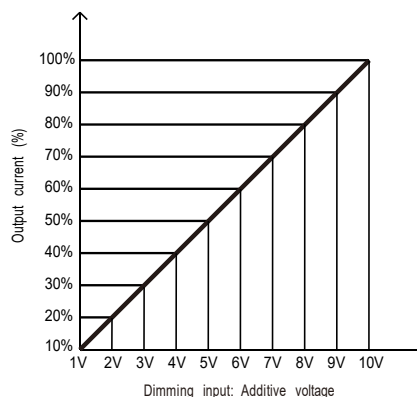
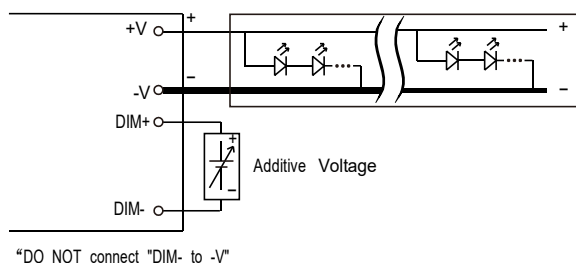
## ■ DIMMING OPERATION



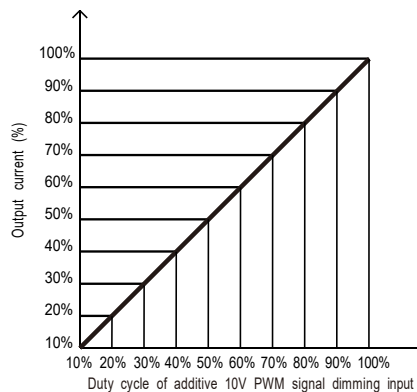
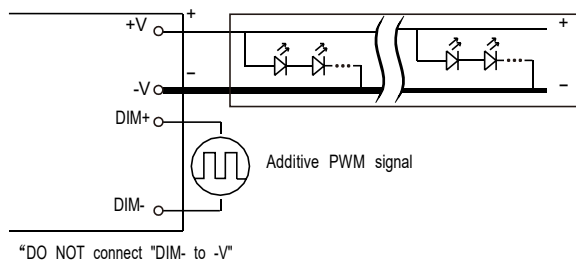
### ※ 3 in 1 dimming function (for B/AB-Type)

- Output constant current level can be adjusted by applying one of the three methodologies between DIM+ and DIM-: 1 ~ 10VDC, or 10V PWM signal or resistance.
- Direct connecting to LEDs is suggested. It is not suitable to be used with additional drivers.
- Dimming source current from power supply: 100 $\mu$ A (typ.)

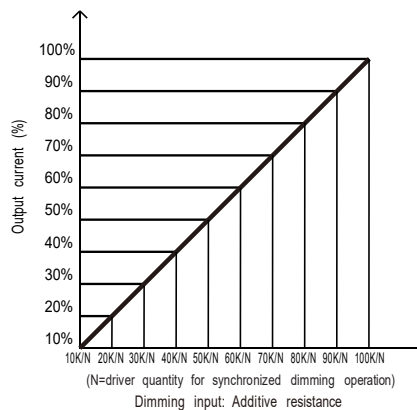
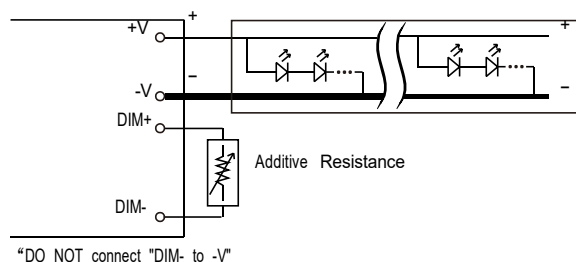
#### ◎ Applying additive 1 ~ 10VDC



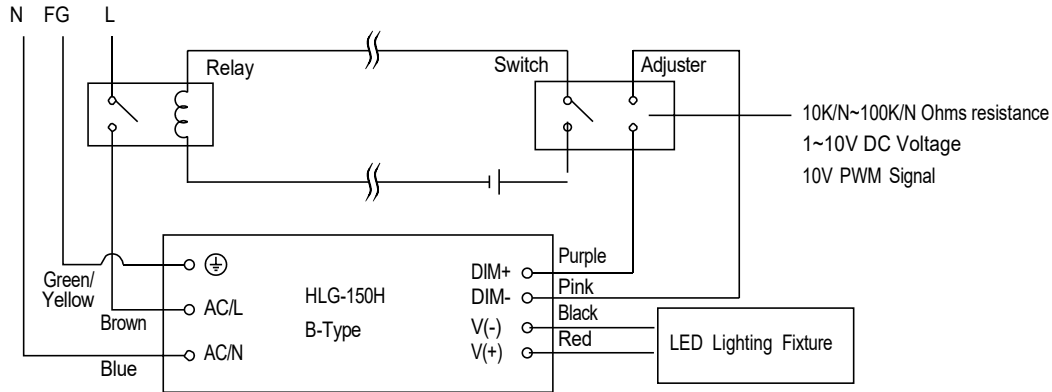
#### ◎ Applying additive 10V PWM signal (frequency range 100Hz ~ 3KHz):



#### ◎ Applying additive resistance:

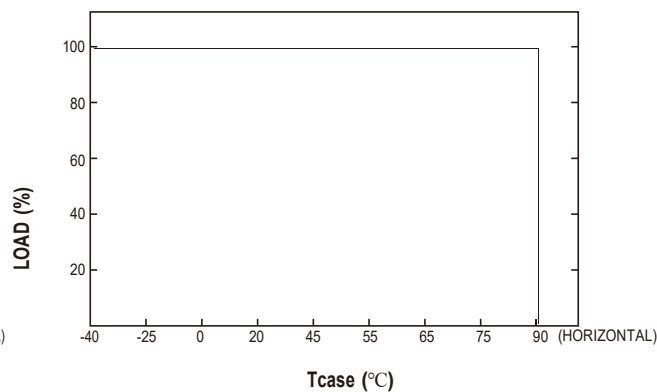
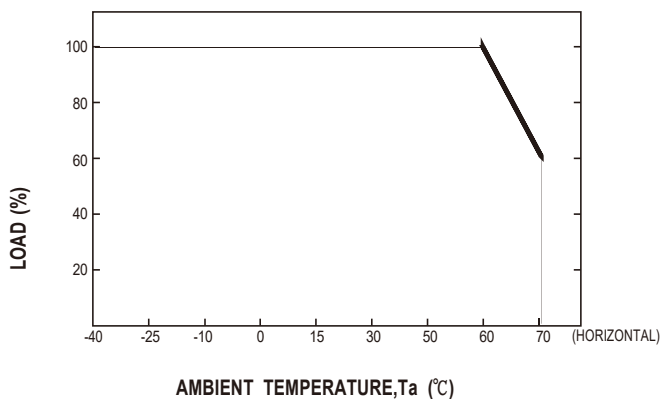


Note: In the case of turning the lighting fixture down to 0% brightness, please refer to the configuration as follow, or please contact MEAN WELL for other options.

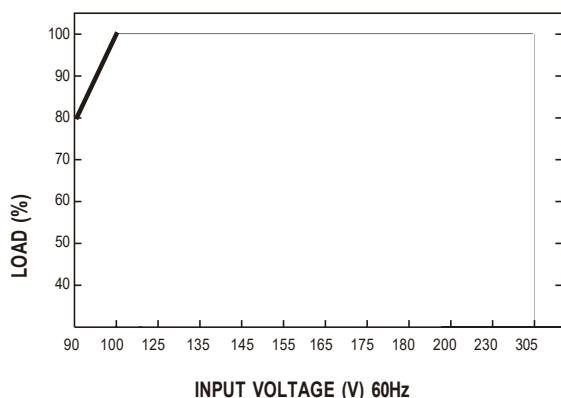


Using a switch and relay can turn ON/OFF the lighting fixture.

### OUTPUT LOAD vs TEMPERATURE(Note.10)



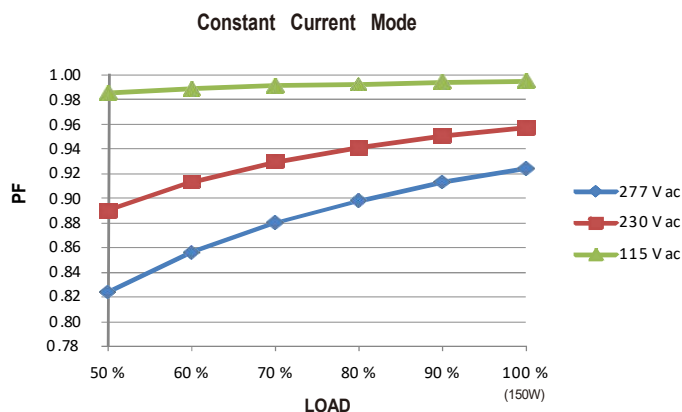
### STATIC CHARACTERISTICS



※ De-rating is needed under low input voltage.

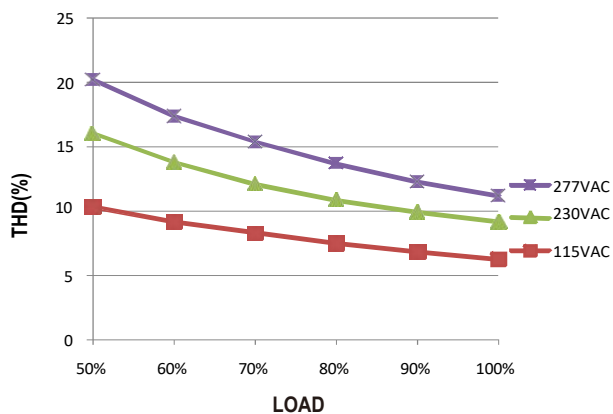
### POWER FACTOR(PF) CHARACTERISTIC

※ Tcase at 80°C



### TOTAL HARMONIC DISTORTION (THD)

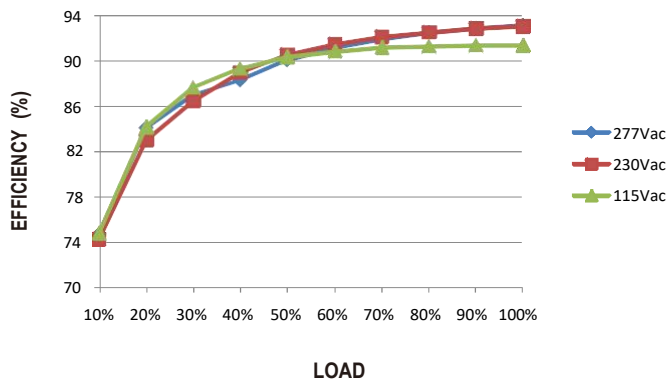
※ 48V Model, Tcase at 80°C



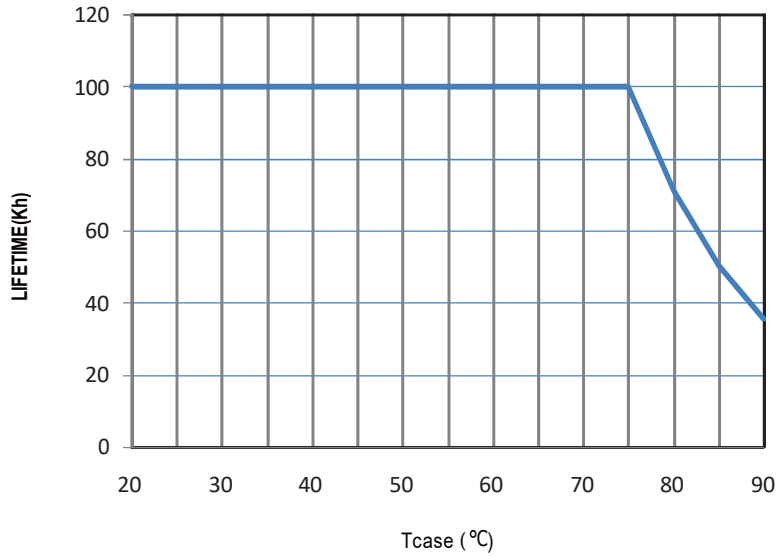
### EFFICIENCY vs LOAD

HLG-150H series possess superior working efficiency that up to 94% can be reached in field applications.

※ 48V Model, Tcase at 80°C



■ LIFE TIME

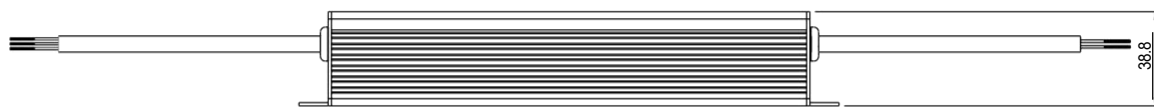
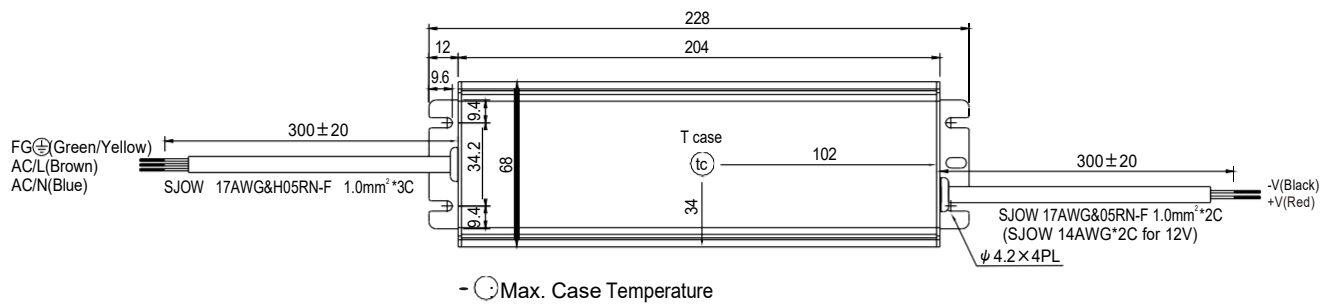




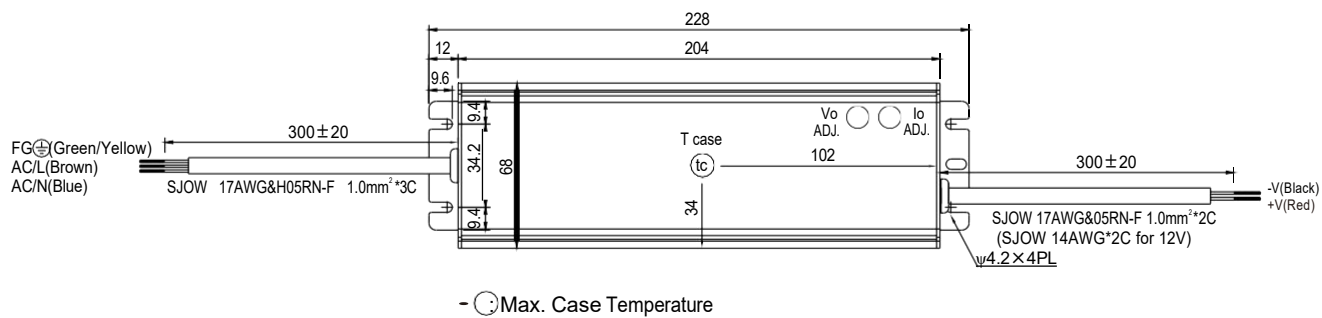
**MECHANICAL SPECIFICATION**

Case No.954D Unit:mm

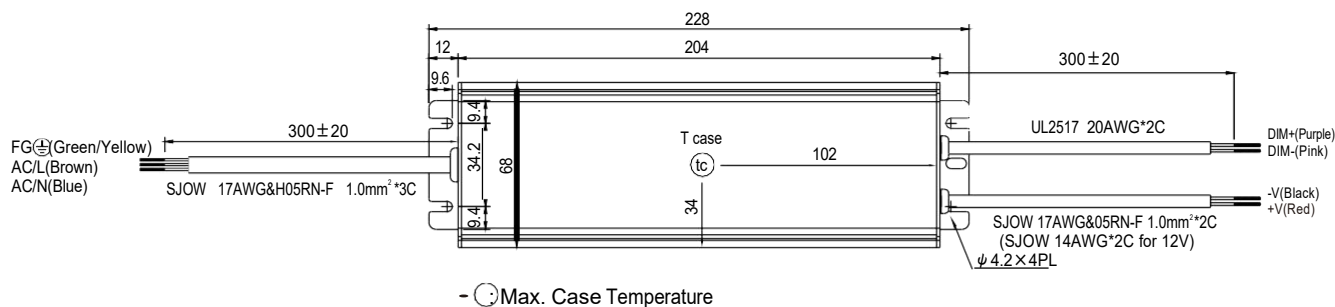
※Blank/D-Type



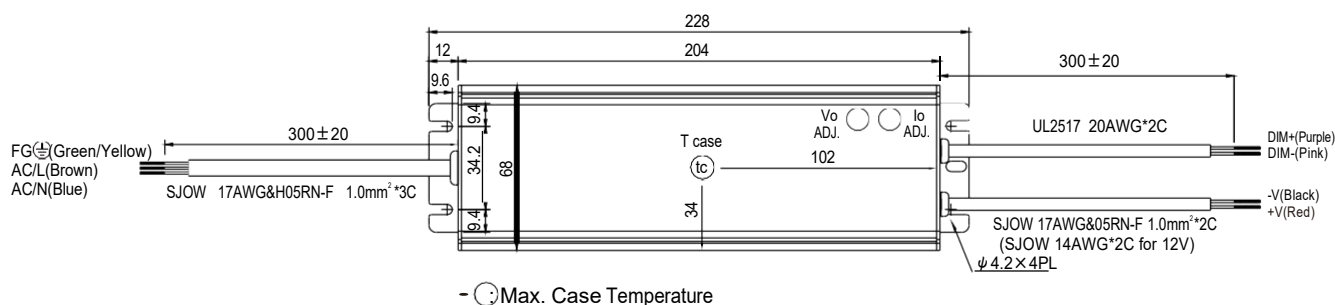
※A-Type



※B-Type



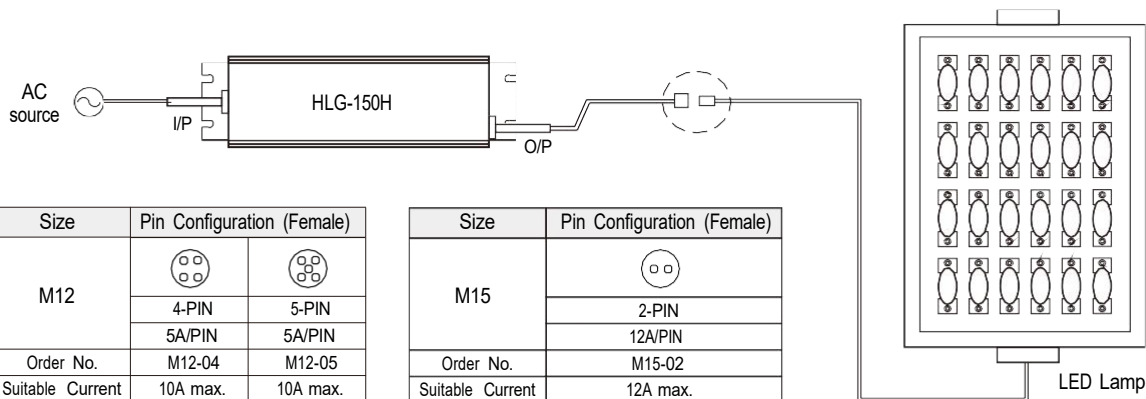
※AB-Type



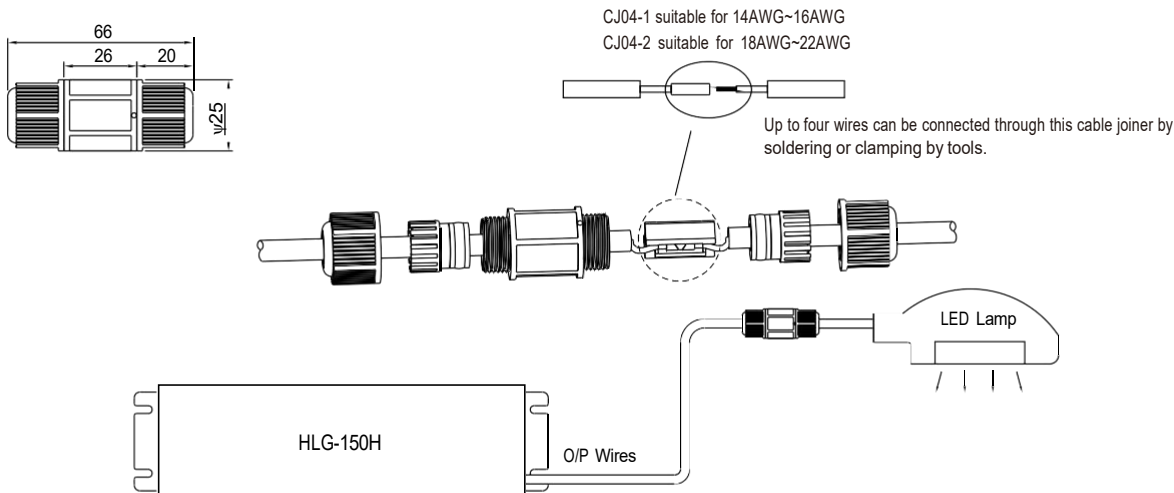
## WATERPROOF CONNECTION

### ※ Waterproof connector

Waterproof connector can be assembled on the output cable of HLG-150H to operate in dry/wet/damp or outdoor environment.

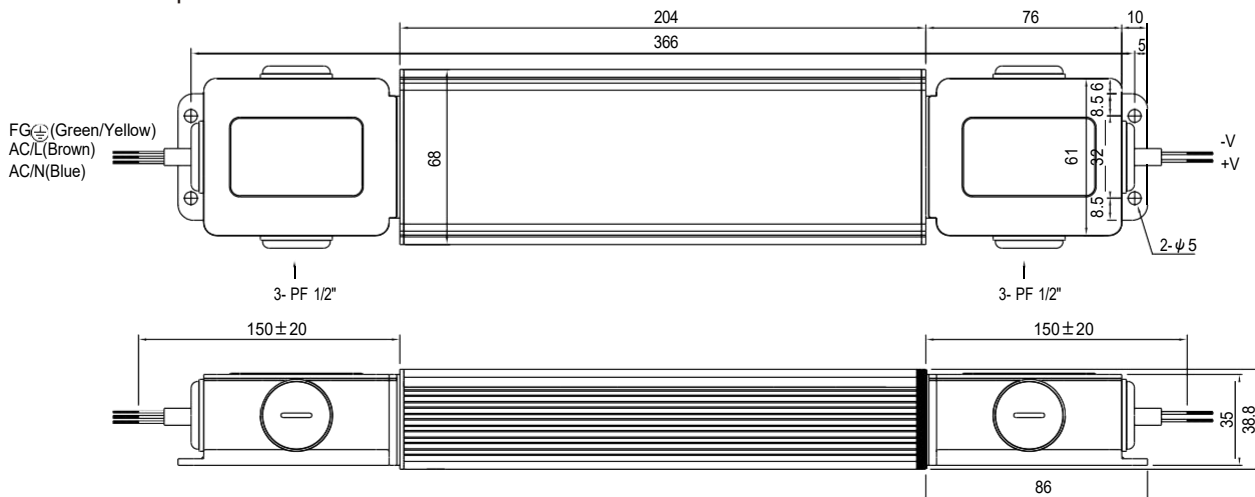


### ※ Cable Joiner



© CJ04 cable joiner can be purchased independently for user's own assembly.  
MEAN WELL order No. : CJ04-1, CJ04-2.

### ※ Junction Box Option



© Junction box option is available for A / Blank - Type. Please contact MEAN WELL for details.

## INSTALLATION MANUAL