

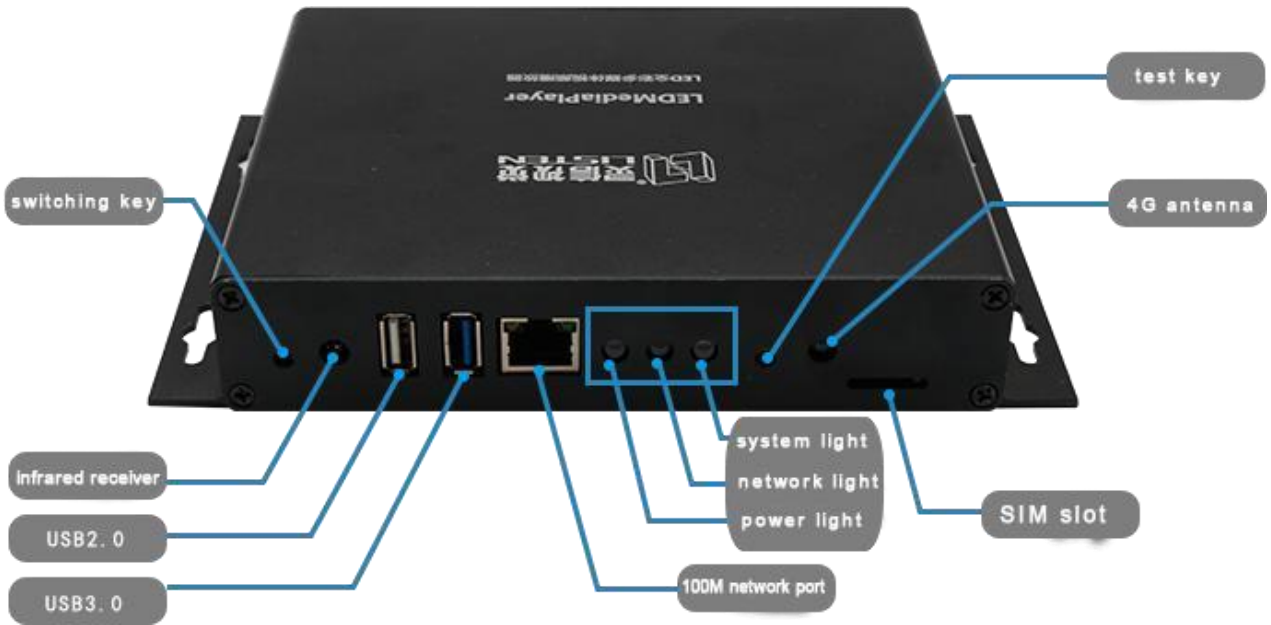
# LS-Q5 SPECIFICATION

Version	Date	Reason
V1.00	07/05/2017	Document

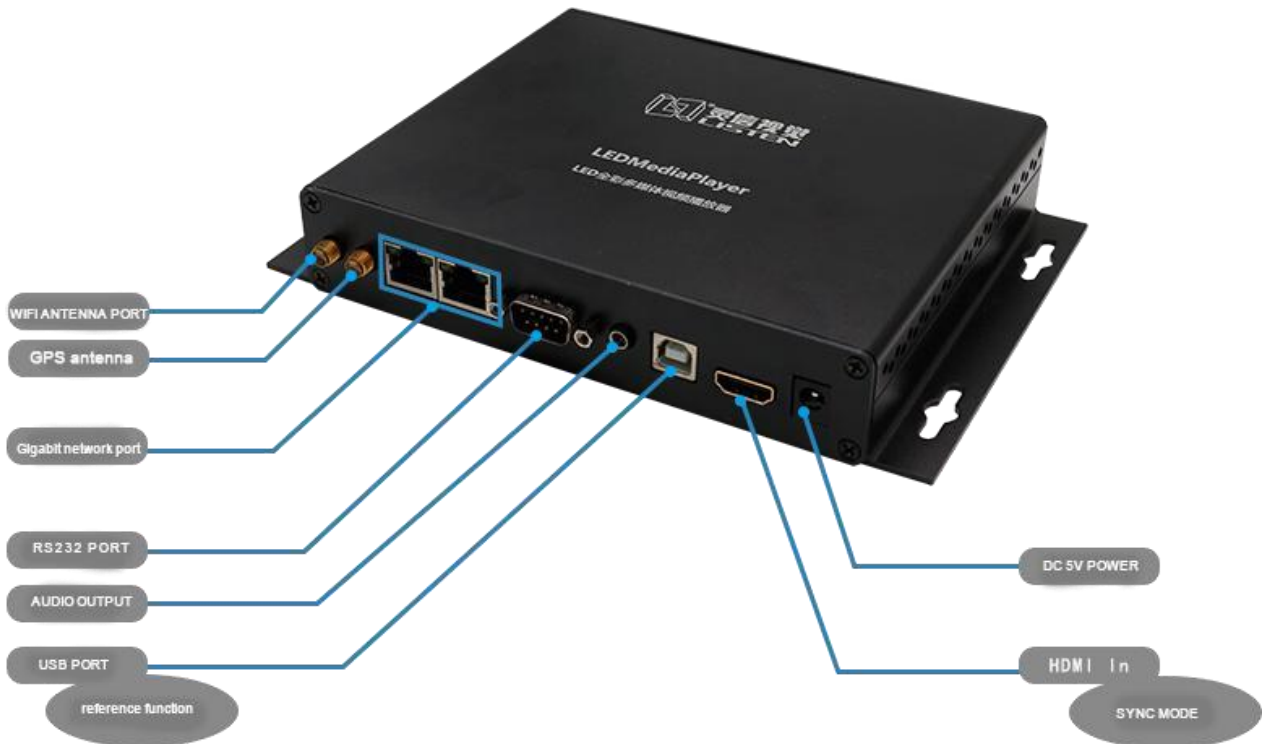
Buy website address: <https://reissopto-led.com/products/listen-ls-q5-full-color-sync-async-hd-multimedia-player-sending-box>



## Hardware



Front view



Back view

## Parameters

- **Product name:** full color sync-async HD multimedia player
- **Onload :** 1920\*1080
- **CPU:** quad core ARM Cortex A7, main frequency 1.5GHz, GPU 4 core Mali450
- **Storage :** standard 8GB ROM,1GB RAM
- **Refresh frequency:** max 16KHZ
- **Grey level:** max 65536
- **Scan mode:** compatible with indoor&outdoor, smart setting
- **Communication interface:** network interface/U disk
- **Communication mode:** LAN, Internet, 4G/3G/2G, WIFI
- **Remote management:** support remote cluster publishing, management and remote upgrade.
- **Audio interface:** onboard integrated sound card, R/L stereo sound, analog audio
- **Video decode:** support 4K HD hard decode, max up to 4 HD channels to decode
- **Video format:** MOV、 AVI、 MP4、 DVD、 ASF、 WMV、 MKV、 RM、 RMVB、 TS、 DAT、 MPG、 MPEG、 VOB
- **Audio format:** MPEG-1 Layer3、 WMA、 WMA Pro、 AAC、 MPEG1/2 Layer 1/2、 ADPCM、 OGG Vorbis、 Dolby Digital AC3、 Dolby Digital Plus、 RA-COOK、 FLAC
- **Storage interface:** USB 2.0/3.0 Host, U disk extension or USB hard disk
- **Timing play:** support
- **Sensor interface:** temperature, humidity, smog, brightness sensors.
- **Working temperature:** -40℃~85℃
- **Zone:** any sunarea
- **Editing software:** LS Cloud platform, mobile APP

## Configuration

**Size:** length: 225mm width:180mm height:28mm

**Shell:** aluminium. Its cover can be processed by material or UV and cover color can be customized.

**Weight:** gross weight: 440g

**Power:** 5V 5A direct current

**Working temperature:** -40℃ ~ 85℃, relative humidity 10% ~ 85% (no condensation)

**Data save:** via USB 2.0/3.0 Host, U disk extension or USB hard disk

**Communication mode:** Ethernet: 10/100Mbps Ethenet,

Wireless network: 802.11b/g

4G: 4G network module, support global network

**Audio interface:** R/L stereo analog audio

**Attachments :** power, *instructions*, carton