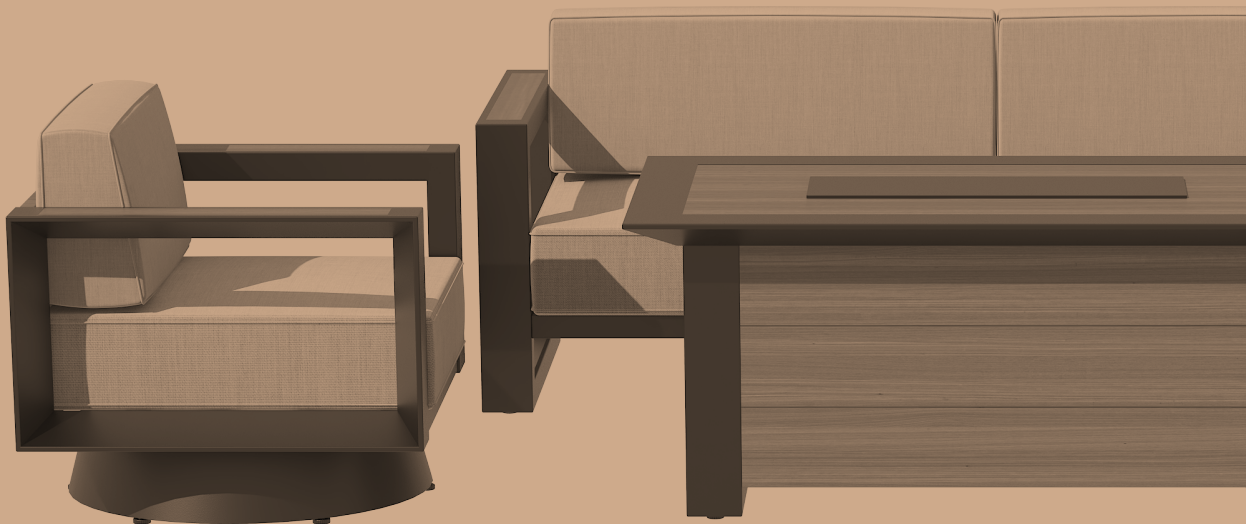


# SANIBEL 4PIECE FIRE PIT CONVERSATION SOFA SET

INSTRUCTION MANUAL



# THANK YOU FOR PURCHASING OUR MIRADOR SANIBEL 4PIECE FIRE PIT CONVERSATION SOFA SET!



## CERTIFICATION INFORMATION:



This manual will provide you with clear and detailed instructions on how to safely and correctly use and maintain your fire pit conversation sofa set, to ensure it brings you many years of use and enjoyment.

## IMPORTANT

Please read the entire manual carefully before using your fire pit conversation sofa set, and please ensure the manual is kept in a safe place for future reference.

Any use or modification to the fire pit conversation sofa set not included in this manual shall be considered as improper use, which may cause considerable danger to users and property and will void the product warranty.

Please only use this product for its intended purpose within a residential environment. Failure to do so will void your warranty.

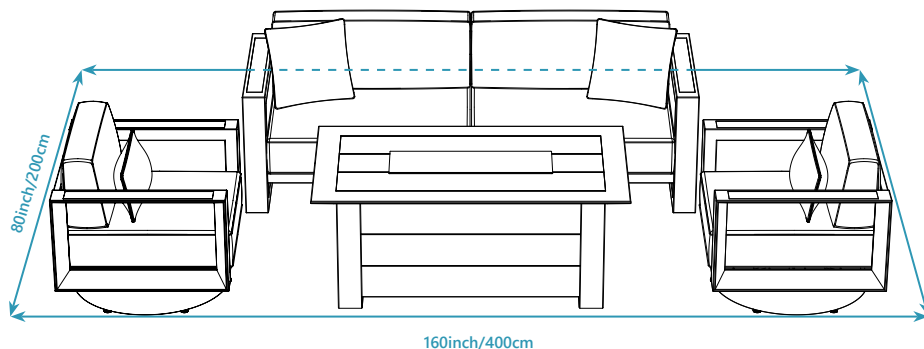
We reserve the right to make changes for product improvements.

For parts and customer service, please call +1 (877)-506-4777 in the U.S. and Canada (English and Spanish) Monday - Friday: 6:30 am - 4:30 pm, Saturday - Sunday: 8:30 am - 4:30 pm, Pacific Time. Or email: [support@miradoroutdoor.com](mailto:support@miradoroutdoor.com)

Digital instruction manual is also available on our official website [www.miradoroutdoor.com](http://www.miradoroutdoor.com) for your reference.

# TABLE OF CONTENTS

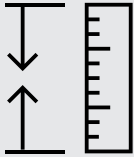
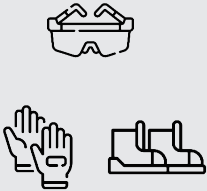
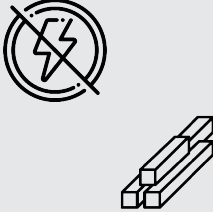


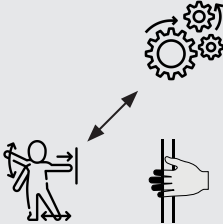


— Minimum Recommended Outdoor Space



- Important Safety Advice	3
- Fire Pit Instruction	5
- Product List	13
- Enjoy Your Sanibel Fire Pit Conversation Sofa Set	14
- Care & Maintenance	15
- Warranty & Complaints Procedure	16
- Disassembly & Disposal of the Product	17




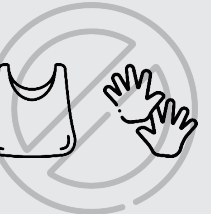
# IMPORTANT SAFETY ADVICE

**FOR THE SAFETY OF ALL PERSONS ASSEMBLING AND USING THE FIRE PIT CONVERSATION SOFA SET, IT IS IMPORTANT TO FOLLOW THE SAFETY GUIDELINES BELOW.**

<p>Adjust and secure the height of the swivel chair and table before using.</p>	<p>Always wear appropriate work shoes, gloves, and eye protection when working, especially when handling lava rock.</p>	<p>Work well away from power lines, particularly when handling metal parts.</p>	<p>For outdoor use only.</p>
			
<p>Always keep the entire base of the sofa in contact with the ground. If the sofa is wobbly, tilted, or unstable do not continue using the sofa until it is fixed or replaced.</p>	<p>Keep children, body parts and clothing away from the swivel parts to prevent them from getting caught in it.</p>	<p>Do not exceed the weight limit when using the fire pit conversation sofa set. (chair, Per seat: 243lbs/110kg, fire pit table: 165lbs/75kg)</p>	<p>Please recycle packaging where possible.</p>
			

<p>After prolonged use, we recommend you check all the fittings are tightened securely.</p>	<p>Installation and service must be performed by a qualified installer, service agency, or the gas supplier.</p>	<p>If damage is visible, stop using it immediately and contact authorized personnel for repair.</p>	<p>Only use replacement parts that are approved by the manufacturer.</p>
			 <p>✓ Approved</p>

<p>Do not attempt to use the fire pit conversation sofa set in windy or wet conditions.</p>	<p>Do not stand on the sofa set, nor adopt unsafe sitting positions on it.</p>	<p>Do not place the fire pit conversation sofa set in environments with flammable or caustic chemicals.</p>	<p>Do not burn solid fuels in this gas fireplace.</p>
			

<p>Changes to the design or configuration of equipment may not be made without consulting the manufacturer or authorized representative.</p>	<p>Do not drag the product while cleaning or moving to avoid scratches.</p>	<p>It is unsafe to use this product for cooking!</p>	<p>Dispose of all plastic bags safely. Keep them out of the reach of children.</p>
			

# FIRE PIT INSTRUCTION

**IF YOU CANNOT READ OR UNDERSTAND THESE INSTALLATION INSTRUCTIONS, DO NOT ATTEMPT TO INSTALL OR OPERATE THIS APPLIANCE.**

## **DANGER:**

- This appliance can produce carbon monoxide which has no odor. Using it in an enclosed space can kill you. NEVER use this appliance in an enclosed space such as a camper, tent, car or home.

## **WARNING:**

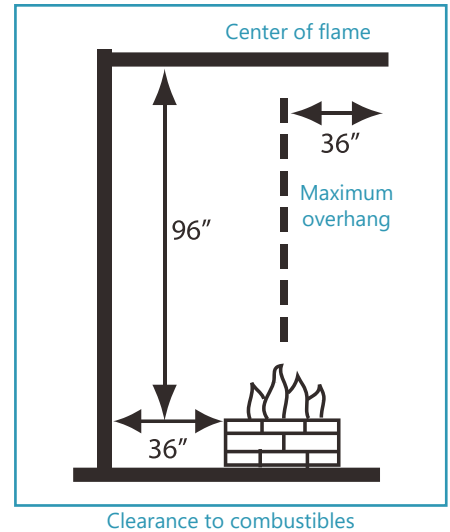
- Please retain this manual for future reference.
- If the information in these instructions is not followed exactly, a fire or explosion may result causing property damage, personal injury or death.
- For outdoor use only.
- DO NOT use this fire pit for cooking.
- DO NOT burn any other materials than are supplied with and intended for use in this fire pit.
- DO NOT pour water into fire pit.
- DO NOT store a spare or disconnected liquid propane cylinder under or near this fire pit.
- After a period of storage, and/or non use, the propane fire pit should be checked for gas leaks and burner obstructions before use.
- An LP-cylinder not connected for use SHALL NOT be stored in the vicinity of this or any other appliance.
- DO NOT operate the propane fire pit if there is a gas leak present.
- NEVER use a flame to check for gas leaks.
- Combustible materials should NEVER be within 10 feet of the top, back or sides of your propane fire pit.
- DO NOT put any other fire pit cover or anything flammable on, or beneath the fire pit.
- Should fire go out while burning, turn the gas valve off. Follow the instruction and wait five minutes before attempting to relight.
- NEVER lean over the open fire pit or place hands or fingers on the upper portion of an operational unit.
- Keep ventilation openings in cylinder enclosure free and clear of debris.
- DO NOT rest feet on the fire pit.
- Please take out the battery when not using the fire pit for an extended length of time.
- DO NOT enlarge valve orifices or burner ports when cleaning the valve or burner.
- Cylinder supply system MUST be arranged for vapor withdrawal.
- LP Tank used MUST include a collar to protect the cylinder valve.
- DO NOT use this fire pit on vehicles or boats. Always operate the appliance on flat ground outdoors.
- Keep any electrical supply cord and the fuel supply hose away from any heated surfaces.
- DO NOT use this fire pit unless all parts are in place.
- Inspect the hose before each use of the appliance.
- The hose assembly MUST be replaced prior to the appliance being put into operation if there is evidence of excessive abrasion or wear or if the hose is damaged.
- Locating the hose out of pathways where people may trip over it or in areas where the hose may be subject to accidental damage.
- The burner MUST be replaced prior to the appliance being put into operation if it is evident that the burner is damaged.
- The conversion or attempted use of natural gas in a liquid propane unit or liquid propane gas in a natural gas unit is dangerous.
- Any guard or other protective device removed for servicing the appliance must be replaced prior to operating the appliance.
- Inspect the fuel supply connection before each use of the appliance.
- Temporary storage of this appliance indoors is permissible only if it has been disconnected from its fuel supply.

# 1. Specifications

Input Rate (Btu/hr):		
Model No.	LP BTU	NG BTU
20-3109	45,000	45,000

GAS	LP	NG
Rated pressure	11.0"WC	7.0"WC

\* NG: Natural gas



# 2. Installation safety guidelines

- The installation of this product must conform with local codes.
- Installation and repair should be done by a qualified service person. The appliance should be inspected before use and at least annually by a qualified service person.
- More frequent cleaning maybe required as necessary. It is imperative that control compartment, burners and circulating air passageways of the appliance be kept clean.
- Carefully inspect for shipping damage. If any parts are damaged cal the dealer.
- Correct installation and proper placement of the UNIT and decorative media is crucial to the safe performance of the UNIT. Read the installation, operating and maintenance instructions thoroughly before installing or servicing this equipment.

# 3. Safe use & maintenance of propane gas bottles

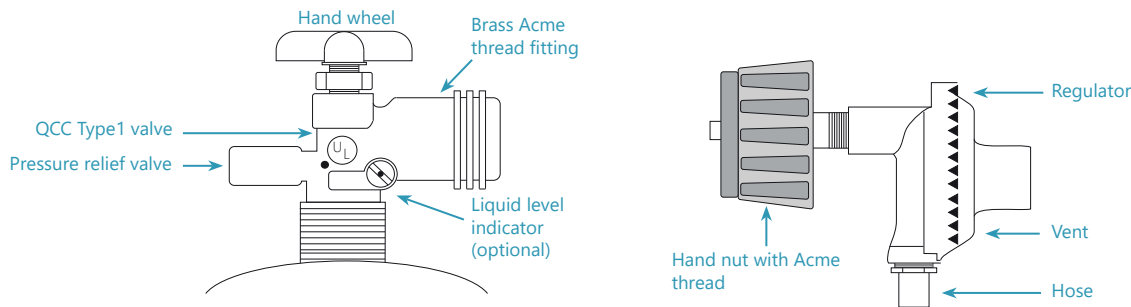
## IMPORTANT FOR YOUR SAFETY

READ AND FOLLOW ALL WARNINGS PROVIDED WITH THE PROPANE-GAS CYLINDER.

WHEN OPERATING THIS APPLIANCE WITH A PROPANE-GAS CYLINDER, THESE INSTRUCTIONS AND WARNINGS MUST BE OBSERVED. FAILURE TO DO SO MAY RESULT IN A SERIOUS FIRE OR EXPLOSION.

## CYLINDER/CONNECTOR REQUIREMENTS

- Propane-gas cylinders, valves, and hoses must be maintained in good condition and must be replaced if there is visible damage to either the cylinder or valve. If the hose is cut or shows excessive abrasion or wear, it must be replaced before using the gas appliance (see e.).
- This unit, when used with a cylinder, should be connected to a standard 5-gallon (20 lb.) propane-gas cylinder equipped with an OPD ( Overfill Prevention Device).The OPD has been required on all cylinders sold since October 1, 1998, to prevent overfilling.
- Cylinder dimensions should be approximately 12" (30.5 cm) in diameter and 18" (45.7 cm) high. Cylinders must be constructed and marked in accordance with the Specifications for Propane Gas Cylinders of the U.S. Department of Transportation (D.O.T.) or the National Standard of Canada, CAN/CSA-B339, Cylinders, Spheres, and Tubes for Transportation of Dangerous Goods.
- The cylinder used must include a collar to protect the cylinder valve, and the cylinder supply system must be arranged for vapor withdrawal.
- The pressure regulator and hose assembly (Fig. 3-1) supplied with this outdoor gas appliance must be used. Original and replacement pressure regulator and hose assemblies must be those specified by the manufacturer for connection with a cylinder connecting device identified as Type I.
- The propane-gas cylinder valve must be equipped with a cylinder connection coupling device, described as Type I in the standard defined in paragraph (e.) above. This device is commonly described as an Acme thread quick coupler.
- If the propane-gas cylinder comes with a dust plug, place the dust cap on the cylinder valve outlet whenever the cylinder is not in use.



Type I Acme thread quick coupler

3-1



## QUICK COUPLER OPERATION

- To connect the regulator/hose assembly to the propane gas cylinder valve fitting: Press the hand nut on the regulator over the Acme thread fitting on the cylinder valve. Turn the hand nut clockwise to engage the threads and tighten until snug.

## LEAK TEST

- Turn on the gas supply, ignite the burner, and test at all connections for leaks using a soapy water solution. If bubbles appear, a leak is present.
- Turn off the gas and tighten at all connections. Repeat until no leaks are present. If a leak persists, turn off the gas supply and contact the local gas company or dealer.

**NEVER USE A FLAME TO CHECK FOR LEAKS.**

## FOR YOUR SAFETY

### IMPORTANT:

- The use of pliers or a wrench should not be necessary. Only cylinders marked "propane" may be used.
- Before using the unit, and after each time the cylinder is removed and reattached, check the hose for wear (see a.) and check all connections for leaks. Turn off the unit valves and open the main cylinder valve, then check connections with soapy water. Repair any leaks before lighting the unit.
- Carefully inspect the hose assembly each time before the gas is turned on. A cracked or frayed hose should be replaced immediately.
- If the appliance is stored indoors, the cylinder must be disconnected and removed. Disconnected cylinders must be stored outdoors, out of the reach of children, with threaded valve plugs tightly installed, and must not be stored in a building, garage, or any other enclosed area.
- To disconnect : Turn the hand nut counterclockwise until detached (Fig. 3-1).

### CAUTION:

- Always turn the propane cylinder main valve off after each use, and before moving the unit and cylinder or disconnecting the coupling.
- This valve must remain closed and the cylinder disconnected while the appliance is not in use, even though the gas flow is stopped by a safety feature when the coupler is disconnected.

### WARNING:

- DO NOT store a spare propane-gas cylinder under or near this appliance.
- NEVER fill the cylinder beyond 80-percent full.
- If the above information is not followed exactly, a fire causing death or serious injury may occur.
- Use LP propane gas tanks only with these required measurements: 12 in. (diameter) x 18 in. (tall) with 20 lb. capacity maximum.

# 4. Operating the fire pit

## GERNERAL RULES

- Follow all gas leak procedures in this manual prior to operation.
- This appliance is only intended for operation in temperatures above 32°F.
- Users should be alerted to the hazards of high surface temperatures and keep a safe distance to avoid burning or clothing ignition.
- Every time before using use the unit, make sure that:
  - The area around the unit is clear and free from combustible materials, gasoline, and other flammable vapors and liquids.
  - There is no blockage of the airflow through the vent openings located on the bottom of the unit.
  - The hose is inspected (if applicable). see the **Safe use & maintenance of propane-gas cylinders** section.

### **WARNING:**

- The propane fire pit should NEVER be used by children. Children must be supervised when they are anywhere near the appliance.
- DO NOT sit or place any part of the body, clothing or other flammable materials on or near the fire pit surround.
- HOT while in operation and following operation. Serious injury can occur!
- DO NOT throw matches, trash paper, garbage, or any other flammable materials onto the unit or into the flame.
- DO NOT leave in operation when unattended.
- DO NOT transit it while in operation.
- DO NOT operate this unit in the rain.
- Charcoal or any other solid fuel must not be burned in the fire pit.
- DO NOT continue using if you smell unusual odors or have headaches nausea or dizziness.
- DO NOT store or use gasoline ,combustible materials, or any other flammable vapors and liquids in the vicinity of this unit. Provide adequate clearance for servicing and operation.
- DO NOT use the unit if any part of it has been under water. Immediately call a qualified professional service technician to inspect the set and to replace any part of the control system that has been underwater.
- When shutting the unit down. Be sure to turn the control valve fully off.

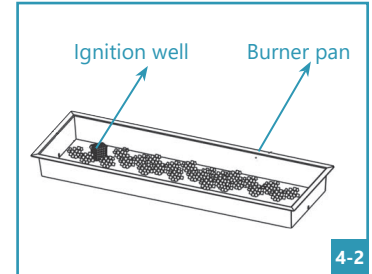
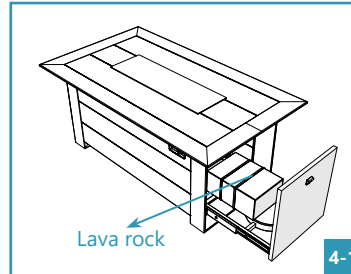
## LIGHTING PREPARATION

**IF YOU DO NOT FOLLOW THESE INSTRUCTIONS EXACTLY, A FIRE OR EXPLOSION MAY RESULT, CAUSING PROPERTY DAMAGE, PERSONAL INJURY, OR LOSS OF LIFE.**

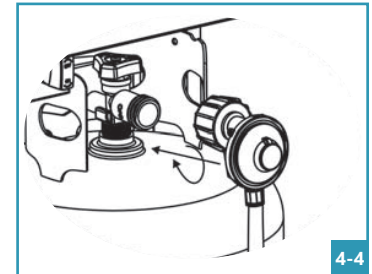
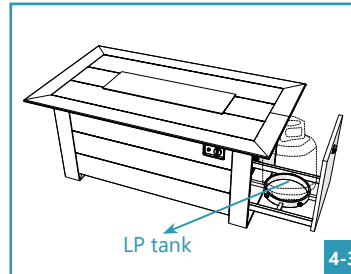
1. Take the lava rock out of the package and pour into the burner pan. The burner must be completely covered to ensure the appliance functions properly and safely. (Fig. 4-1 & 4-2)

### **⚠ WARNING:**

- The ignition well must be clear and free of obstructions at all times to insure proper operation. **DO NOT** cover the ignition well with any lava rocks or other media.
- Children **MUST** be supervised to prevent them from swallowing the lava rock and choking.



2. Slide the tank drawer out and place the LP tank in the drawer (Fig. 4-3). Connect the regulator as shown in (Fig. 4-4). Turn the black handle clockwise to tighten. The hose must point down. Check that the valve is turned all the way clockwise to the "OFF" position.

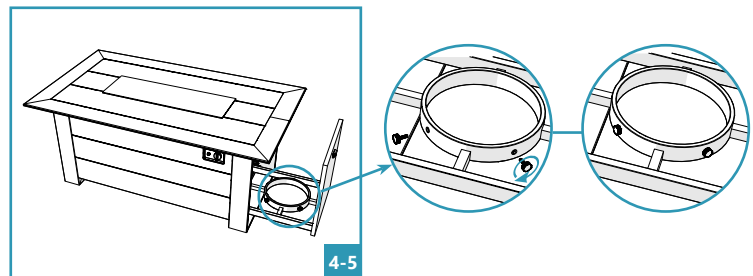


3. Open the tank valve. Smell all around the unit area for gas. Be sure to smell next to the floor, because some gas is heavier than air and will settle on the floor.

4. Apply a solution of soapy water to the tank-regulator connection and to the valve-hose connection to check for leaks. If soap bubbles continue to form, the connection has a leak. If a leak is found, close the tank valve and tighten all connections.

### **⚠ WARNING: DO NOT use a flame to check for leaks.**

5. Tighten the threaded knobs found on the LP support frame so that the LP tank cannot move from side to side. **DO NOT** remove the plastic cap from the end of threaded section.



## WHAT TO DO IF YOU SMELL GAS

1. Shut off the gas to the appliance.
2. Extinguish any open flame.
3. If odor continues, keep away from the appliance and immediately call your gas supplier or the fire department.

## LIGHTING INSTRUCTIONS

Use only your hand to push in or turn the gas control knob. NEVER use tools.

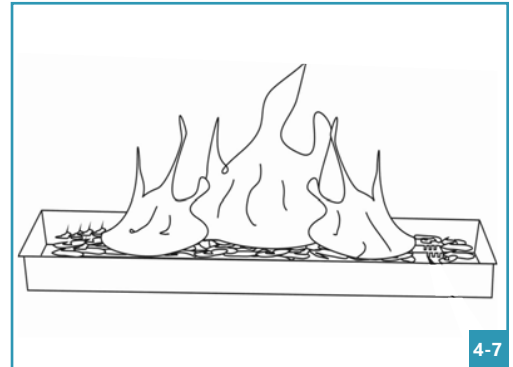
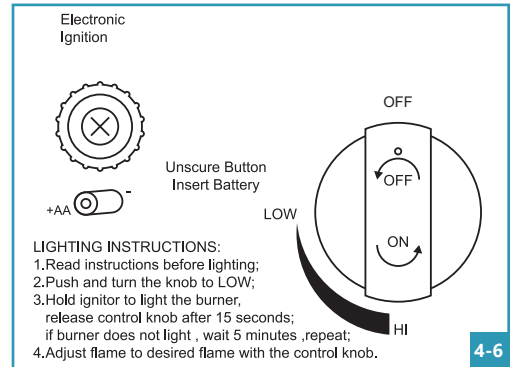
If the knob will not push in or turn by hand, DO NOT try to repair it. Call a qualified professional service technician. Force or attempted repair may result in fire or explosion.

1. STOP! Read the safety information above.
2. Push and slowly turn the control knob to the LOW position. (Fig. 4-6)
3. Hold ignitor to light the burner, release control knob after 15 seconds. (Fig. 4-6)
4. Observe the flame height when lit. Flame should be 3 to 13 inches high. (Fig. 4-7)
5. If the burner does not light before the match goes out, immediately turn the control knob to the OFF position.
6. Wait approximately five minutes to clear out any gas, and repeat steps 1-4 above.
7. If your burner fails to light again, turn the control knob to the OFF position and contact your dealer or gas supplier.
8. To extinguish your gas burner, turn the control knob to the OFF position. Be sure the control knob is turned fully off to avoid any gas leakage.

### CAUTION: BURN HAZARD

Will remain hot for some time after use.

You must maintain the layout as shown to ensure proper operation of your fire pit. If you need to reposition any material to maintain the proper layout, use heat resistant gloves or allow material adequate time to cool before handling.



# 5. Maintenance

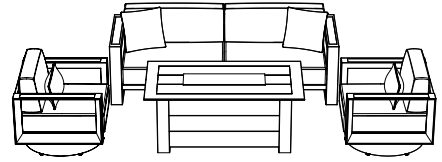
- Keep fire pit covered at all times when not in use.
- Keep any debris out of fire pit-clean as needed.
- Ring Cleaning: (1xYR) If flames exhibit any abnormal shapes or behavior, or if burner fails to ignite properly, then the burner holes may require cleaning. The appliance can be cleaned by carefully removing the logs and media to allow access to burner. Use a brush to carefully remove dust, spiderwebs, and loose particles from base, logs, and fire ring itself. If evidence of damage, fire ring must be replaced with fire ring specified by manufacturer.
- To clean the burner, use a soft brush after the burner has cooled completely. NEVER use a vacuum cleaner on the burner. It is recommended to store the fire pit indoors during winter if it will be subjected to freezing temperatures. The LP cylinder must be disconnected and removed from the appliance before the appliance can be stored indoors.
- Ignition Battery :For changing, simply unscrew cap, replace battery, and tighten cap.

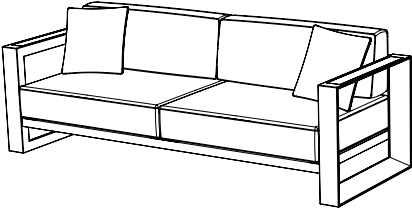
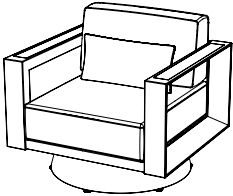
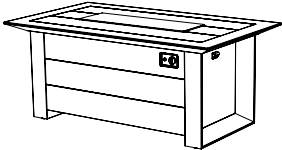
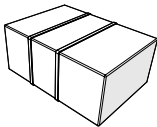
# 6. Troubleshooting

Below are some potential causes and countermeasures to the symptoms indicated in bold. Please contact your retailer or certified technician for service & repair.

Issue		Countermeasures
<b>Will Not Light</b>	Air in gas line	If new install, may take several attempts to purge air.
	Debris in gas line	Confirm gas line is clear (insulation, dirt, plastic, excessive pipe sealer, etc.).
	Gas pressure improper	Confirm proper gas pressure.
	Spark igniter needs adjusted	Spark igniter must be correctly aligned with burner holes.
	Low battery	Replace batteries.
	Wire is shorted	Re-route wire away from conductive materials.
<b>Will Not Stay Lit</b>	Gas pressure improper	Confirm proper gas pressure.
	Improperly applied media	Check lighting section.
<b>Noise</b>	Whistling sound	Change flex line routing.

# PRODUCT LIST

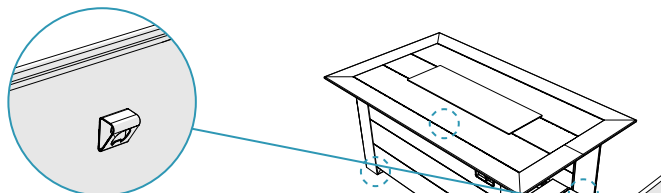


	REF	NAME	QTY
A		3-Seat sofa	1
B		Swivel & rocking armchair	2
C		Fire pit table	1
D		Lava rock	1

# ENJOY YOUR SANIBEL FIRE PIT CONVERSATION SOFA SET

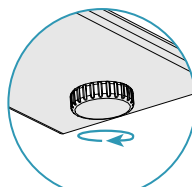
## Bottle opener:

Find the bottle opener at the location shown in the illustration.

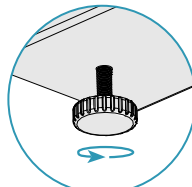


## Height adjustment:

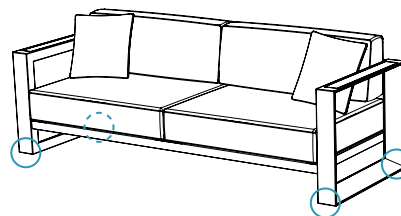
Adjust the height of the furniture by finding the leveling feet screws at the bottom of the table leg and the chair. Turn the screw clockwise to lower the chair/table. Turn the screw counter clockwise to raise the chair/table.



Clockwise

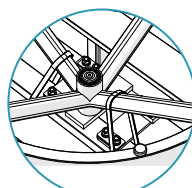


Counter clockwise

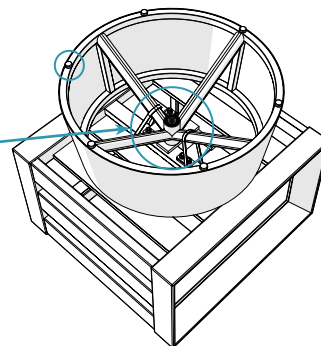


## Swivelling:

Remove the seat cushion, lay cardboard box or soft cloth on the floor, flip the captain chair over and cut the cable ties.



Cable ties



**Enjoy your Mirador Sanibel Fire Pit Conversation Sofa Set!**

# CARE & MAINTENANCE



## FRAME

- Dust and dirt will collect on the frame and will require periodic cleaning.
- Use water or mild soap to clean.
- Be sure to drain any water accumulated inside the frames. Air dry or wipe with a soft clean cloth.



## CUSHION

- When the cushion becomes water-saturated, unzip the cushion cover to allow for ventilation and facilitate the drying process. Place the cushions upright with the zipper facing down to drain excess moisture more quickly.
- Store cushions indoors during inclement weather and rainy seasons.



## SUNBRELLA CUSHION FABRIC

- Dust and dirt will collect on the sunbrella fabric and will require periodic cleaning.
- Store it in a dry area and out of the elements when not in use or cover with commercially available outdoor furniture covers.
- Blot (don't rub) liquid spills with a clean, dry cloth.
- Brush off dirt before it becomes embedded in the fabrics and wipe up spills or clean soon after a spill occurs. The quicker you clean spills, the easier they can be to remove.
- Use water or mild soap to clean.
- Not machine washable.
- Solutions for fabric wrinkling.
  1. Use an iron on the synthetic setting. Avoid using steamers or the steam setting.
  2. Test a small, hidden area before ironing the whole piece due to varying iron temperatures.

### Cleaning methods for different stains

- Oil-based spills.
  1. Apply an absorbent such as corn starch, then remove with a straight edge.
  2. Spray on a mild cleaning solution of soap and water.
  3. Rinse the fabric thoroughly to remove all soap residue.
  4. Air dry.
- Mildew.
  1. Prepare a solution of 1 cup of bleach and 1/4 cup mild soap per gallon of water.
  2. Spray on entire area and allow to soak into the fabric for 15 minutes.
  3. Clean entire surface area with a sponge, clean towel or very soft bristle brush.
  4. Rinse thoroughly to remove all soap residue.
  5. Air dry.



# WARRANTY & COMPLAINTS PROCEDURE

**For terms and conditions of our limited warranty, please visit [www.miradoroutdoor.com](http://www.miradoroutdoor.com) or contact your local Mirador sales representative.**

**Complaints procedure:**

- The complaint must include an order number or transaction number. Goods without an order number or transaction number are not covered under the warranty.
- The complaint must include a detailed description of the defect, the name of the company which assembled the product if 3rd party was used and the date when the defect was discovered.
- At Sorara Outdoor Living USA Inc's discretion, customer must offer supplier the photos/videos of the issue/damaged parts. Otherwise, supplier reserves the right to refuse replacement parts or credit.
- Please save a copy of your purchase receipt.

**Contact:**

**Customer Service:** [support@miradoroutdoor.com](mailto:support@miradoroutdoor.com)

**Need Assistance? Call** +1 (877)-506-4777

**Hours of Operation:**

**Phone Support:** Monday - Friday: 6:30 am - 4:30 pm, Saturday – Sunday: 8:30 am – 4:30 pm, PST.

**Email Support:** We are available 24 hours a day. Please allow up to 24 hours for a response.

**Chat With Us Online:** [miradoroutdoor.com](http://miradoroutdoor.com), Monday - Friday: 5:30 am - 2:00 pm, Saturday – Sunday: 8:30 am – 4:30 pm, PST.

**Note:** Our team is available to assist you during these hours. If you have any inquiries or require support outside of these hours, please leave a voicemail, send an email, or use our online contact form. We will get back to you promptly during the next available support hours. Thank you for choosing Mirador Outdoor!

# DISASSEMBLY & DISPOSAL OF THE PRODUCT

**Incorrect disassembly of the fire pit conversation sofa set may lead to serious injury and product damage.**

**Disassembly should be assigned to qualified personnel with adequate training within the scope of occupational health and safety and knowledge within the scope of recycling.**

When the service life of the Mirador Sanibel Fire Pit Conversation Sofa Set is over, it is necessary to disassemble it for disposal and to sort the individual materials and components in compliance with the local regulations of your state, city and county.

more to  
enjoy

MIRADOR® is a registered trademark  
of Zhejiang Zhengte Co., Ltd.  
© 2024 Sorara Outdoor Living USA .  
All rights reserved.



Printed on 100%  
post-consumer  
recycled paper

FOLLOW US ON  
WWW.MIRADOROUTDOOR.COM  
@miradoroutdoor @MiradorOutdoor  
@miradoroutdoor @miraadoroutdoor