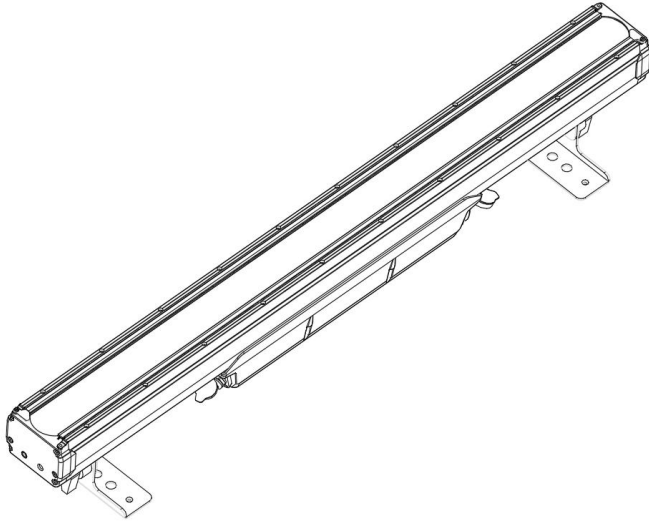


## 5x72W Amber LED Bar Light

Version: 1.1



This product manual contains important information about the safe installation and use of this projector. Please read and follow these instructions carefully and keep this manual in a safe place for future reference.

## User manual

Please read the instructions carefully before use

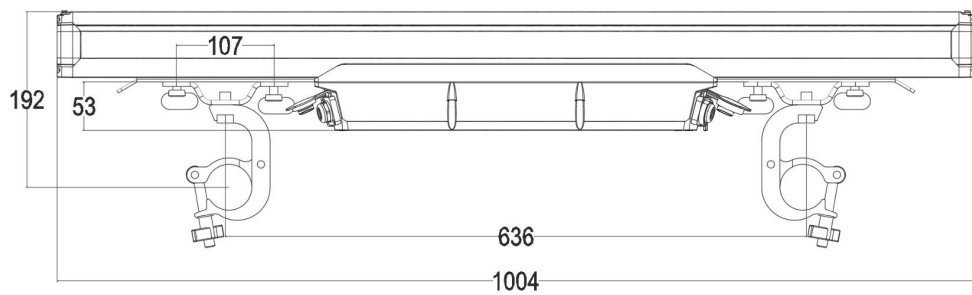
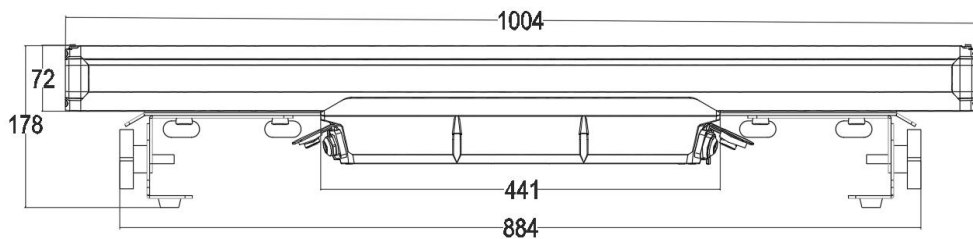
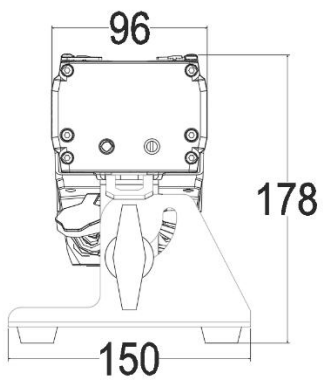
# TABLE OF CONTENTS

- 1. Dimension ..... 3
- 2. Safety Information .....4
- 3. Delivery Contents ..... 5
- 4. Preparing for installation ..... 6
- 5. Installation ..... 6
- 6. Connecting AC Power .....9
- 7. Connecting to a DMX control device .....9
- 8. Configuring the fixture for DMX control .....10
- 9. Cleaning ..... 11
- 10. DMX protocols ..... 11
- 11. Control menu .....14
- 12. Specification ..... 15

## Introduction

Thank you for your purchase and usage of the Art Shine R-360. You have chosen a reliable product with outstanding features. The device is easy to use and is made of high quality components. Every Product is checked before shipping to secure you are able to receive a great product without compromise. This is not a toy. Our ambitious aim is to get you a reliable working tool.

# 1. Dimension(mm)



## 2. Safety Information



**WARNING!** Read the safety precautions in this section before unpacking, installing, powering or operating this product.

This luminaries are multi-environmental fixtures with an IP-rating of 65, intended for professional use only. They are not suitable for household use.

Review the following safety precautions carefully before installing or operating the fixture. This fixture must be installed in accordance with the applicable installation code by a person familiar with the construction and operation of the fixture and the hazards involved.



**WARNING!** Risk of electric shock.

- Always power off/unplug the fixture before removing any covers.
- Ensure that the power is turned off when connecting the fixture to the AC mains supply.
- Ensure that the fixture is electrically connected to earth (ground).
- Do not apply power if the fixture is in any way damaged.
- Do not immerse the fixture in water or liquid.



**WARNING!** Take measures to prevent burns and fire.

- Install in a location that prevents accidental contact with the fixture.
- Install only in a well-ventilated space.
- Install at least 0.3 m (12 in.) away from objects to be illuminated.
- Install only in accordance with applicable building codes.
- Ensure a minimum clearance of 0.1 m (4 in.) around the cooling fans.
- Do not paint, cover or modify the fixture.

- Keep all flammable materials away from the fixture.
- Allow the fixture to cool for 15 minutes after operation, before touching it.
- CAUTION: Exterior surface temperature after 5 min. operation = 45 °C (113 °F). Steady state = 60 °C (140 °F).



**WARNING!** Take measure to prevent personal injury.

- Do not look directly at the light source from close range.
- Take precautions to prevent injury due to falls when working at height.
- For permanent installation, ensure that the fixture is securely fastened to a load-bearing surface with suitable corrosion-resistant hardware.
- For temporary installation with clamps, ensure that the quarter-turn fasteners are turned fully and secured with a suitable safety cable. The cable must be approved for a safe working load (SWL) of 10 times the weight of the fixture, and it must have a minimum gauge of 3 mm.

### 3. Delivery Contents(Only one fixture)

Box info:

- 1x Art Shine R-360 Retro LED Bar
- 1x Power Input cable(Can be customized)
- 1x 3pin DMX Cable
- 2x Tilt Brackets with fast locks Brackets with manual Tilt adjustment
- 2x Stands
- 1x Safety cable
- 1x This lovely User Manuel

Optional accessories:

- Barndoor
- Filter(Can be customized)

- Infinite Rotated stand box and Hanging bracket set
- Clamps
- 4in1/8in1 Flight case(Logo available)

## 4. Preparing for installation

Unpack the fixture and inspect it to ensure that it has not been damaged during transport.

The fixture is IP65-rated, and is designed for use in wet locations, for example, raining, snowing, BUT DO NOT SINK UNDER WATER!!!

This means that it is protected from:

- Dust, to the degree that dust cannot enter the fixture in sufficient quantities as to interfere with its operation.
- Lower pressure jets of water from any direction.

When selecting a location for the fixture, ensure that:

- It is situated away from public thoroughfares and protected from contact with people.
- It is not immersed in water or exposed to high-pressure water jets.
- It has adequate ventilation.

## 5. Installation

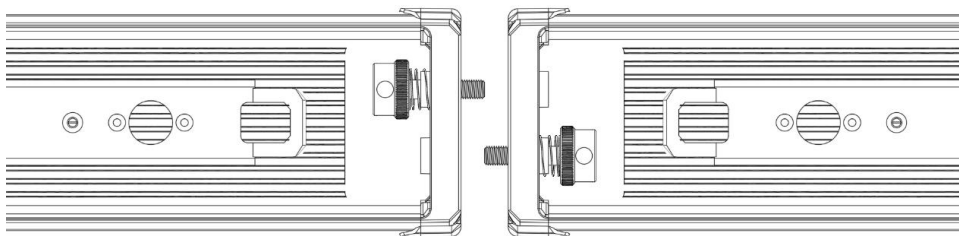
Your R-360 can be installed in every kind of following positions.

Please see the explanations and rely to the instructions for a safe operation and secure handling.

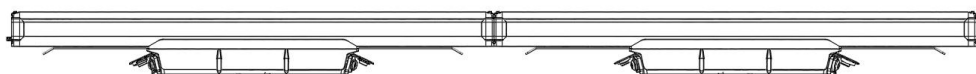
### **Structural Connection**

The R-360 can be connected using the included quick-release pins. Place the

devices next to each other.



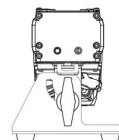
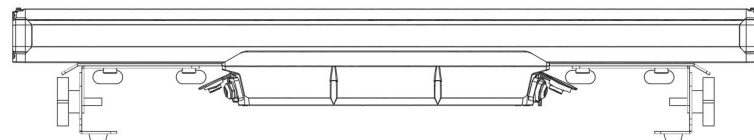
(Insert both Pins to connect the devices)



For the first uses this may be a little hard. Move the devices a little until the Bolts can be inserted completely. For vertical installation do not exceed the amount of 4 pieces. (caution, provisional specification) In case of hanging installation, each device needs to be saved individually! Using the quick-release pins for horizontal installation is not recommended. Each device should individually be installed with the given installation options below.

### **Horizontal Installation on the floor**

You could place the R-360 on the floor by 2 stands. Please make sure the surface is plane and the reliability of the floor is sufficient.



## Horizontal hanging with tilt bracket

You can attach the R-360 to a Truss or Pipe. Notice that the tilt Bracket (106mm) should face down from the hanging structure.

Use the centered holes in the Tilt Bracket. You can use the additional fix Omega Brackets to hang the device horizontal.

## Hanging Vertically “dropped”

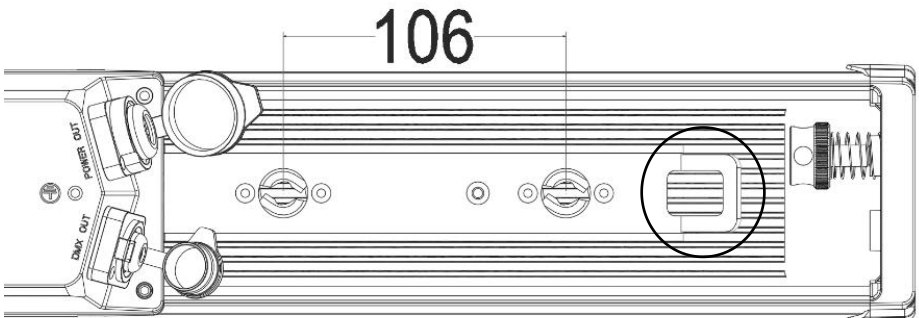
Use the vertical Adapter set (including Omega Bracket, optional accessory) to “drop” the R-360 from a rigging structure. Notice that we will release a detailed rigging manual for the different options shortly.

## Vertical Installation on the floor

Use the vertical Adapter (optional accessory) in combination with a base plate (optional accessory). Use the Small standing plate (optional accessory) if you only wish to install one R-360. If you want to install more than one device, screw the Small standing plate to a normal truss base plate. We have two kinds of standing plate, fixed and infinite rotating, for your options. Notice that we will release a detailed rigging manual for the different options shortly.

## Safety attachment

In any case of rigging the device attach the Safety rope to any of the dedicate d eyelets integrated into the sliding brackets.





(Length of Omega & Safety cable position)

## 6. Connecting AC Power

The fixture can operate on any 100–240 V, 50/60 Hz AC mains power supply. For permanent installation, have a qualified electrician wire the mains cable directly to a suitable branch circuit.

The junction's ingress protection (IP) rating must be suitable for the location.

For temporary installation, the mains cable may be fitted with a grounded connector intended for exterior use.

When installing standard type C circuit breakers there will be no limitations due to the fixture in-rush current. Due to the nominal current of the fixture, ensure that no more than:

8 fixtures are connected through the same type C, 16A circuit breaker.

The fixture must be grounded/earthed and be able to be isolated from AC power. The AC power supply must incorporate a fuse or circuit breaker for fault protection. After connecting the fixture to power, run the on-board test, using the “Mode→Auto” menu, to ensure that the fixture and each LED are functioning correctly. See “Control menu” on page 15.

**CAUTION:** Do not open the fixture to replace the supplied power cable, or connect the fixture to an electrical dimmer system, as this can damage it.

## 7. Connecting to a DMX control device

The fixture is controllable using a DMX control device and it can be connected using a DMX cable.

If using a cabled DMX system, connect the DMX in cable (with male 3-pin XLR

plug) and out cable (with female 3-pin XLR plug) to the DMX data link. Terminate the DMX out cable of the last fixture in the data link. For outdoor installations, use only IP-rated XLR connectors suitable for outdoor use.

The DMX-512 is widely used in intelligent lighting control, with a DMX-512 controller. connect several lights together, dmx in and dmx out, 3 pin XLR connectors: Pin 1: GND, Pin 2: Negative signal (-), Pin 3: Positive signal (+)

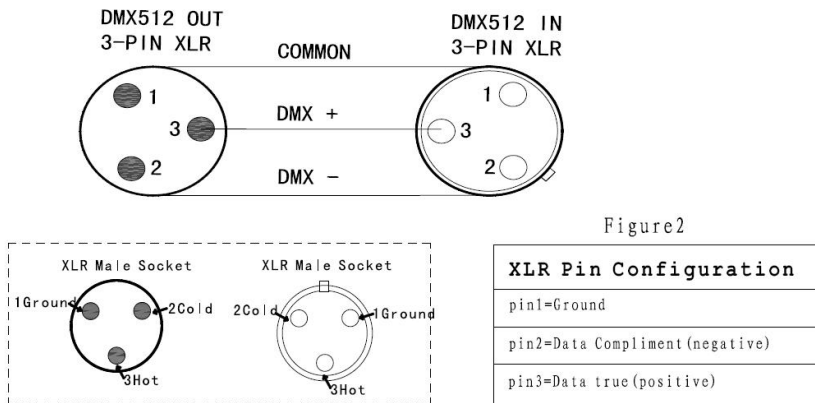


Figure2

## 8. Configuring the fixture for DMX control

### About DMX

The fixture can be controlled using signals sent by a DMX controller on a number of channels (which varies depending on the DMX mode that has been set).

The first channel used to receive data from a DMX control device is known as the DMX start address. Each fixture must have a DMX start address set. For example, if a fixture has a DMX address of 10 and it is in 4-channel DMX mode, then it uses channels 10, 11, 12 and 13. The following fixture in the DMX chain could then be set to a DMX address of 14. If two or more DMX fixtures of the same type have the same DMX address, then they will mimic each other's

behaviour. Incorrect settings will result in unpredictable responses to the lighting controller.

### **Setting the DMX address**

The DMX address can be seen on the main screen. To change the address setting, press the up arrow to increase the address, or the down arrow to decrease the setting. When the desired address is displayed, press Enter to save the setting.

Note that channel spacing is determined by the DMX mode.

See the “DMX protocols” on page 13 for specific DMX control values.

### **Setting the DMX mode**

Using the “DMX mode” menu available from the control panel, specify the DMX mode that provides the fixture controls that you require, confirm chosen mode by pressing ‘Enter’.

## **9. Cleaning**

To maintain optimal performance, regular cleaning is essential. Cleaning schedules will vary depending on the operating environment, and the installation should therefore be checked at frequent intervals within the first few weeks of operation to see whether cleaning is necessary. This procedure will allow you to assess cleaning requirements in your particular situation. Clean the fixture using a soft cloth dampened with a solution of water and a mild detergent. Do not use products that contain solvents, abrasives or caustic agents for cleaning, as they can cause damage to both hardware, cables and connectors.

## **10. DMX protocols**

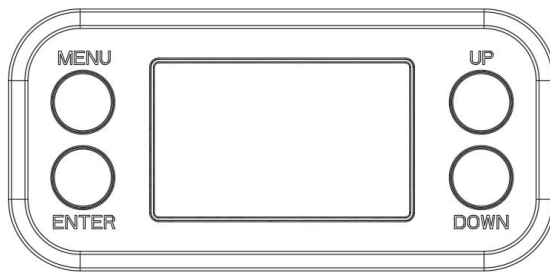
Configuring DMX is described "Setting the DMX mode" on page 16.

Channel			Value	Function
5CH	7CH	10CH		
1	1	1		<b>Dimmer 1:</b>
			0-255	Amber 1 dimmer
2	2	2		<b>Dimmer 2:</b>
			0-255	Amber 2 dimmer
3	3	3		<b>Dimmer 3:</b>
			0-255	Amber 3 dimmer
4	4	4		<b>Dimmer 4:</b>
			0-255	Amber 4 dimmer
5	5	5		<b>Dimmer 5:</b>
			0-255	Amber 5 dimmer
	6	6		<b>Dimmer all :</b>
			0-255	Amber 1-5 total dimmer
	7	7		<b>Strobe mode :</b>
			0-5	Empty
			6-42	Strobe mode 1 (1-20HZ)
			43-85	Strobe mode 2 (1-20HZ)
			86-128	Strobe mode 3 (1-20HZ)
			129-171	Strobe mode 4 (1-20HZ)
			172-214	Strobe mode 5 (1-20HZ)
215-255	Strobe mode 6 (1-20HZ)			
		8		<b>Auto :</b>
			0-9	Empty
			10-18	Macro 1
			19-36	Macro 2
			37-54	Macro 3
			55-72	Macro 4
			73-90	Macro 5

			91-108	Macro 6
			109-126	Macro 7
			127-144	Macro 8
			145-162	Macro 9
			163-180	Macro 10
			181-198	Macro 11
			199-216	Macro 12
			217-234	Macro 13
			235-255	Macro 14
		9		<b>Auto Speed :</b>
			0-255	Speed from slow to fast
		10		<b>Dimmer Speed :</b>
			0-9	Empty
			10-19	Speed 1
			20-29	Speed 2
			30-39	Speed 3
			40-49	Speed 4
			50-49	Speed 5
			60-69	Speed 6
			70-79	Speed 7
			80-89	Speed 8
			90-99	Speed 9
			100-109	Speed 10
			110-119	Speed 11
			120-129	Speed 12
			130-139	Speed 13
			140-149	Speed 14
			150-159	Speed 15
		160-169	Speed 16	
		170-179	Macro 17	

			180-189	Macro 18
			190-199	Macro 19
			200-209	Macro 20
			210-219	Speed 21
			220-229	Macro 22
			230-239	Macro 23
			240-249	Macro 24
			250-255	Macro 25

## 11. Control menu



### **Display:**

- MENU** To select the programming functions
- DOWN** To go backward in the selected functions
- UP** To go forward in the selected functions
- ENTER** To confirm the selected functions (**unlock screen**)

### **Operations:**

Press "**MENU**" to unlock screen, then press "**Menu**" to select 7 different functions, Press the "**UP** or **DOWN**"keys to increase or decrease the value, Press "**ENTER**" to save and Exit.

Level 1	Level 2	Description
<b>Address</b>	001-512	DMX address setting
<b>Ctrl Mode</b>	DMX_CH7	7 channels mode
	DMX_CH5	4 channels mode
	DMX_CH10	10 channels mode
	Auto 1	Auto 1
	Auto 2	Auto 2
	Auto 3	Auto 3
	Auto 4	Auto 4
<b>Adjust</b>	Amber1	Amber 1 manual dimmer
	Amber2	Amber 2 manual dimmer
	Amber3	Amber 3 manual dimmer
	Amber4	Amber 4 manual dimmer
	Amber5	Amber 5 manual dimmer
	CURVE	Dimmer curves from 1-5
	TEMP	Fixture temperature display
	Default	No/Yes?

## 12. Specification

### Light Source:

AC90-240V, 50/60HZ

360W power consumption

5 x 72W Amber LEDs

50,000 hours expected lifetime

120° beam angle

**Control:**

Each LED can be controlled individually  
DMX512, RDM, Master-Slave, Auto  
5/7/10 channels  
0-100% 8/16bit linear dimming  
1-20 times/second strobe

**Construction:**

Cast aluminum body  
IP65 rating  
2 x two quarter-turn locking points for two Omega brackets  
Bottom mount for safety wire  
Heat sink cooling system  
IP65 PowerCON True1 in and out, IP65 DMX in and out

**Size and Weight:**

Light size: 1004 x 95 x 130mm(LxWxH)  
Light Net Weight: 10KG  
Package size(2in1): 1330 x 290 x 200mm  
Gross weight(2in1): 23KG  
Case weight(4in1):77KG