

4 eye monochrome laser + 4 eye LED Full color matrix lamp

user's Guide



Note: this manual contains important information on how to install and use safely. Please read it carefully and install and operate according to the requirements. At the same time, please keep this manual properly for emergency use

Product Notes:

1. In order to ensure the service life of the product, the product should not be placed in a wet or leaky place, not to mention.
1 can work in an environment with temperature over 60 degrees
2. Do not place the product in a place that is easy to loosen or shake.
3. In order to avoid the danger of electric shock, the maintenance request of this product helps professional maintenance.
4. When the bulb is used, the change of power supply voltage should not exceed (+10%). If the voltage is too high, the life of the bulb will be shortened. If the voltage is too low, the light color of the bulb will be affected.
5. After power failure, it takes 5-10 minutes for the lamp to be fully cooled before it can be re-energized.
6. To ensure the normal use of this product, please read the instructions carefully.

Product and Functional Effect Introduction:

1. The light source shall be in accordance with the international standards for laser generator.
2. Semiconductor laser generator, laser light source, long service life and high stability
The operation is very simple, humanized design, dimming without flicker, jitter, etc. Suitable for photography, photography, television and other occasions with strict lighting requirements.
3. Classic effects: three-dimensional laser effects such as beam optical network, vast sea of clouds, thousands of light, amplification and reduction, space-time tunnel and so on.

Installation instructions for lamps:

The lamp can be placed horizontally, hanging diagonally and upside down, and you must pay attention to the installation method when hanging diagonally and upside down.

Fixing installation of lamps and lanterns: Before positioning the lamps and lanterns, ensure the stability of the installation site. When reversing the hanging installation, make sure that the lamps do not fall down on the support frame, and use safety ropes to pass through the support frame and the lamp handle. Carry out auxiliary hanging; to ensure safety. Prevent the lamp from falling and sliding. When the lamp is installed and debugged, pedestrians are prohibited from passing underneath. Regularly check whether the safety rope is worn and the hook screw is loose. If the hanging installation is unstable, the lamp will be caused The manufacturer does not bear any responsibility for all the consequences of the fall.

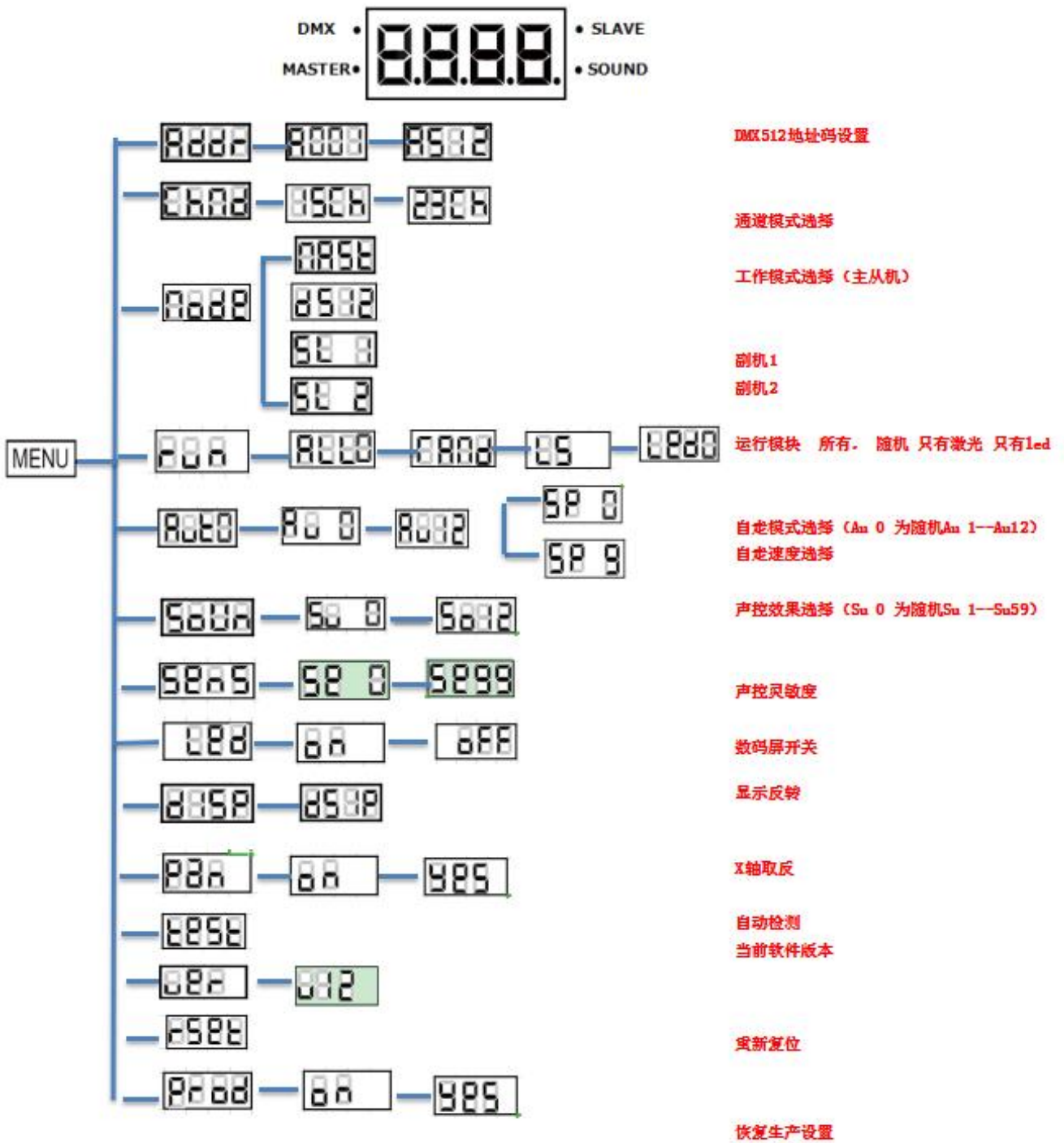
safety warning!

In order to ensure that you use the lamp safely and correctly, please read the following safety tips carefully before use to avoid unnecessary failures and injuries.

1. Non-professionals, do not disassemble the lamps and the accessories in the lamps without authorization.
2. AC power supply: Check whether the local power supply meets the product's rated voltage requirements.

3. This lamp is designed according to the type of electric shock protection. The lamp must be connected to a fully grounded power supply system, and the ground wire of the lamp must be connected to the ground wire of the power supply system. Do not use a power cord with a damaged insulation layer, and do not The power cord is connected to other wires.
4. When the lamp is installed and positioned, the minimum distance between any point on the surface of the lamp and any combustible and explosive objects is 10 meters, and the distance from the irradiated object is 2.5 meters. Please do not install the lamp directly on the surface of burnable materials.
5. The ambient temperature of the lamp: (-10 degrees + 40 degrees), the maximum temperature of the surface of the lamp is 80 degrees, and the lamp should be kept away from liquid substances and humid environments.
6. Before using the lamp, make sure that the lamp is well grounded, and do not install and remove any parts of the lamp with power.
7. When installing the lamp, the fixing screws must be tightened, with safety cables, and regular inspections.
8. It is recommended that the continuous working time of the lamp should not exceed 10 hours, and the interval between continuous starting of the lamp should not be less than 10 minutes. Otherwise, the lamp will not be triggered normally due to the overheating protection of the lamp.
9. During use, if the lamp is abnormal, stop using the lamp in time.
10. When the bulb reaches the rated service life, it should be replaced in time, otherwise there will be a dangerous accident of bubble explosion.
11. The rotating parts of the lamp and the pasted accessories must be checked regularly, and if there is looseness, the shaking should be reinforced in time to prevent accidents.
12. The lamp adopts strong wind cooling, which is easy to accumulate dust. It must be cleaned once a month, especially the heat dissipation vent, otherwise it will be blocked by the accumulation of dust, resulting in poor heat dissipation and abnormalities in the lamp.

Menu functions:



DMXChannel function

15CH		
Channel	DMX	function
1	000 - 255	Y-axis angle selection
2	000 - 255	Y-axis trim
3	000 - 255	Y-axis speed control
4	000 - 255	Master switch dimming laser and led 0% - 100%
5	000 - 007	Single control laser effective
	008 - 255	Laser full bright laser 0% - 100%
6	000 - 255	Color mcaro
7	000 - 255	Stroboscopic laser
8	000 - 255	Stroboscopic LED
9	000 - 014	Laser full on
	015 - 255	See color chase table
10	000 - 255	Laser effect speed from slow to fast (ch9 channel 015-255 only)
11	000 - 014	Single control selection
	015 - 255	See color chase table led effect
12	000 - 255	Led effect speed from slow to fast (ch11 channel 015-255 only)
13	000 - 007	No function
	008 - 022	Built in programming effect 01
	023 - 037	Built in programming effect 02
	038 - 052	Built in programming effect 03
	053 - 067	Built in programming effect 04
	068 - 082	Built in programming effect 05
	083 - 097	Built in programming effect 06
	098 - 112	Built in programming effect 07
	113 - 127	Built in programming effect 08
	128 - 142	Built in programming effect 09
	143 - 157	Built in programming effect 10
	158 - 172	Built in programming effect 11
173 - 187	Built in programming effect 12	

	188 - 202	Built in programming effect 13
	203 - 217	Built in programming effect 14
	218 - 232	Built in programming effect 15
	233 - 247	Built in programming effect 16
	248 - 255	Built in programmed voice trigger
14	000 - 255	Built in effect speed from slow to fast (ch13 channel 008-247 only)
15	000 - 127	No function
	128 - 255	Stay for 5 seconds and reset the motor

Laser corresponding effect value

Corresponding effect value of LED

Color Chase	000 - 014	No Function
	015 - 035	chase 1
	036 - 056	chase 2
	057 - 076	chase 3
	077 - 097	chase 4
	098 - 117	chase 5
	118 - 138	chase 6
	139 - 159	chase 7
	160 - 179	chase 8
	180 - 200	chase 9
	201 - 220	chase 10
	221 - 241	chase 11
	242 - 248	chase 12
	249 - 255	Ramdon 1`12

Color mcaro	000 - 007	off
	008 - 037	R
	038 - 067	G
	068 - 097	B
	098 - 127	RG
	128 - 157	RB
	158 - 187	GB
	188 - 255	RGB

23CH		
Channel	DMX	function
1	000 - 255	Y-axis angle selection
2	000 - 255	Y-axis trim
3	000 - 255	Y-axis speed control
4	000 - 255	Main switch dimming led and laser 0% - 100%
5	000 - 007	Single control LED valid
	008 - 255	Full led 0% - 100%
6	008 - 255	Laser color macro
7	000 - 255	Stroboscopic LED
8	000 - 255	Stroboscopic laser
9	000 - 014	LED full on
	015 - 255	See color chase table led effect
10	000 - 255	Led effect speed from slow to fast (ch9 channel 015-255 only)
11	000 - 014	Single control selection
	015 - 255	See color chase table laser effect
12	000 - 255	Laser effect speed from slow to fast (ch11 channel 015-255 only)
13	000 - 007	No function
	008 - 022	Built in programming effect 01
	023 - 037	Built in programming effect 02
	038 - 052	Built in programming effect 03
	053 - 067	Built in programming effect 04
	068 - 082	Built in programming effect 05
	083 - 097	Built in programming effect 06
	098 - 112	Built in programming effect 07
	113 - 127	Built in programming effect 08
	128 - 142	Built in programming effect 09
	143 - 157	Built in programming effect 10
	158 - 172	Built in programming effect 11
	173 - 187	Built in programming effect 12
	188 - 202	Built in programming effect 13
	203 - 217	Built in programming effect 14
218 - 232	Built in programming effect 15	

	233 - 247	Built in programming effect 16
	248 - 255	Built in programmed voice trigger
14	000 - 255	Built in effect speed from slow to fast (ch13 channel 008-247 only)
15	000-255	0% - 100% LED1 color macro
16	000-255	0% - 100% LED2 color macro
17	000-255	0% - 100% LED3 color macro
18	000-255	0% - 100% LED4 color macro
19	000-255	Laser 1 0% - 100% color macro
20	000-255	Laser 2 0% - 100% color macro
21	000-255	Laser 3 0% - 100% color macro
22	000-255	Laser 4 0% - 100% color macro
23	000 - 127	No function
	128 - 255	Stay for 5 seconds and reset the motor

Maintenance:

1. Eliminate the artificial laying of dust, dirt and fume into the lamp body as far as possible, and keep the laser performer clean as possible in the environment.
2. Please use professional glass cleaner regularly every month and wash the mirror with flannel cloth to ensure maximum laser brightness output and prolong the service life of the light source.

Warranty Notes

Warranty Period: This product is guaranteed for one year from the date of purchase.

Warranty clauses:

1. Faults arising from the normal use of the product during the warranty period may be repaired free of charge by presenting the warranty card and purchase ticket (photocopy) according to the content of the warranty clause.
2. During the warranty period, the following conditions will be implemented to provide paid maintenance services.
 - (1) Failure to produce a valid warranty card.
 - (2) There are omissions, alterations and no sales names on the warranty card.
 - (3) Faults and damages caused by irresistibility.
 - (4) Faults and damages caused in transportation and handling.
 - (5) Failure or damage caused by failure to follow the instructions.
 - (6) Failure or damage caused by disassembling, repairing or refitting products without authorization of the manufacturer or non-professional personnel. Failure caused by using control series not approved by our factory or matched by our factory.
 - (7) Consumables - Our factory reserves the right of final interpretation of this warranty clause.

Product warranty card

Product Name	Product Model

End users
Unit name: Address: Contacts: Telephone:

Date of manufacture	User Purchase Date

Retailer	
Contacts: Telephone:	Seal:

Note: The blanks mentioned above must be filled out and stamped truthfully by the end-users and sellers, otherwise they are not guaranteed.