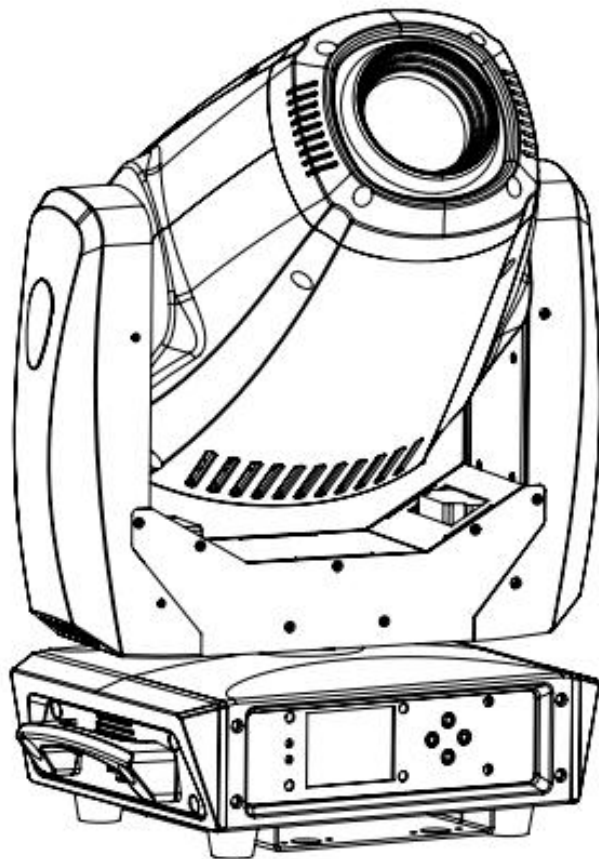


230W LED Spot Zoom Moving Head



USER MANUAL



KEEP THIS MANUAL FOR FUTURE NEEDS

Thank you for your patronage. We are confident that our excellent products and service can satisfy you. For your own safety, please read this user manual carefully before installing the device.

In order to install, operate, and maintain the lighting safety correctly. We suggest that the installation and operation should be done by the verified technician and follow the instruction strictly.



CAUTION! Keep this device away from rain and moisture!



CAUTION! Unplug mains lead before opening the housing.

Every person involved with the installation, operation and maintenance of this device has to:

- be qualified
- follow carefully the instructions of this manual

1. INTRODUCTION

Thank you for having chosen this professional moving head.

You will see you have acquired a powerful and versatile device.

Unpack the device. Inside the carton box you should find:

1. One XLR power cable
2. One user manual
3. Two pcs omega

Please check carefully that there is no damage caused by transportation.

Should there be any, please consult your dealer and don't install this device.

2 Mounting and installation

2.1 Cautions: for added protection mount the fixtures in areas outside walking paths ,seating areas,or in areas were the fixture might be reached by unauthorized personnel.

Before mounting the fixture to any surface, make sure that the installation area can hold a minimum point load of 10 times the device's weight.

Fixture installation must always be secured with a secondary safety attachment ,such as an appropriate safety cable.

Never stand directly below the device when mounting ,removing ,or servicing the fixture, from a ceiling,or set on a flat level surface (see illustration below).Be sure this fixture is kept at least 0.5m (1.5ft) away from any flammable (decoration etc.)

Always use and install the supplied safety cable as a safe cable as safety measure to prevent accidental damage and /or injury in the event the clamp fails.

2.2 Mounting points:

Overhead mounting requires extensive experience , including others calculating working load limits, a fine knowledge of the installation material being used ,and periodic safety inspection of all installation

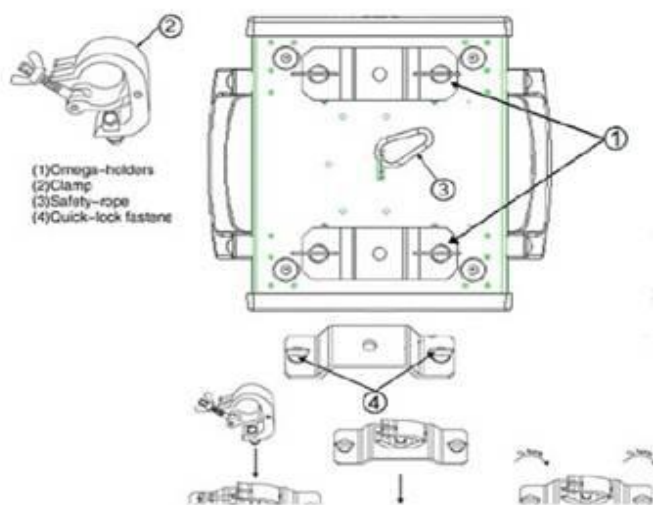
material and the fixture. If you lack these qualifications ,

Do not attempt the installation yourself ,improper installation can result in bodily injury.

Be sure to complete all rigging and installation procedures before connecting the main power cord to the appropriate wall outlet.

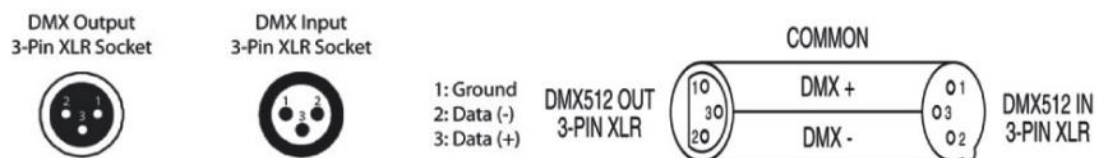
2.3 Clamp mounting :

The LED moving head provides a unique mounting bracket assembly that integrates the bottom of the base, the included ‘omega bracket’ and the safety cable rigging point in one unit (see the illustration below).When mounting this fixture to truss be sure to sere to secure an rated clamp to the included omega bracket using a M10 screw fitted through the center hole of the ‘omega bracket’.As an added safety measure be sure to attached at least one properly rated safety cable to the fixture using on of the safety cable rigging point integrated in the base assembly.



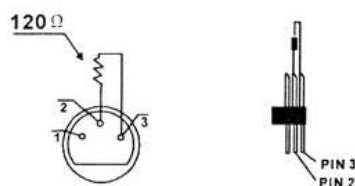
2.4 DMX-512 control connection

Connect the provided XLR cable to the female 3-pin XLR output of your controller and the other side to the male 3-pin XLR input of the moving head. You can chain multiple Moving head together through serial linking. The cable needed should be two core, screened cable with XLR input and output connectors. Please refer to the diagram below.



2.4 DMX-512 connection with DMX terminator

For installations where the DMX cable has to run a long distance or is in an electrically noisy environment, such as in a discotheque, it is recommended to use a DMX terminator. This helps in preventing corruption of the digital control signal by electrical noise. The DMX terminator is simply an XLR plug with a 120 resistor connected between pins 2 and 3, which is then plugged into the output XLR socket of the last fixture in the chain. Please see illustrations below.



3 TECHNICAL PARAMETERS

Input power:AC100-240V 50/60 Hz

Power consumption :260W

DMX channel:6/18 channels

Pan scan: 540°(16bit) Electric correction

Tilt scan: 220° (16bit) Electric correction

Color wheel: one color wheel, 7 kinds of color chips in one color wheel

Static Gobo: 7gobos+open

Rotation Gobo:7 gobos+open

Effect Wheel: two Effect prism,one Rotation six prism,one Rotation five prism effect move , Bi-directional rotation

Lens optical system mechanical focus .beam Zoom angle 11°-25°

Control mode:DMX512/Master-Slave/Auto run

Dimmer : 0- 100 %

Strobe:0-20 HZ

Display:LCD display

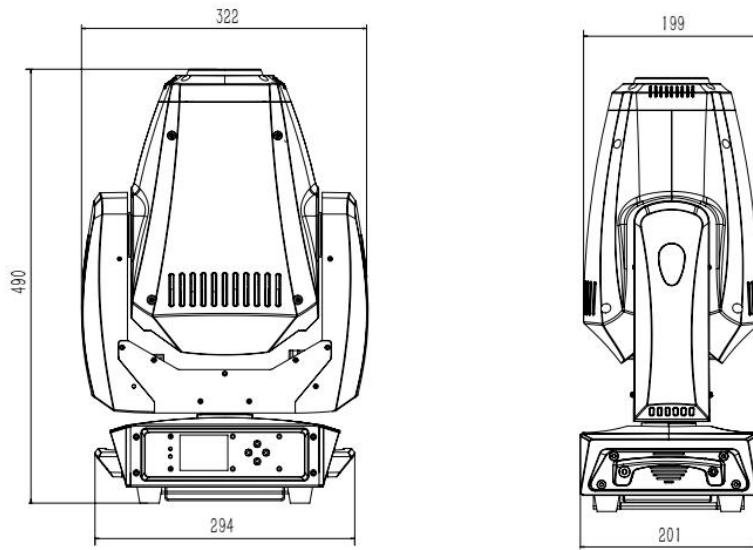
WEIGHT&SIZE

N.W: 13.05 KG

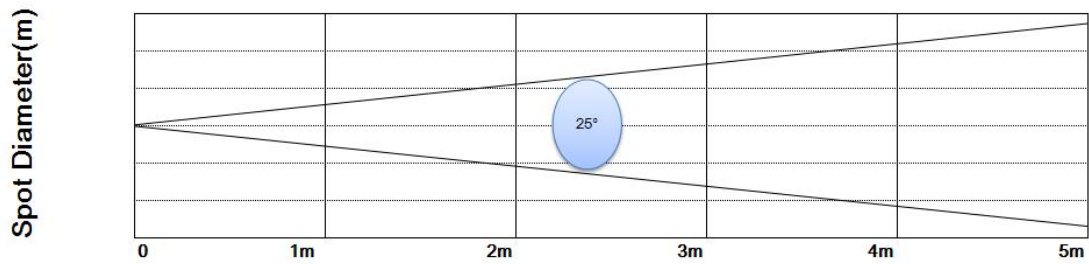
G.W: 15.35 KG

Packing size: 56*40*31.5cm

Dimension

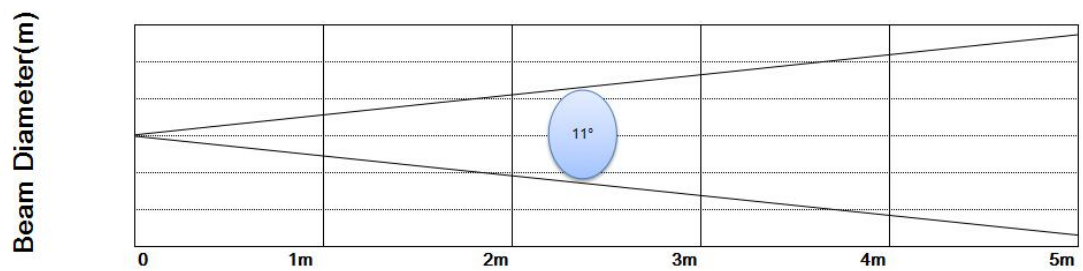


Lumen Chart



Lumen Chart

Distance (m)	2m	3m	5m
ALL (Lux)	9800	5500	2200



Lumen Chart

Distance (m)	2m	3m	5m
ALL (Lux)	26500	11500	5600

4 :MENU FUNCTION

MENU (Color Display 2.4'TFT)				
DMX Address	001~512			
Operating Mode	DMX 18 Ch			
	DMX 6 Ch			
		Perform Mode 1		
		Perform Mode 2		
		Perform Mode 3		
		Perform Mode 4		
		Perform Mode 5		
		Perform Mode 6		
		Perform Mode 7		
		Perform Mode 8		
	Auto			
	Sound			
		Perform Mode 1		
		Perform Mode 2		
		Perform Mode 3		
		Perform Mode 4		
		Perform Mode 5		
		Perform Mode 6		
		Perform Mode 7		
		Perform Mode 8		
Master Auto				
Master Sound				
Slave				
Language Setting	简体中文			
	English			
Advanced Setting	Pan Reverse			
	Tilt Reverse			
	Display Reverse			
	Reset Motor			
	Factory Reset			
	Home Position	Password		
		Pan	Code =018	
		Tilt	. =000	
		Dimmer	. =000	
		Color	. =000	
		Fixed Gobo	. =000	

		Rotation Gobo	. =000
		Focus	. =000
		Zoom	. =000
		Prism	. =000
		Rotation Gobo Wheel	. =000
	Mic Sensitive	0	
System Info	Current Time		
	Total Time		
	Current Mode		
	Temperature		
	Software Version		
Manual Control	Pan	. =000	
	Tilt	. =000	
	Pan/Tilt Speed	. =000	
	Dimmer	. =000	
	Strobe	. =000	
	Color	. =000	
	fixed Gobo	. =000	
	Rotation Gobo	. =000	
	Rotation Gobo Wheel	. =000	
	Focus	. =000	
	Prism	. =000	
	Prism Wheel	. =000	
	Zoom	. =000	

5:Function Mode

5.1 DMX address setting

With this function, you can adjust the desired DMX-address via the Control Board.

Select via the encoder.

Press the encoder, adjust the DMX address by turning the encoder.

Press the encoder to confirm.

Press the Mode/Esc-button in order return to the main menu.

Set DMX address

Display the DMX 512 value of each channel

With this function you can display the DMX 512 value of each channel.

The display automatically

shows the channel with a value changing.

5.2 Run Mode

The LED moving head have 6CH and 18CH, can receive the International DMX signal.

In the **【Run】** mode, you can chose **【Master】** mode [Sound Control] [Master Auto Run] [Master Sound Control] and **【Slave】** mode.

5.3 Language Setting

With this function, you can choose the Language between English and Chinese.

5.4 Advanced Set up

Pan Reverse

With this function you can reverse the Pan-movement.

Tilt Reverse

With this function you can reverse the Tilt 1-movement.

Display Reverse

With this function you can reverse the Tilt 2-movement.

Reset

With this function, you can reset the device via the Control Board. You can select the different reset function by turning the encoder.

Factory Reset

With this function, you can select restore factory set for ON or OFF, the default is OFF.

5.5 System State

With this function, you can know the On Time ,Accumulative Time, Current Run Mode ,Temperature and Software Version.

5.6 Manual Control

With this function ,you can adjust the pan and tilt and the move speed, also adjust the dimmer ,strobe and color.

6: DMX CHANNELS

6 channel definition table

6 CH	DMX Value	Function
1	000 - 255	X
2	000 - 255	Y
3	000-255	Dimmer(0-100%)
4	000-004	Shutter closed
	005-250	Strobe effect slow to fast
	251-255	Shutter open
5	000-007	Empty
	008-047	Auto Play 1
	048-087	Auto Play 2
	088-127	Auto Play 3
	128-167	Auto Play 4
	168-207	Auto Play 5
	208-247	Auto Play 6
	248-255	Color Gobo Sound Control
6	000-007	Empty
	008-032	X/Y auto run 1
	033-058	X/Y auto run 2
	059-084	X/Y auto run 3
	085-110	X/Y auto run 4
	111-136	X/Y auto run 5
	137-162	X/Y auto run 6
	163-188	X/Y auto run 7
	189-214	X/Y auto run 8
	215-240	X/Y auto run 9
	241-255	X/Y Sound Control

18 channel definition table

18 CH	DMX Value	Function
1	000-255	Dimmer(0-100%)
2	000-004	Shutter closed
	005-250	Strobe effect slow to fast
	251-255	Shutter open
3	000 - 255	X
4	000-255	X-Fine
5	000 - 255	Y
6	000-255	Y-Fine
7	000 - 255	XY SPEED
8	000-004	Open(White)
	005-013	White/Color1
	014-022	Color1
	023-031	Color1/Color2
	032-040	Color2
	041-049	Color2/Color3
	050-058	Color3
	059-067	Color3/Color4
	068-076	Color4
	077-085	Color4/Color5
	086-094	Color5
	095-103	Color5/Color6
	104-112	Color6
	113-121	Color6/Color7
	122-130	Color7
	131-139	Open(White)
	140-195	Forward rainbow effect from fast to slow
196-199	Rotation stop	
200-255	Backward rainbow effect from slow to fast	
9	000-007	Open(White)
	008-017	Gobo1
	018-027	Gobo2
	028-037	Gobo3
	038-047	Gobo4
	048-057	Gobo5
	058-067	Gobo6
	068-077	Gobo7

	078-087	Gobo1 Shake
	088-097	Gobo2 Shake
	098-107	Gobo3 Shake
	108-117	Gobo4 Shake
	118-127	Gobo5 Shake
	128-137	Gobo6 Shake
	138-147	Gobo7 Shake
	148-199	Forward rainbow effect from fast to slow
	200-203	Rotation stop
	204-255	Backward rainbow effect from slow to fast
10	000-007	Open(White)
	008-017	Gobo1
	018-027	Gobo2
	028-037	Gobo3
	038-047	Gobo4
	048-057	Gobo5
	058-067	Gobo6
	068-077	Gobo7
	078-087	Gobo1 Shake
	088-097	Gobo2 Shake
	098-107	Gobo3 Shake
	108-117	Gobo4 Shake
	118-127	Gobo5 Shake
	128-137	Gobo6 Shake
	138-147	Gobo7 Shake
	148-199	Forward rainbow effect from fast to slow
	200-203	Rotation stop
	204-255	Backward rainbow effect from slow to fast
11	000-007	Stop
	008-129	Forward Gobo2 Rotation from fast to slow
	130-133	Stop
	134-255	Backward Gobo2 Rotation from slow to fast
12	000-255	Focus
13	000-255	Zoom
14	000-007	Open(White)
	008-099	Prism1
	100-130	Open(White)
	131-255	Prism2
15	000-007	Stop

	008-129	Forward Prism Rotation from fast to slow
	130-133	Stop
	134-255	Backward Prism Rotation from slow to fast
16	000-007	Empty
	008-047	Auto Play 1
	048-087	Auto Play 2
	088-127	Auto Play 3
	128-167	Auto Play 4
	168-207	Auto Play 5
	208-247	Auto Play 6
	248-255	Color Gobo Sound Control
17	000-007	Empty
	008-032	X/Y auto run 1
	033-058	X/Y auto run 2
	059-084	X/Y auto run 3
	085-110	X/Y auto run 4
	111-136	X/Y auto run 5
	137-162	X/Y auto run 6
	163-188	X/Y auto run 7
	189-214	X/Y auto run 8
	215-240	X/Y auto run 9
	241-255	X/Y Sound Control
18	001-200	Auto run speed
	201-255	RESET(10S)